

## TIMER BTM-S

**Weidmüller Interface GmbH & Co. KG**  
 Klingenbergstraße 26  
 D-32758 Detmold  
 Germany

www.weidmueller.com

### Product image



Similar to illustration

### General ordering data

Version	BT-SERIES, Multifunction timing relay, with separate control input, , Number of contacts: 1, CO contact, AgNi 90/10, Rated control voltage: 24...230 V AC, 24...48 V DC, Continuous current: 5 A, Screw connection
Order No.	<a href="#">8647700000</a>
Type	TIMER BTM-S
GTIN (EAN)	4032248308903
Qty.	10 Stück
Delivery status	<b>This article will no longer be available in the future.</b>
Available until	2021-12-31

Erstellungsdatum June 7, 2023 11:43:24 AM CEST

## TIMER BTM-S

**Weidmüller Interface GmbH & Co. KG**

Klingenbergstraße 26

D-32758 Detmold

Germany

www.weidmueller.com

## Technische Daten

### Dimensions and weights

Depth	74 mm	Depth (inches)	2.913 inch
Height	80 mm	Height (inches)	3.15 inch
Width	17.5 mm	Width (inches)	0.689 inch
Net weight	76.2 g		

### Temperatures

Storage temperature	-25 °C...65 °C	Operating temperature	-10 °C...55 °C
Operating temperature, min.	-10 °C	Operating temperature, max.	55 °C
Humidity	35...85 % rel. humidity, no condensation		

### Rated data UL

Certificate No. (cURus)	E223474
-------------------------	---------

### Control side

Rated control voltage	24...230 V AC, 24...48 V DC	Power rating	≤ 0.4 VA, 1.6 W
Pull-in/drop-out voltage, typ.	20.4 V / 2.4 V AC 20.4 V / 2.4 V DC	Status indicator	LED green: supply voltage, LED orange: relay output on
Time ranges	0.1 s - 1.2 s, 1 s - 12 s, 0.1 min - 1.2 min, 1 min - 12 min, 0.1 h - 1.2 h, 1 h - 12 h, 10 h - 120 h	Setting tolerance	10 %
Max. reset time after voltage interruption	100 ms	Min. pulse duration	50 ms
Repeat accuracy	± 1 %		

### Load side

Rated switching voltage	250 V AC	Continuous current	5 A
Max. switching voltage, AC	250 V	AC switching capacity (resistive), max.	2500 VA
DC switching capacity (resistive), max.	120 W @ 24 V	Contact type	1 CO contact (AgNi 90/10)
Electrical service life, DC coil	10 <sup>5</sup> switching cycles (5A at 250 Vac, ohm load at 1800/h)	Mechanical service life	10 <sup>7</sup> switching cycles (no load, 1800/h)

### General data

Version	with separate control input	Rail	TS 35
Test button available	No	Mechanical switch position indicator	No
Colour	beige	UL 94 flammability rating	V-2

### Insulation coordination

Dielectric strength, Input/Output	2 kV <sub>eff</sub> / 1 min	Protection degree	IP20
-----------------------------------	-----------------------------	-------------------	------

### Further details of approvals / standards

Standards	UL508	Certificate No. (CSA)	219713
Certificate No. (cURus)	E223474		

## TIMER BTM-S

**Weidmüller Interface GmbH & Co. KG**  
 Klingenbergstraße 26  
 D-32758 Detmold  
 Germany

www.weidmueller.com

## Technische Daten

### Connection data

Wire connection method	Screw connection	Stripping length, rated connection	7 mm
Tightening torque, max.	0.98 Nm	Clamping range, rated connection	1.5 mm <sup>2</sup>
Clamping range, min.	0.5 mm <sup>2</sup>	Clamping range, max.	2.5 mm <sup>2</sup>
Wire connection cross section AWG, min.	AWG 20	Wire connection cross section AWG, max.	AWG 14
Wire cross-section, solid, min.	0.5 mm <sup>2</sup>	Wire cross-section, solid, max.	2.5 mm <sup>2</sup>
Wire connection cross section, finely stranded, min.	0.5 mm <sup>2</sup>	Wire connection cross section, finely stranded, max.	2.5 mm <sup>2</sup>
Wire connection cross-section, finely stranded with wire-end ferrules DIN 46228/4, min.	0.5 mm <sup>2</sup>	Wire connection cross-section, finely stranded with wire-end ferrules DIN 46228/4, max.	2.5 mm <sup>2</sup>
Conductor cross-section, flexible, AEH (DIN 46228-1), min.	0.5 mm <sup>2</sup>	Conductor cross-section, flexible, AEH (DIN 46228-1), max.	2.5 mm <sup>2</sup>
Wire connection cross section, finely stranded, two clampable wires, min.	0.5 mm <sup>2</sup>	Wire cross-section, finely stranded, two clampable wires, max.	1.5 mm <sup>2</sup>
Blade size	size PH1		

### Classifications

ETIM 6.0	EC001439	ETIM 7.0	EC001439
ETIM 8.0	EC001439	ECLASS 9.0	27-37-16-05
ECLASS 9.1	27-37-16-05	ECLASS 10.0	27-37-16-05
ECLASS 11.0	27-37-16-05	ECLASS 12.0	27-37-16-05

### Environmental Product Compliance

REACH SVHC Lead 7439-92-1

### Approvals

Approvals



ROHS	Conform
UL File Number Search	UL Website
Certificate No. (cURus)	E223474

### Downloads

Approval/Certificate/Document of Conformity	<a href="#">EU Konformitätserklärung / EU Declaration of Conformity</a>
Engineering Data	<a href="#">CAD data – STEP</a>
Engineering Data	<a href="#">WSCAD, EPLAN</a>
User Documentation	<a href="#">Time functions BTM-Timer</a>
Catalogues	<a href="#">Catalogues in PDF-format</a>
Brochures	

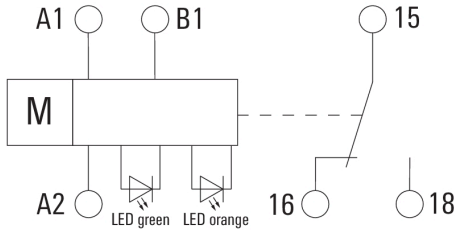
**TIMER BTM-S**

**Weidmüller Interface GmbH & Co. KG**  
 Klingenbergstraße 26  
 D-32758 Detmold  
 Germany

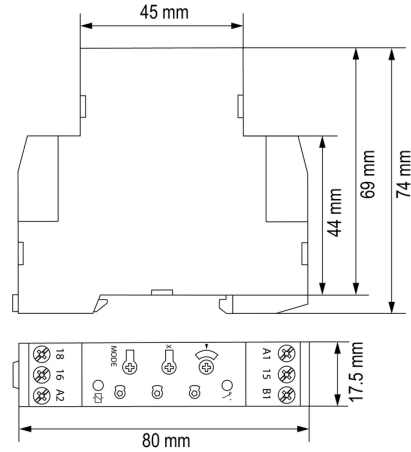
www.weidmueller.com

**Zeichnungen**

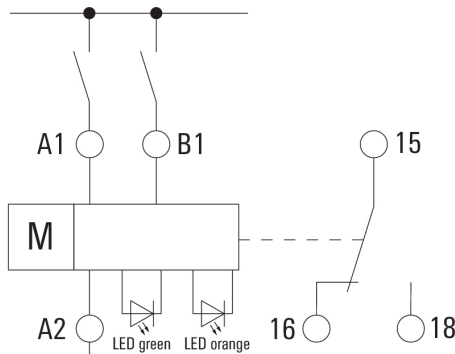
**Wiring diagram**



**Dimensional drawing**

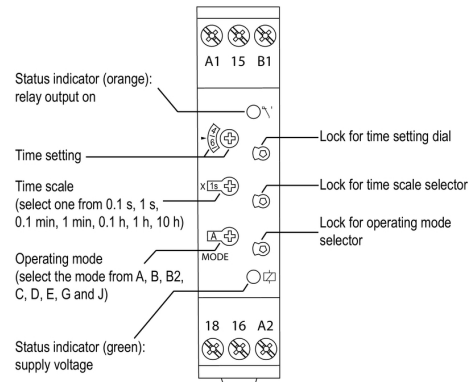


**Example of use**



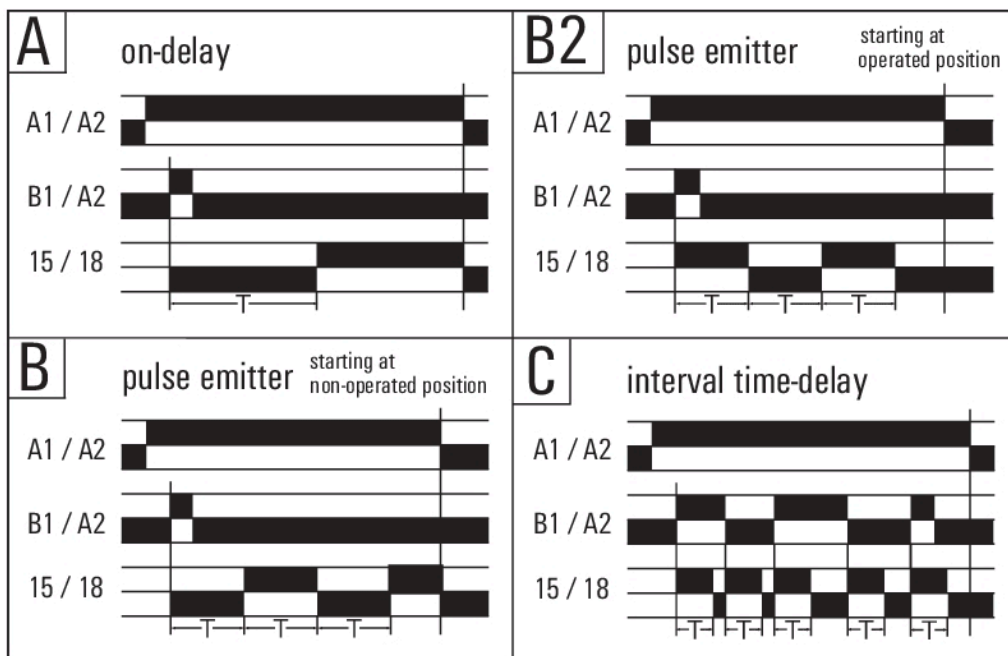
Wiring example

**Dimensional drawing**



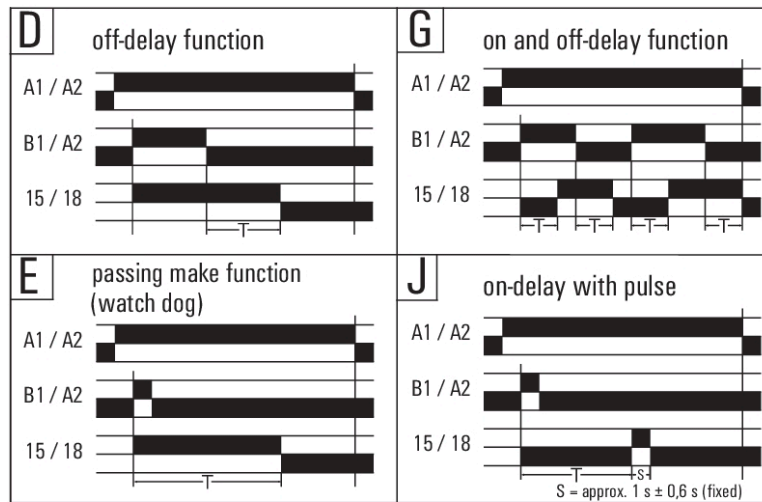
Detailed drawing

**Graph**



Time functions

**Graph**



Time functions