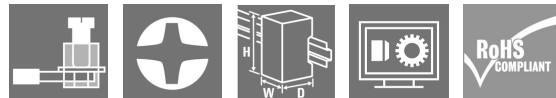


TIMER BTTT-S

Weidmüller Interface GmbH & Co. KG
 Klingenbergstraße 26
 D-32758 Detmold
 Germany

www.weidmueller.com

Product image



General ordering data

Version	BT-SERIES, Clock generator, Number of contacts: 1, CO contact, AgNi 90/10, Rated control voltage: 24...230 V AC, 24...48 V DC, Continuous current: 5 A, Screw connection
Order No.	8647740000
Type	TIMER BTTT-S
GTIN (EAN)	403224830894 1
Qty.	10 Stück
Delivery status	This article will no longer be available in the future.
Available until	2021-12-31
Alternative product	2697260000

Erstellungs-Datum June 1, 2023 11:43:59 AM CEST

TIMER BTTT-S

Weidmüller Interface GmbH & Co. KG
 Klingenbergstraße 26
 D-32758 Detmold
 Germany

www.weidmueller.com

Technische Daten

Dimensions and weights

Depth	74 mm	Depth (inches)	2.913 inch
Height	80 mm	Height (inches)	3.15 inch
Width	17.5 mm	Width (inches)	0.689 inch
Net weight	77.9 g		

Temperatures

Storage temperature	-25 °C...65 °C	Operating temperature	-10 °C...55 °C
Operating temperature, min.	-10 °C	Operating temperature, max.	55 °C
Humidity	35...85 % rel. humidity, no condensation		

Rated data UL

Certificate No. (cURus)	E223474
-------------------------	---------

Control side

Rated control voltage	24...230 V AC, 24...48 V DC	Power rating	≤ 0.4 VA, 1.6 W
Pull-in/drop-out voltage, typ.	20.4 V / 2.4 V AC 20.4 V / 2.4 V DC	Status indicator	Duo-LED orange lights permanently: relay closed, Duo-LED green: relay output off
Time ranges	0.1 s - 1.2 s, 1 s - 12 s, 0.1 min - 1.2 min, 1 min - 12 min, 0.1 h - 1.2 h, 1 h - 12 h	Setting tolerance	10 %
Max. reset time after voltage interruption	100 ms	Min. pulse duration	50 ms
Repeat accuracy	± 1 %		

Load side

Rated switching voltage	250 V AC	Continuous current	5 A
Max. switching voltage, AC	250 V	AC switching capacity (resistive), max.	2500 VA
DC switching capacity (resistive), max.	120 W @ 24 V	Contact type	1 CO contact (AgNi 90/10)
Electrical service life, DC coil	10 ⁵ switching cycles (5A at 250 Vac, ohm load at 1800/h)	Mechanical service life	10 ⁷ switching cycles (no load, 1800/h)

General data

Rail	TS 35	Test button available	No
Mechanical switch position indicator	No	Colour	beige
UL 94 flammability rating	V-2		

Insulation coordination

Dielectric strength, Input/Output	2 kV _{eff} / 1 min	Protection degree	IP20
-----------------------------------	-----------------------------	-------------------	------

Further details of approvals / standards

Standards	UL508	Certificate No. (CSA)	219713
Certificate No. (cURus)	E223474		

Erstellungs-Datum June 1, 2023 11:43:59 AM CEST

Katalogstand 26.05.2023 / Technische Änderungen vorbehalten

TIMER BTTT-S

Weidmüller Interface GmbH & Co. KG
 Klingenbergstraße 26
 D-32758 Detmold
 Germany

www.weidmueller.com

Technische Daten

Connection data

Wire connection method	Screw connection	Stripping length, rated connection	7 mm
Tightening torque, max.	0.98 Nm	Clamping range, rated connection	1.5 mm ²
Clamping range, min.	0.5 mm ²	Clamping range, max.	2.5 mm ²
Wire connection cross section AWG, min.	AWG 20	Wire connection cross section AWG, max.	AWG 14
Wire cross-section, solid, min.	0.5 mm ²	Wire cross-section, solid, max.	2.5 mm ²
Wire connection cross section, finely stranded, min.	0.5 mm ²	Wire connection cross section, finely stranded, max.	2.5 mm ²
Wire connection cross-section, finely stranded with wire-end ferrules DIN 46228/4, min.	0.5 mm ²	Wire connection cross-section, finely stranded with wire-end ferrules DIN 46228/4, max.	2.5 mm ²
Conductor cross-section, flexible, AEH (DIN 46228-1), min.	0.5 mm ²	Conductor cross-section, flexible, AEH (DIN 46228-1), max.	2.5 mm ²
Wire connection cross section, finely stranded, two clampable wires, min.	0.5 mm ²	Wire cross-section, finely stranded, two clampable wires, max.	1.5 mm ²
Blade size	size PH1		

Classifications

ETIM 6.0	EC001439	ETIM 7.0	EC001439
ETIM 8.0	EC001439	ECLASS 9.0	27-37-16-05
ECLASS 9.1	27-37-16-05	ECLASS 10.0	27-37-16-05
ECLASS 11.0	27-37-16-05	ECLASS 12.0	27-37-16-05

Environmental Product Compliance

REACH SVHC Lead 7439-92-1

Approvals

Approvals



ROHS	Conform
UL File Number Search	UL Website
Certificate No. (cURus)	E223474

Downloads

Approval/Certificate/Document of Conformity	EU Konformitätserklärung / EU Declaration of Conformity
Engineering Data	CAD data – STEP
Engineering Data	WSCAD, EPLAN
User Documentation	Time functions BTTT-Timer
Catalogues	Catalogues in PDF-format
Brochures	

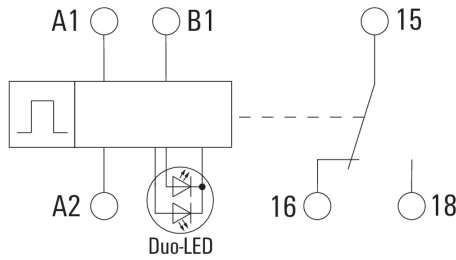
TIMER BTTT-S

Weidmüller Interface GmbH & Co. KG
 Klingenbergstraße 26
 D-32758 Detmold
 Germany

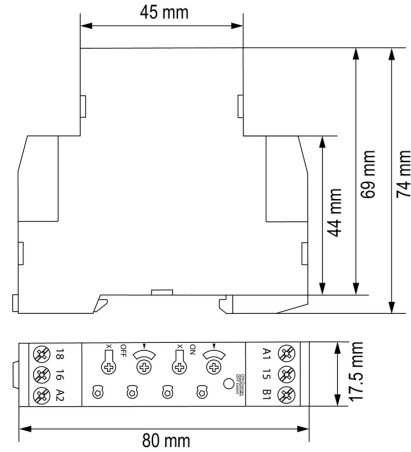
www.weidmueller.com

Zeichnungen

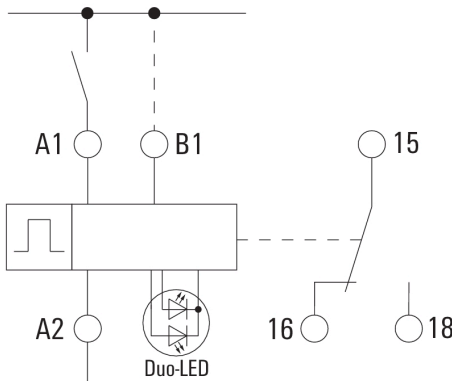
Wiring diagram



Dimensional drawing

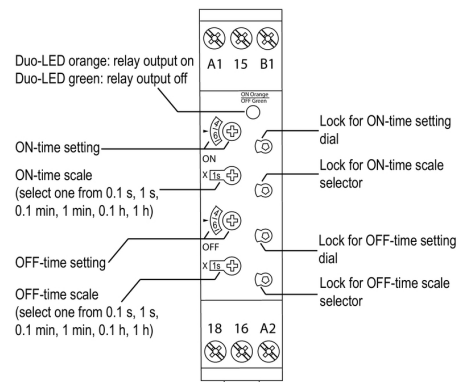


Example of use



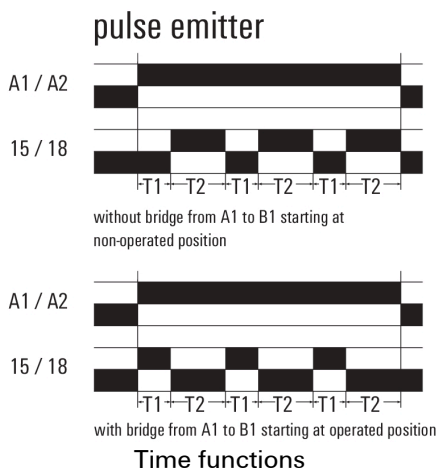
Wiring example

Dimensional drawing



Detailed drawing

Graph



Time functions