

RCM270110

Weidmüller Interface GmbH & Co. KG
 Klingenbergstraße 26
 D-32758 Detmold
 Germany

www.weidmueller.com

Product image



Similar to illustration

Individual relays within the RIDERSERIES RCM

- 2 CO contacts
- Optional AC or DC coils
- With test button

General ordering data

| | |
|------------|---|
| Version | RIDERSERIES RCM, Relay, Number of contacts: 2, CO contact AgNi, Rated control voltage: 110 V DC, Continuous current: 12 A, Plug-in connection, Test button available: Yes |
| Order No. | 8689900000 |
| Type | RCM270110 |
| GTIN (EAN) | 4032248360574 |
| Qty. | 10 Stück |

Erstellungs-Datum June 1, 2023 11:47:48 AM CEST

Katalogstand 26.05.2023 / Technische Änderungen vorbehalten

RCM270110

Weidmüller Interface GmbH & Co. KG
 Klingenbergstraße 26
 D-32758 Detmold
 Germany

www.weidmueller.com

Technische Daten

Dimensions and weights

| | | | |
|------------|---------|-----------------|------------|
| Depth | 29 mm | Depth (inches) | 1.142 inch |
| Height | 28 mm | Height (inches) | 1.102 inch |
| Width | 22.5 mm | Width (inches) | 0.886 inch |
| Net weight | 28.6 g | | |

Temperatures

| | | | |
|-----------------------------|--|-----------------------------|----------------|
| Storage temperature | -40 °C...85 °C | Operating temperature | -40 °C...70 °C |
| Operating temperature, min. | -40 °C | Operating temperature, max. | 70 °C |
| Humidity | 40 °C / 93 % rel. humidity, no condensation | | |

Rated data UL

| | |
|-------------------------|---------|
| Certificate No. (cURus) | E522350 |
|-------------------------|---------|

Control side

| | | | |
|-----------------------|----------------|--------------------------------|--------------------|
| Rated control voltage | 110 V DC | Rated current DC | 6.8 mA |
| Power rating | 750 mW | Pull-in/drop-out voltage, typ. | 82.5 V / 11.5 V DC |
| Coil resistance | 16133 Ω ± 15 % | Coil tolerance | 15 % |
| Status indicator | No | | |

Load side

| | | | |
|---|--|---|--|
| Rated switching voltage | 240 V AC | Continuous current | 12 A |
| Max. switching frequency at rated load | 0.1 Hz | Inrush current | 24 A / 20 ms |
| AC switching capacity (resistive), max. | 3000 VA | DC switching capacity (resistive), max. | 288 W @ 24 V |
| Switch-on delay | ≤ 15 ms | Switch-off delay | ≤ 10 ms |
| Contact type | 2 CO contact (AgNi) | Mechanical service life | AC coil 20 x 10 ⁶ switching cycles, DC coil 30 x 10 ⁶ switching cycles |
| Min. switching power | 1 mA @ 24 V, 10 mA @ 12 V, 100 mA @ 5 V | | |

General data

| | | | |
|--------------------------------------|-----|------------------------|--|
| Test button available | Yes | Version of test button | Lockable test button, Momentary test button |
| Mechanical switch position indicator | Yes | Colour | Transparent |
| UL 94 flammability rating | V-2 | | |

Insulation coordination

| | | | |
|--|--------------------------------|---|--------------------------------|
| Rated voltage | 250 V | Pollution severity | 2 |
| Surge voltage category | III | Insulating material group | IIIa |
| Clearance and creepage distances for control side - load side | ≥ 4 mm | Dielectric strength for control side - load side | 2.5 kV _{eff} / 1 Min. |
| Dielectric strength of neighbouring contacts | 2.5 kV _{eff} / 1 Min. | Dielectric strength of open contact | 1.2 kV _{eff} / 1 min. |
| Impulse withstand voltage | 5 kV (1.2/50 μs) | Protection degree | IP20 |

RCM270110

Weidmüller Interface GmbH & Co. KG
 Klingenbergstraße 26
 D-32758 Detmold
 Germany

www.weidmueller.com

Technische Daten

Further details of approvals / standards

| | | | |
|-------------------------|----------------|-----------------------|----------|
| Certificate No. (CSA) | 249409-2426937 | Certificate No. (VDE) | 40011762 |
| Certificate No. (cURus) | E522350 | | |

Connection data

| | |
|------------------------|--------------------|
| Wire connection method | Plug-in connection |
|------------------------|--------------------|

Classifications

| | | | |
|-------------|-------------|-------------|-------------|
| ETIM 6.0 | EC001437 | ETIM 7.0 | EC001437 |
| ETIM 8.0 | EC001437 | ECLASS 9.0 | 27-37-16-01 |
| ECLASS 9.1 | 27-37-16-01 | ECLASS 10.0 | 27-37-16-01 |
| ECLASS 11.0 | 27-37-16-01 | ECLASS 12.0 | 27-37-16-01 |

Approvals

Approvals



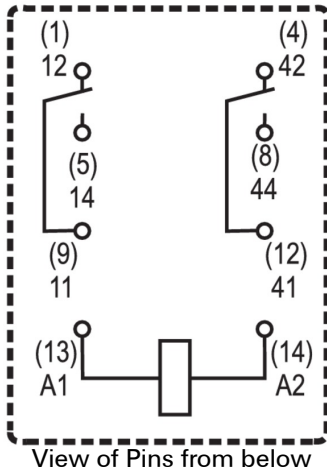
| | |
|-------------------------|------------|
| ROHS | Conform |
| UL File Number Search | UL Website |
| Certificate No. (cURus) | E522350 |

Downloads

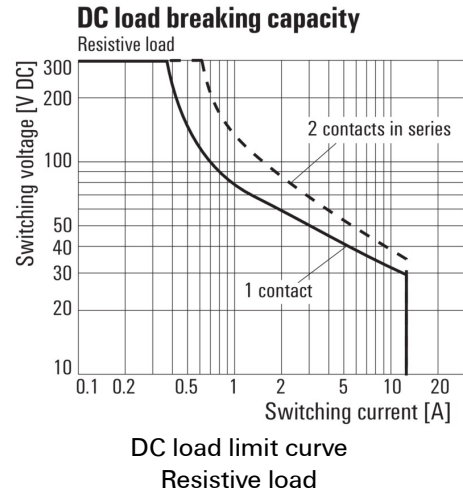
| | |
|---|---|
| Approval/Certificate/Document of Conformity | EU Konformitätserklärung / EU Declaration of Conformity |
| Engineering Data | CAD data – STEP |
| Engineering Data | WSCAD, EPLAN |
| Catalogues | Catalogues in PDF-format |
| Brochures | |

Zeichnungen

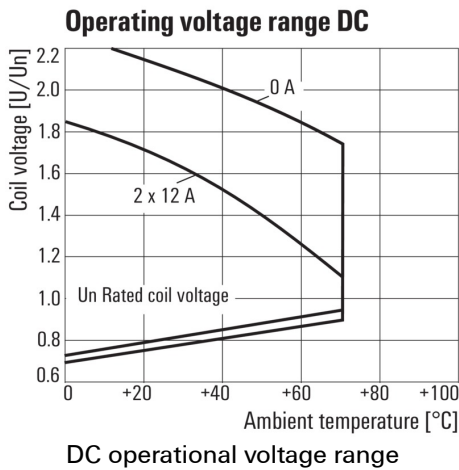
Wiring diagram



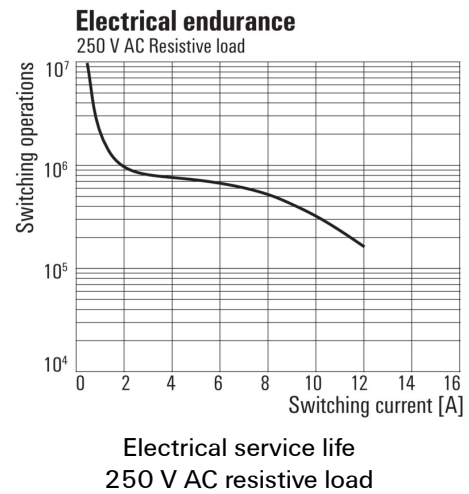
Graph



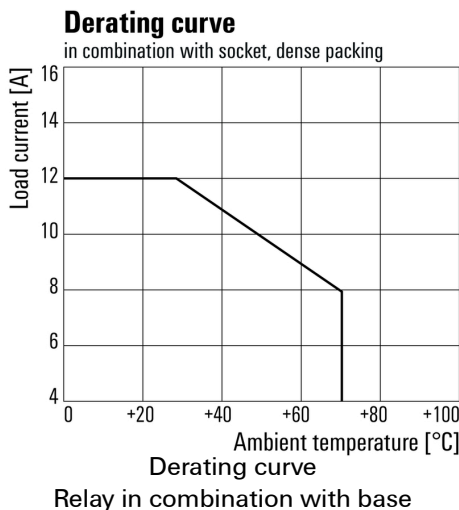
Graph



Graph



Graph



Dimensional drawing

