

RCL114006**Weidmüller Interfaces GmbH & Co. KG**

Postfach 3030

32760 Detmold

Tel. +49 5231 14-0

Fax. +49 5231 14-2083

info@weidmueller.com

www.weidmueller.com

Product image

Similar to illustration

General ordering data

Version	RIDERSERIES RCL, Relay, Number of contacts: 1, CO contact AgNi, Rated control voltage: 6 V DC, Continuous current: 12 A, Plug-in connection, Test button available: No
Order No.	8693400000
Type	RCL114006
GTIN (EAN)	4032248364848
Qty.	20 Stück

RCL114006

Weidmüller Interfaces GmbH & Co. KG

Postfach 3030

32760 Detmold

Tel. +49 5231 14-0

Fax. +49 5231 14-2083

info@weidmueller.com

Technische Daten

www.weidmueller.com

0.618 inch

1.142 inch

0.5 inch

Temperatures

Storage temperature -40 °C...85 °C

Operating temperature -40 °C...70 °C

Operating temperature, min. -40 °C

Operating temperature, max. 70 °C

Humidity 40 °C / 93 % rel. humidity, no condensation

Rated data UL

Certificate No. (cURus) E522350

Control side

Rated control voltage 6 V DC

Power rating 400 mW

Coil resistance $90 \Omega \pm 10 \%$

Status indicator No

Load side

Rated switching voltage 250 V AC

Max. switching frequency at rated load 0.1 Hz

AC switching capacity (resistive), max. 3000 VA

Switch-on delay ≤ 8 ms

Contact type 1 CO contact (AgNi)

Min. switching power 1 mA @ 24 V, 10 mA @ 12 V, 100 mA @ 5 V

Continuous current 12 A

Inrush current 25 A / 4 s

DC switching capacity (resistive), max. 288 W @ 24 V

Switch-off delay ≤ 6 ms

Mechanical service life AC coil 10×10^6 switching cycles, DC coil 30×10^6 switching cycles

General data

Test button available No

Colour Transparent

Mechanical switch position indicator No

UL 94 flammability rating V-2

Insulation coordination

Rated voltage 250 V

Surge voltage category III

Creepage and clearance distance input - output ≥ 10 mm

Dielectric strength of open contact 1 kV_{eff} / 1 min

Pollution severity 2

Insulating material group IIIa

Dielectric strength, Input/Output 5 kV_{eff} / 1 min

Protection degree IP20

Further details of approvals / standards

Standards IEC 61810-1, UL508

Certificate No. (VDE) 40020589

Certificate No. (CSA) 249409-2426937

Certificate No. (cURus) E522350

Erstellungs-Datum June 1, 2023 12:00:10 PM CEST

Katalogstand 26.05.2023 / Technische Änderungen vorbehalten

RCL114006

Weidmüller Interfaces GmbH & Co. KG

Postfach 3030

32760 Detmold

Tel. +49 5231 14-0

Fax. +49 5231 14-2083

info@weidmueller.com

www.weidmueller.com

Technische Daten

Connection data

Wire connection method	Plug-in connection	Pitch in mm (P)	2.5 mm
------------------------	--------------------	-----------------	--------

Classifications

ETIM 6.0	EC001437	ETIM 7.0	EC001437
ETIM 8.0	EC001437	ECLASS 9.0	27-37-16-01
ECLASS 9.1	27-37-16-01	ECLASS 10.0	27-37-16-01
ECLASS 11.0	27-37-16-01	ECLASS 12.0	27-37-16-01

Approvals

Approvals



ROHS	Conform
UL File Number Search	UL Website
Certificate No. (cURus)	E522350

Downloads

Engineering Data	CAD data – STEP
Engineering Data	WSCAD, EPLAN
Catalogues	Catalogues in PDF-format

RCL114006

Weidmüller Interfaces GmbH & Co. KG

Postfach 3030

32760 Detmold

Tel. +49 5231 14-0

Fax. +49 5231 14-2083

info@weidmueller.com

www.weidmueller.com

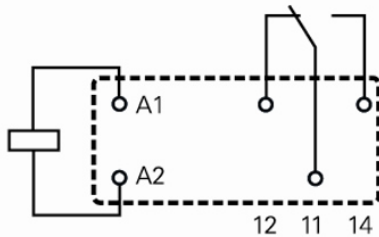
Zeichnungen

Wiring diagram

Circuit diagram

View on pins

1 C/O changeover contacts



RCL114006

Weidmüller Interfaces GmbH & Co. KG

Postfach 3030

32760 Detmold

Tel. +49 5231 14-0

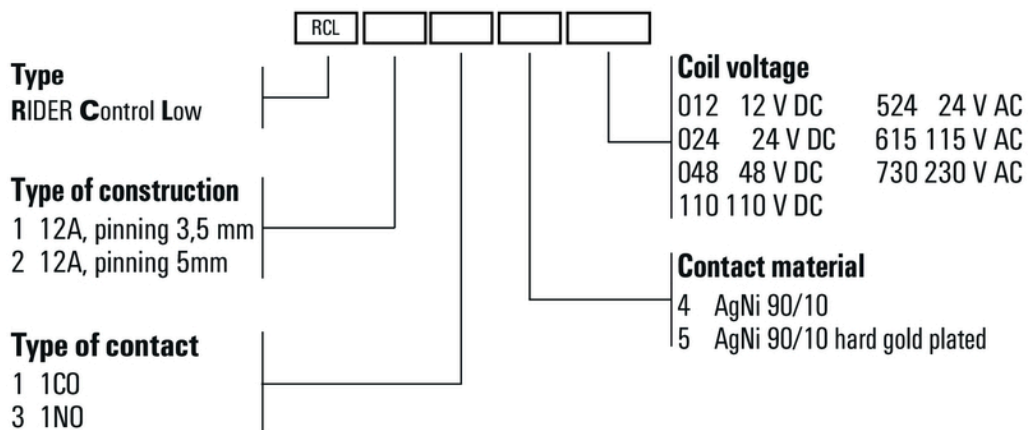
Fax. +49 5231 14-2083

info@weidmueller.com

www.weidmueller.com

Zeichnungen

Miscellaneous



Type codes