

## SCM-I 4CO P

**Weidmüller Interface GmbH & Co. KG**  
 Klingenbergstraße 26  
 D-32758 Detmold  
 Germany

www.weidmueller.com

### Product image



relays sockets for RIDERSERIES RCM relays

- 2, 3 and 4 CO contacts
- Screw and PUSH IN connection
- Standard and low heights

### General ordering data

Version	RIDERSERIES RCM, Relay socket, Number of contacts: 4, CO contact, Continuous current: 6 A, PUSH IN
Order No.	<a href="#">8869430000</a>
Type	SCM-I 4CO P
GTIN (EAN)	4032248614288
Qty.	10 Stück

Erstellungs-Datum June 1, 2023 12:13:08 PM CEST

Katalogstand 26.05.2023 / Technische Änderungen vorbehalten

## SCM-I 4CO P

**Weidmüller Interface GmbH & Co. KG**  
 Klingenbergstraße 26  
 D-32758 Detmold  
 Germany

www.weidmueller.com

## Technische Daten

### Dimensions and weights

Depth	48.3 mm	Depth (inches)	1.902 inch
Height	98 mm	Height (inches)	3.858 inch
Width	28 mm	Width (inches)	1.102 inch
Net weight	6.1 g		

### Temperatures

Storage temperature	-40 °C...70 °C	Operating temperature	-40 °C...70 °C
Operating temperature, min.	-40 °C	Operating temperature, max.	70 °C
Humidity	40 °C / 93 % rel. humidity, no condensation		

### Rated data UL

Certificate No. (cURus)	E223759
-------------------------	---------

### Load side

Rated switching voltage	250 V AC	Continuous current	6 A
Max. switching voltage, AC	250 V	Contact type	4 CO contact

### General data

Rail	TS 35	Colour	black
UL 94 flammability rating	V-0		

### Insulation coordination

Rated voltage	250 V	Pollution severity	2
Surge voltage category	III	Insulating material group	IIIa
Clearance and creepage distances for control side - load side	≥ 4 mm	Dielectric strength for control side - load side	2.5 kV <sub>eff</sub> / 1 Min.
Type of isolation at input and output	Basic insulation	Dielectric strength of neighbouring contacts	2 kV <sub>eff</sub> / 1 min
Type of isolation at neighbouring contacts	Basic insulation	Dielectric strength of open contact	1.2 kV <sub>eff</sub> / 1 min.
Protection degree	IP20		

### Further details of approvals / standards

Certificate No. (CSA)	249409-2295474	Certificate No. (VDE)	40011762
Certificate No. (cURus)	E223759		

## SCM-I 4CO P

**Weidmüller Interface GmbH & Co. KG**

Klingenbergstraße 26

D-32758 Detmold

Germany

www.weidmueller.com

## Technische Daten

### Connection data

Wire connection method	PUSH IN	Stripping length, rated connection	12 mm
Clamping range, rated connection	1.5 mm <sup>2</sup>	Clamping range, min.	0.75 mm <sup>2</sup>
Clamping range, max.	1.5 mm <sup>2</sup>	Wire cross-section, solid, min.	0.75 mm <sup>2</sup>
Wire cross-section, solid, max.	1.5 mm <sup>2</sup>	Wire cross-section, solid, max. (AWG)	AWG 16
Wire connection cross section, finely stranded, min.	0.75 mm <sup>2</sup>	Wire connection cross section, finely stranded, max.	1.5 mm <sup>2</sup>
Wire cross-section, finely stranded, max. (AWG)	AWG 16	Wire connection cross-section, finely stranded with wire-end ferrules DIN 46228/4, min.	0.75 mm <sup>2</sup>
Wire connection cross-section, finely stranded with wire-end ferrules DIN 46228/4, max.	0.75 mm <sup>2</sup>	Conductor cross-section, flexible, AEH (DIN 46228-1), min.	0.75 mm <sup>2</sup>
Conductor cross-section, flexible, AEH (DIN 46228-1), max.	1 mm <sup>2</sup>	Blade size	0.6 x 3.5 mm

### Classifications

ETIM 6.0	EC001456	ETIM 7.0	EC001456
ETIM 8.0	EC001456	ECLASS 9.0	27-37-16-03
ECLASS 9.1	27-37-16-03	ECLASS 10.0	27-37-16-03
ECLASS 11.0	27-37-16-03	ECLASS 12.0	27-37-16-03

### Approvals

Approvals



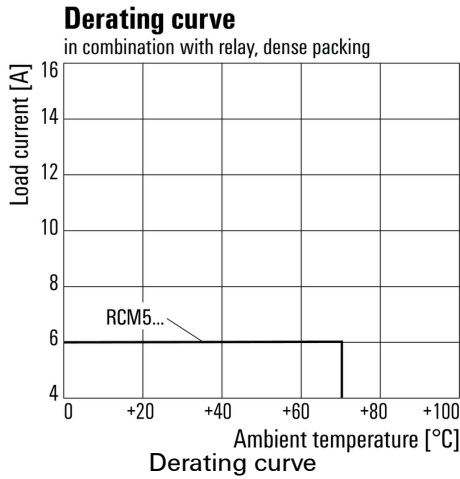
ROHS	Conform
UL File Number Search	UL Website
Certificate No. (cURus)	E223759

### Downloads

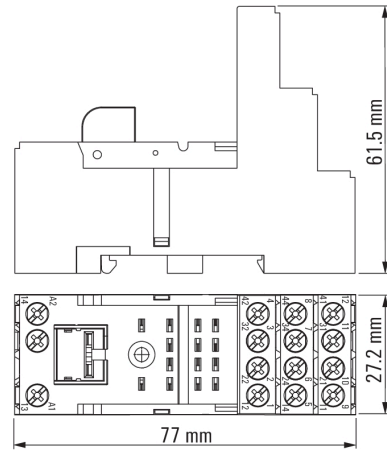
Approval/Certificate/Document of Conformity	<a href="#">EU Konformitätserklärung / EU Declaration of Conformity</a>
Engineering Data	<a href="#">CAD data – STEP</a>
Engineering Data	<a href="#">WSCAD, EPLAN</a>
Catalogues	<a href="#">Catalogues in PDF-format</a>
Brochures	

**Zeichnungen**

**Graph**

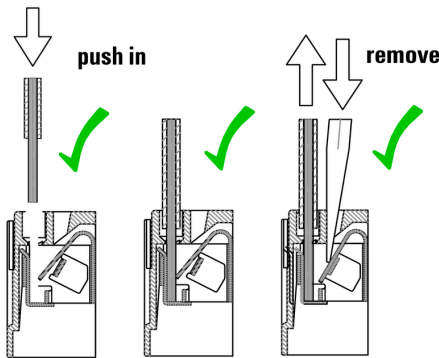


**Dimensional drawing**



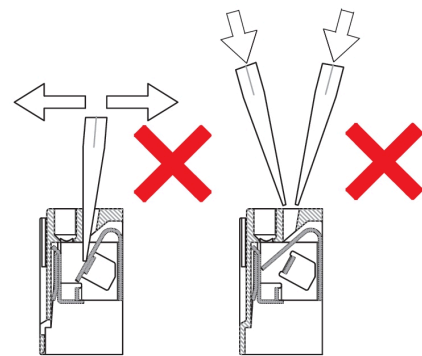
**Miscellaneous**

**Correct handling PUSH IN connection**



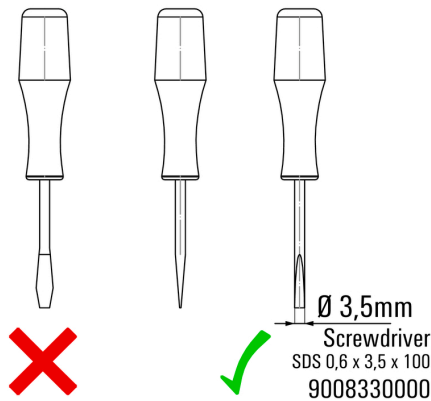
**Miscellaneous**

**Wrong handling PUSH IN connection**



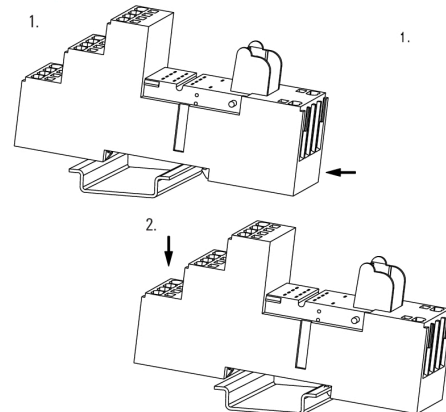
**Miscellaneous**

**Recommended screwdriver**



**Miscellaneous**

**Snap on socket**



SCM-I 4CO P

Weidmüller Interface GmbH & Co. KG  
Klingenbergstraße 26  
D-32758 Detmold  
Germany

[www.weidmueller.com](http://www.weidmueller.com)

Zeichnungen

Miscellaneous

Unlatching socket

