

IE-M12-ADAP S

Weidmüller Interface GmbH & Co. KG
Klingenbergstraße 26
D-32758 Detmold
Germany

www.weidmueller.com

**General ordering data**

Version	Adapter, straight, RJ45, M12, Cat.5 (ISO/IEC 11801), IP67
Order No.	8901620000
Type	IE-M12-ADAP S
GTIN (EAN)	4032248653577
Qty.	1 Stück

Erstellungs-Datum May 25, 2023 11:19:58 AM CEST

Katalogstand 12.05.2023 / Technische Änderungen vorbehalten

IE-M12-ADAP S

Weidmüller Interface GmbH & Co. KG

Klingenbergstraße 26

D-32758 Detmold

Germany

www.weidmueller.com

Technische Daten

Dimensions and weights

Net weight	32 g
------------	------

Temperatures

Storage temperature	-40 °C...80 °C	Operating temperature	-25 °C...80 °C
Operating temperature, min.	-25 °C	Operating temperature, max.	80 °C

Technical data customisable plug-in connectors

Category	Cat.5 (ISO/IEC 11801)	Coding	D
Contact surface	Gold-plated	Housing main material	PA 66
Number of poles	4	Protection degree	IP67

General Info

Number of poles	4	Connection 1	RJ45
Connection 2	M12	Description of article	Adapter, straight
Configuration	M12 socket to RJ45 socket	Housing main material	PA 66
Category	Cat.5 (ISO/IEC 11801)	Connection thread	M12
Contact surface	Gold-plated	Shielding	Yes
Protection degree	IP67		

Electrical properties

Contact resistance	≤ 10 mΩ	Current-carrying capacity at 50 °C	1 A
--------------------	---------	------------------------------------	-----

Standards

Connector standard	IEC 60603-7-5, IEC 61076-2-101
--------------------	--------------------------------

General technical specifications

Coding	D	Connection thread	M12
Contact surface	Gold-plated	Housing main material	PA 66
Number of poles	4	Protection degree	IP67
Version	straight		

Classifications

ETIM 6.0	EC000313	ETIM 7.0	EC000313
ETIM 8.0	EC000313	ECLASS 9.0	27-44-03-20
ECLASS 9.1	19-17-01-25	ECLASS 10.0	27-44-03-20
ECLASS 11.0	27-44-03-20	ECLASS 12.0	27-44-03-20

Environmental Product Compliance

REACH SVHC	Lead 7439-92-1
SCIP	d1193a9e-dc7c-484a-ba48-176711eb392b

IE-M12-ADAP S

Weidmüller Interface GmbH & Co. KG
Klingenbergstraße 26
D-32758 Detmold
Germany

www.weidmueller.com

Technische Daten

Approvals

Approvals



ROHS	Conform
UL File Number Search	UL Website
Certificate no. (cULus)	E471884

Downloads

Approval/Certificate/Document of Conformity	GOST Approval PROFINET Manufacturer's Declaration
Engineering Data	CAD data – STEP
User Documentation	MAN IE GUIDE DE MAN IE GUIDE EN
Catalogues	Catalogues in PDF-format
Brochures	FL FIELDWIRING EN PI PROFINET CABLING EN PI PROFINET CABLING EN

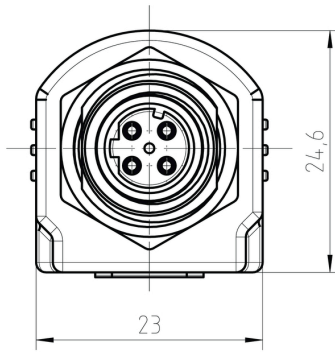
IE-M12-ADAP S

Weidmüller Interface GmbH & Co. KG
Klingenbergstraße 26
D-32758 Detmold
Germany

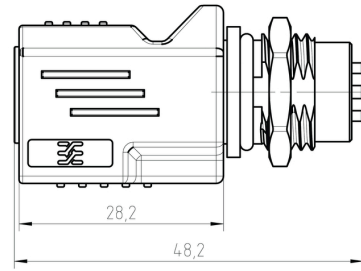
www.weidmueller.com

Zeichnungen

Dimensioned drawing



Dimensioned drawing



Installation cut-out

