

**IE-M12-ADAP A**

**Weidmüller Interface GmbH & Co. KG**  
Klingenbergstraße 26  
D-32758 Detmold  
Germany

[www.weidmueller.com](http://www.weidmueller.com)

**General ordering data**

Version	Adapter, angled, RJ45 90&deg;, M12, Cat.5 (ISO/IEC 11801), IP67
Order No.	<a href="#">8901630000</a>
Type	IE-M12-ADAP A
GTIN (EAN)	4032248653584
Qty.	1 pc(s).

Creation date February 15, 2023 4:19:43 PM CET

Catalogue status 03.02.2023 / We reserve the right to make technical changes.

## IE-M12-ADAP A

Weidmüller Interface GmbH &amp; Co. KG

Klingenbergstraße 26

D-32758 Detmold

Germany

www.weidmueller.com

## Technical data

## Dimensions and weights

Net weight	36 g
------------	------

## Temperatures

Storage temperature	-40 °C...80 °C	Operating temperature	-25 °C...80 °C
Operating temperature, min.	-25 °C	Operating temperature, max.	80 °C

## Technical data customisable plug-in connectors

Category	Cat.5 (ISO/IEC 11801)	Coding	D
Contact surface	Gold-plated	Housing main material	PA 66
Number of poles	4	Protection degree	IP67

## General Info

Number of poles	4	Connection 1	RJ45 90&deg;
Connection 2	M12	Description of article	Adapter, angled
Configuration	M12 socket to RJ45 socket	Housing main material	PA 66
Category	Cat.5 (ISO/IEC 11801)	Connection thread	M12
Contact surface	Gold-plated	Shielding	Yes
Protection degree	IP67		

## Electrical properties

Contact resistance	≤ 10 mΩ	Current-carrying capacity at 50 °C	1 A
--------------------	---------	------------------------------------	-----

## Standards

Connector standard	IEC 60603-7-5, IEC 61076-2-101
--------------------	--------------------------------

## General technical specifications

Coding	D	Connection thread	M12
Contact surface	Gold-plated	Housing main material	PA 66
Number of poles	4	Protection degree	IP67
Version	angled		

## Classifications

ETIM 6.0	EC000313	ETIM 7.0	EC000313
ETIM 8.0	EC000313	ECLASS 9.0	27-44-03-20
ECLASS 9.1	19-17-01-25	ECLASS 10.0	27-44-03-20
ECLASS 11.0	27-44-03-20	ECLASS 12.0	27-44-03-20

## Environmental Product Compliance

REACH SVHC	Lead 7439-92-1
SCIP	d1193a9e-dc7c-484a-ba48-176711eb392b

## IE-M12-ADAP A

**Weidmüller Interface GmbH & Co. KG**  
Klingenbergstraße 26  
D-32758 Detmold  
Germany

[www.weidmueller.com](http://www.weidmueller.com)

## Technical data

### Approvals

Approvals



ROHS	Conform
UL File Number Search	UL Website
Certificate no. (cULus)	E471884

### Downloads

Approval/Certificate/Document of Conformity	<a href="#">GOST Approval</a> <a href="#">PROFINET Manufacturer's Declaration</a>
Engineering Data	<a href="#">CAD data – STEP</a>
User Documentation	<a href="#">MAN IE GUIDE DE</a> <a href="#">MAN IE GUIDE EN</a>
Catalogues	<a href="#">Catalogues in PDF-format</a>
Brochures	<a href="#">FL FIELDWIRING EN</a> <a href="#">PI PROFINET CABLING EN</a> <a href="#">PI PROFINET CABLING EN</a>

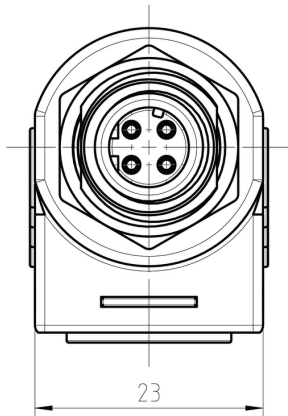
**IE-M12-ADAP A**

**Weidmüller Interface GmbH & Co. KG**  
Klingenbergstraße 26  
D-32758 Detmold  
Germany

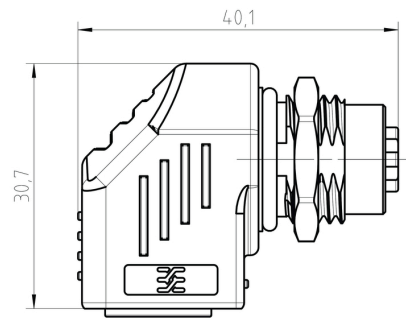
[www.weidmueller.com](http://www.weidmueller.com)

**Drawings**

**Dimensioned drawing**



**Dimensioned drawing**



**Installation cut-out**

