

**RCM570021****Weidmüller Interface GmbH & Co. KG**

Klingenbergstraße 26

D-32758 Detmold

Germany

www.weidmueller.com

**Product image**

Similar to illustration

**General ordering data**

Version	RIDERSERIES RCM, Relay, Number of contacts: 4, CO contact with test button, Rated control voltage: 21 V DC, 16.8 V DC...24 V DC...30 V DC, Continuous current: 3 A, Plug-in connection, Test button available: Yes
Order No.	<a href="#">8935530000</a>
Type	RCM570021
GTIN (EAN)	4032248711765
Qty.	10 pc(s).

Creation date March 2, 2023 10:02:05 AM CET

Catalogue status 18.02.2023 / We reserve the right to make technical changes.

## RCM570021

Weidmüller Interface GmbH &amp; Co. KG

Klingenbergstraße 26

D-32758 Detmold

Germany

www.weidmueller.com

## Technical data

## Dimensions and weights

Depth	29 mm	Depth (inches)	1.142 inch
Height	28 mm	Height (inches)	1.102 inch
Width	22.5 mm	Width (inches)	0.886 inch
Net weight	28.65 g		

## Temperatures

Storage temperature	-40 °C...85 °C	Operating temperature	-40 °C...70 °C
Operating temperature, min.	-40 °C	Operating temperature, max.	70 °C

## Control side

Rated control voltage	21 V DC, 16.8 V DC...24 V DC...30 V DC	Power rating	1 W
Status indicator	No		

## Load side

Rated switching voltage	240 V AC	Continuous current	3 A
Max. switching frequency at rated load	0.1 Hz	Max. switching current	DC13: 24 V DC / 3 A, AC15: 230 V AC / 2 A
Max. switching voltage, AC	240 V	AC switching capacity (resistive), max.	750 VA
Switch-on delay	≤ 15 ms	Switch-off delay	≤ 10 ms
Contact type	4 CO contact with test button	Min. switching power	1 mA @ 24 V, 10 mA @ 12 V, 100 mA @ 5 V

## General data

Test button available	Yes	Version of test button	lockable
Mechanical switch position indicator	Yes	Colour	Transparent
UL 94 flammability rating	V-2		

## Insulation coordination

Rated voltage	250 V	Pollution severity	2
Surge voltage category	III	Insulating material group	IIIa
Creepage and clearance distance input - output	≥ 4 mm	Dielectric strength, Input/Output	2.5 kV <sub>eff</sub> / 1 Min.
Dielectric strength of neighbouring contacts	2 kV <sub>eff</sub> / 1 min	Dielectric strength of open contact	1.2 kV <sub>eff</sub> / 1 min.
Impulse withstand voltage	5 kV (1.2/50 μs)	Protection degree	IP20

## Further details of approvals / standards

Standards	IEC 61810-1	Certificate No. (CSA)	249409-2426937
-----------	-------------	-----------------------	----------------

## Connection data

Wire connection method	Plug-in connection
------------------------	--------------------

## RCM570021

**Weidmüller Interface GmbH & Co. KG**  
Klingenbergstraße 26  
D-32758 Detmold  
Germany

[www.weidmueller.com](http://www.weidmueller.com)

## Technical data

### Classifications

ETIM 6.0	EC001437	ETIM 7.0	EC001437
ETIM 8.0	EC001437	ECLASS 9.0	27-37-16-01
ECLASS 9.1	27-37-16-01	ECLASS 10.0	27-37-16-01
ECLASS 11.0	27-37-16-01	ECLASS 12.0	27-37-16-01

### Approvals

Approvals



ROHS

Conform

### Downloads

Approval/Certificate/Document of Conformity	<a href="#">EU Konformitätserklärung / EU Declaration of Conformity</a>
Engineering Data	<a href="#">CAD data – STEP</a>
Engineering Data	<a href="#">WSCAD</a>
Catalogues	<a href="#">Catalogues in PDF-format</a>

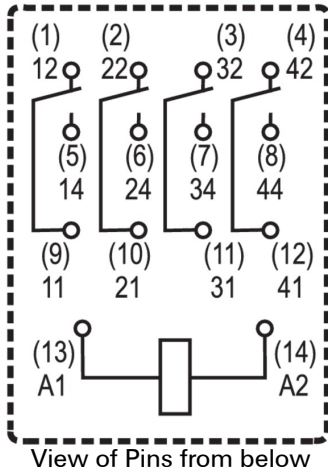
**RCM570021**

**Weidmüller Interface GmbH & Co. KG**  
 Klingenbergstraße 26  
 D-32758 Detmold  
 Germany

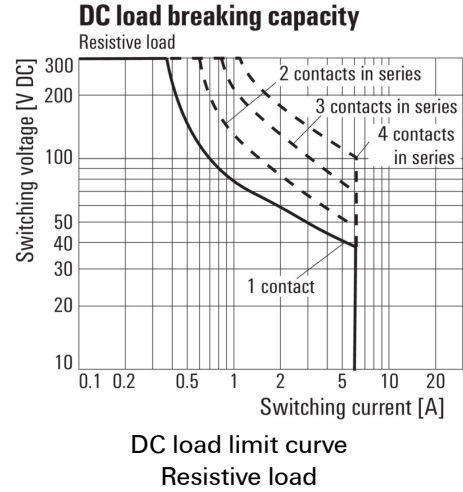
www.weidmueller.com

**Drawings**

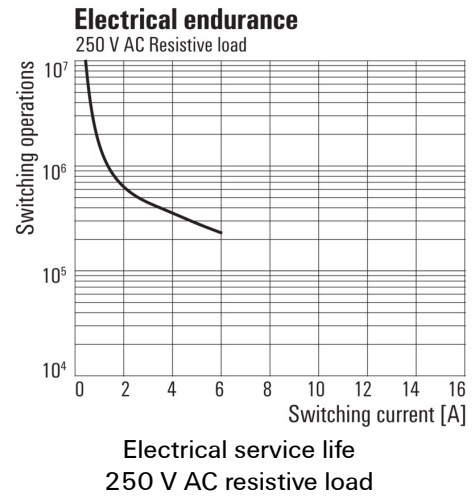
**Wiring diagram**



**Graph**



**Graph**



**Dimensional drawing**

