

**IE-TO-RJ45-C****Weidmüller Interface GmbH & Co. KG**

Klingenbergstraße 26

D-32758 Detmold

Germany

www.weidmueller.com



Mounting rail outlet, RJ45 junction design according to IEC 60603-7-51

**General ordering data**

Version	Mounting rail outlet, RJ45, Coupling, IP20, Cat.6A / Class EA (ISO/IEC 11801 2010)
Order No.	<a href="#">8946920000</a>
Type	IE-TO-RJ45-C
GTIN (EAN)	4032248734801
Qty.	10 Stück

Erstellungs-Datum May 25, 2023 11:20:18 AM CEST

Katalogstand 12.05.2023 / Technische Änderungen vorbehalten

## IE-TO-RJ45-C

**Weidmüller Interface GmbH & Co. KG**  
 Klingenbergstraße 26  
 D-32758 Detmold  
 Germany

www.weidmueller.com

## Technische Daten

### Dimensions and weights

Net weight 52.1 g

### Temperatures

Operating temperature	-40 °C...70 °C	Operating temperature, min.	-40 °C
Operating temperature, max.	70 °C	Humidity	0...93 % rel. humidity

### General data

Connection 1	RJ45	Connection 2	RJ45
Configuration	Switchable volt. connection from module/ coupling to mounting rail	Wiring	Coupling
Colour	Light Grey	Shock resistance acc. to IEC 60512-6-3	250 ms <sup>-2</sup>
Vibration resistance acc. to IEC 60512-6-4	50 ms <sup>-2</sup> sinusoidal (9...500 Hz)	Humidity	0...93 % rel. humidity
Housing main material	PA UL 94 V0	Category	Cat.6A / Class EA (ISO/ IEC 11801 2010)
Contact material	Spring steel, Ni 1.2 µm	Contact surface	Au ≥ 0.8 µm
Type of mounting	TS 35	Shielding	Yes
Protection degree	IP20	Plugging cycles	750 (RJ45)

### Electrical properties

Contact resistance	≤ 20 mΩ	Current-carrying capacity at 50 °C	1 A
Dielectric strength, contact / contact	≥ 1000 V DC	Dielectric strength, contact / shield	≥ 1500 V DC
Insulation strength	500 MΩ	PoE / PoE+	conforming to IEEE 802.3af

### General standards

Connector standard IEC 60603-7-51

### Classifications

ETIM 6.0	EC000313	ETIM 7.0	EC000313
ETIM 8.0	EC000313	ECLASS 9.0	27-44-03-20
ECLASS 9.1	19-17-01-25	ECLASS 10.0	27-44-03-20
ECLASS 11.0	27-44-03-20	ECLASS 12.0	27-44-03-20

### Approvals

Approvals



ROHS Conform

## IE-TO-RJ45-C

**Weidmüller Interface GmbH & Co. KG**  
Klingenbergstraße 26  
D-32758 Detmold  
Germany

[www.weidmueller.com](http://www.weidmueller.com)

## Technische Daten

### Downloads

Approval/Certificate/Document of Conformity	<a href="#">ISO/IEC and TIA/EIA DE</a> <a href="#">ISO/IEC EN and TIA/EIA Screened Class E Category 6, 3 connector permanent link</a> <a href="#">ISO/IEC EN and TIA/EIA Screened Class E Category 6, 4 connector channel</a> <a href="#">ISO/IEC EN and TIA/EIA Screened Class EA Category 6A, 2 connector channel</a> <a href="#">PROFINET Manufacturer's Declaration</a>
Engineering Data	<a href="#">CAD data – STEP</a>
Engineering Data	<a href="#">WSCAD, Zuken E3.S, EPLAN</a>
User Documentation	<a href="#">MAN IE GUIDE DE</a> <a href="#">MAN IE GUIDE EN</a> <a href="#">Manual</a>
Catalogues	<a href="#">Catalogues in PDF-format</a>
Brochures	<a href="#">MB FREECONTACT EN</a> <a href="#">FL FIELDWIRING EN</a> <a href="#">PI PROFINET CABLING EN</a> <a href="#">PI PROFINET CABLING EN</a>

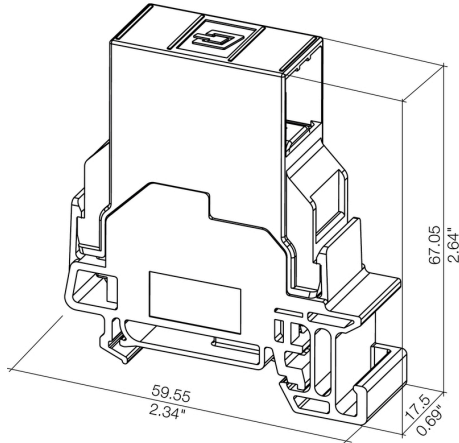
## IE-TO-RJ45-C

**Weidmüller Interface GmbH & Co. KG**  
Klingenbergstraße 26  
D-32758 Detmold  
Germany

[www.weidmueller.com](http://www.weidmueller.com)

## Zeichnungen

### Dimensioned drawing



### Drawing

