

IE-TO-SCD-SM**Weidmüller Interface GmbH & Co. KG**

Klingenbergstraße 26

D-32758 Detmold

Germany

www.weidmueller.com

Mounting rail outlet, SC duplex junction design according to IEC 61754-4

General ordering data

Version	Mounting rail outlet, fibre-optic, SC duplex, Singlemode, IP20
Order No.	8946980000
Type	IE-TO-SCD-SM
GTIN (EAN)	4032248734993
Qty.	1 Stück

Erstellungs-Datum May 25, 2023 10:59:50 AM CEST

Katalogstand 12.05.2023 / Technische Änderungen vorbehalten

IE-TO-SCD-SM

Weidmüller Interface GmbH & Co. KG
 Klingenbergstraße 26
 D-32758 Detmold
 Germany

www.weidmueller.com

Technische Daten

Dimensions and weights

Net weight 40 g

Temperatures

Operating temperature	-40 °C...70 °C	Operating temperature, min.	-40 °C
Operating temperature, max.	70 °C		

General data

Colour	Light Grey	Connection 1	SC-Duplex
Connection 2	SC-Duplex	Fibre type	Singlemode
Housing main material	PA UL 94 V0	Insertion loss	≤ 0.5 dB
Plugging cycles	1000	Protection degree	IP20
Type of mounting	TS 35		

General standards

Certificate No. (UL)	E477798	Connector standard	IEC 61754-4
----------------------	---------	--------------------	-------------

Classifications

ETIM 6.0	EC000313	ETIM 7.0	EC000313
ETIM 8.0	EC000313	ECLASS 9.0	27-44-03-20
ECLASS 9.1	19-17-01-25	ECLASS 10.0	27-44-03-20
ECLASS 11.0	27-44-03-20	ECLASS 12.0	27-44-03-20

Approvals

Approvals



ROHS	Conform
UL File Number Search	UL Website
Certificate No. (UL)	E477798

Downloads

Engineering Data	CAD data – STEP
User Documentation	MAN IE GUIDE DE MAN IE GUIDE EN Manual
Catalogues	Catalogues in PDF-format
Brochures	FL FIELDWIRING EN PI PROFINET CABLING EN PI PROFINET CABLING EN

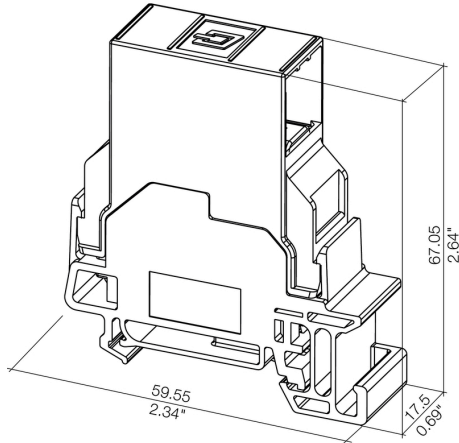
IE-TO-SCD-SM

Weidmüller Interface GmbH & Co. KG
Klingenbergstraße 26
D-32758 Detmold
Germany

www.weidmueller.com

Zeichnungen

Dimensioned drawing



Drawing

