

IE-TO-LCD-MM**Weidmüller Interface GmbH & Co. KG**

Klingenbergstraße 26

D-32758 Detmold

Germany

www.weidmueller.com

Mounting rail outlet, LC duplex junction design according to IEC 61754-20

General ordering data

Version	Mounting rail outlet, fibre-optic, LC Duplex, Multimode, GOF, POF, IP20
Order No.	8947010000
Type	IE-TO-LCD-MM
GTIN (EAN)	4032248735020
Qty.	10 Stück

Erstellungs-Datum May 25, 2023 11:00:19 AM CEST

Katalogstand 12.05.2023 / Technische Änderungen vorbehalten

IE-TO-LCD-MM

Weidmüller Interface GmbH & Co. KG
 Klingenbergstraße 26
 D-32758 Detmold
 Germany

www.weidmueller.com

Technische Daten

Dimensions and weights

Net weight 32.5 g

Temperatures

Operating temperature	-40 °C...70 °C	Operating temperature, min.	-40 °C
Operating temperature, max.	70 °C		

General data

Colour	Light Grey	Connection 1	LC Duplex
Connection 2	LC Duplex	Fibre type	Multimode, GOF, POF
Housing main material	PA UL 94 V0	Insertion loss	≤ 0.4 dB
Plugging cycles	1000	Protection degree	IP20
Type of mounting	TS 35		

General standards

Connector standard IEC 61754-20

Classifications

ETIM 6.0	EC000313	ETIM 7.0	EC000313
ETIM 8.0	EC000313	ECLASS 9.0	27-44-03-20
ECLASS 9.1	19-17-01-25	ECLASS 10.0	27-44-03-20
ECLASS 11.0	27-44-03-20	ECLASS 12.0	27-44-03-20

Approvals

Approvals



ROHS Conform

Downloads

Engineering Data	CAD data – STEP
User Documentation	MAN IE GUIDE DE MAN IE GUIDE EN Manual
Catalogues	Catalogues in PDF-format
Brochures	FL FIELDWIRING EN PI PROFINET CABLING EN PI PROFINET CABLING EN

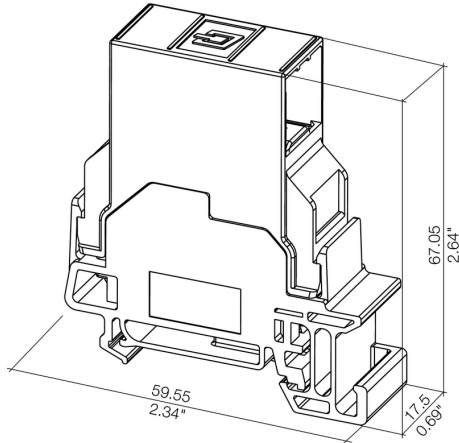
IE-TO-LCD-MM

Weidmüller Interface GmbH & Co. KG
Klingenbergstraße 26
D-32758 Detmold
Germany

www.weidmueller.com

Zeichnungen

Dimensioned drawing



Drawing

