

IE-XR-RJ45/RJ45-2**Weidmüller Interface GmbH & Co. KG**

Klingenbergstraße 26

D-32758 Detmold

Germany

www.weidmueller.com

IE plug-in connectors, IP20, for copper and fibre optic cables

General ordering data

Version	Mounting flange, Cat.6A / Class EA (ISO/IEC 11801 2010), IP20
Order No.	8952950000
Type	IE-XR-RJ45/RJ45-2
GTIN (EAN)	4032248744329
Qty.	24 Stück

Erstellungs-Datum May 25, 2023 11:00:52 AM CEST

Katalogstand 12.05.2023 / Technische Änderungen vorbehalten

IE-XR-RJ45/RJ45-2

Weidmüller Interface GmbH & Co. KG
 Klingenbergstraße 26
 D-32758 Detmold
 Germany

www.weidmueller.com

Technische Daten

Dimensions and weights

Net weight 21.333 g

Temperatures

Operating temperature	-40 °C...70 °C	Operating temperature, min.	-40 °C
Operating temperature, max.	70 °C		

General data

Housing main material	Zinc diecast	Category	Cat.6A / Class EA (ISO/ IEC 11801 2010)
Shielding	360°; shield contact	Protection degree	IP20
Insertion force	≤ 30 N	Plugging cycles	750

Electrical properties

Contact resistance	≤ 20 mΩ	Current-carrying capacity at 50 °C	1 A
Dielectric strength, contact / contact	≥ 1000 V DC	Dielectric strength, contact / shield	≤ 1500 V DC
PoE / PoE+	conforming to IEEE 802.3at		

General standards

Connector standard IEC 60603-7-5

Classifications

ETIM 6.0	EC001121	ETIM 7.0	EC001121
ETIM 8.0	EC001121	ECLASS 9.0	27-44-03-90
ECLASS 9.1	27-44-03-90	ECLASS 10.0	27-44-03-90
ECLASS 11.0	27-44-03-90	ECLASS 12.0	27-44-03-90

Approvals

Approvals



ROHS Conform

Downloads

Engineering Data	CAD data – STEP
User Documentation	MAN IE GUIDE DE MAN IE GUIDE EN
Catalogues	Catalogues in PDF-format
Brochures	FL FIELDWIRING EN PI PROFINET CABLING EN PI PROFINET CABLING EN

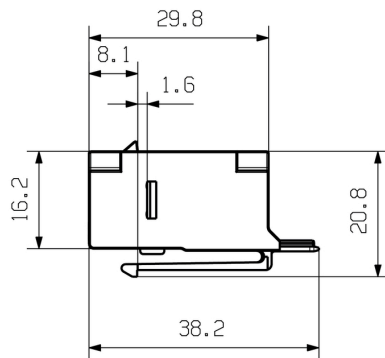
IE-XR-RJ45/RJ45-2

Weidmüller Interface GmbH & Co. KG
Klingenbergstraße 26
D-32758 Detmold
Germany

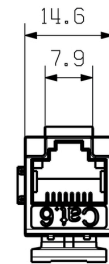
www.weidmueller.com

Zeichnungen

Dimensioned drawing



Dimensioned drawing



Installation cut-out

