

**STRIPAX PLUS 2.5****Weidmüller Interface GmbH & Co. KG**

Klingenbergstraße 26

D-32758 Detmold

Germany

www.weidmueller.com

**Cutting, stripping and crimping tools for connected wire-end ferrules strips**

- Cutting
- Stripping
- Crimping
- Automatic feeding of wire end ferrules
- Ratchet guarantees precise crimping
- Release option in the event of incorrect operation
- Efficient: only one tool needed for cable work, and thus significant time saved

**General ordering data**

Version	Cutting, stripping and crimping tool, Crimping tool for wire-end ferrules, 0.5mm <sup>2</sup> , 2.5mm <sup>2</sup> , Trapezoidal crimp
Order No.	<a href="#">902000000</a>
Type	STRIPAX PLUS 2.5
GTIN (EAN)	4008190067267
Qty.	1 pc(s).
Replacement parts	<a href="#">9050340000</a> <a href="#">9052290000</a> <a href="#">9202680000</a> <a href="#">9202700000</a>

Creation date February 17, 2023 11:26:36 AM CET

## STRIPAX PLUS 2.5

Weidmüller Interface GmbH &amp; Co. KG

Klingenbergstraße 26

D-32758 Detmold

Germany

www.weidmueller.com

## Technical data

## Dimensions and weights

Width	210 mm	Width (inches)	8.268 inch
Net weight	250.91 g		

## Technical data

Description of article	(1)Crimping tool	Version	Mechanical, without interchangeable inserts
------------------------	------------------	---------	---

## Description of contact

Conductor cross-section, min. AWG	AWG 20	Crimping range, max.	2.5 mm <sup>2</sup>
Crimping range, min.	0.5 mm <sup>2</sup>	Type of contact	Strips of linked wire-end ferrules

## tool data crimping

Crimping profile 1, max.	0.75 mm <sup>2</sup>	Crimping profile 1, min.	0.5 mm <sup>2</sup>
Crimping profile 2, max.	1.5 mm <sup>2</sup>	Crimping profile 2, min.	1 mm <sup>2</sup>
Crimping profile 3, min.	2.5 mm <sup>2</sup>	Crimping type/profile	Trapezoidal crimp
Wire end ferrules cross-section, max.	2.5 mm <sup>2</sup>	Wire end ferrules cross-section, min.	0.5 mm <sup>2</sup>

## Classifications

ETIM 6.0	EC002109	ETIM 7.0	EC002109
ETIM 8.0	EC002109	ECLASS 9.0	21-04-37-06
ECLASS 9.1	21-04-37-06	ECLASS 10.0	21-04-37-06
ECLASS 11.0	21-04-37-06	ECLASS 12.0	21-04-37-06

## Environmental Product Compliance

REACH SVHC	Lead 7439-92-1
SCIP	2159813b-98fd-4068-b62a-bc89a046c012

## Approvals

Approvals



## Downloads

Engineering Data	<a href="#">CAD data – STEP</a>
Engineering Data	<a href="#">WSCAD</a>
User Documentation	<a href="#">Manual</a>
Catalogues	<a href="#">Catalogues in PDF-format</a>
Brochures	

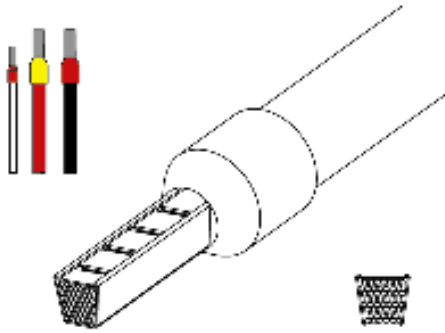
**STRIPAX PLUS 2.5**

**Weidmüller Interface GmbH & Co. KG**  
Klingenbergstraße 26  
D-32758 Detmold  
Germany

[www.weidmueller.com](http://www.weidmueller.com)

**Drawings**

**Example of use**



**Example of use**



**Example of use**

