

## RS 16IO 1W L H S

**Weidmüller Interface GmbH & Co. KG**  
 Klingenbergstraße 26  
 D-32758 Detmold  
 Germany

www.weidmueller.com



Similar to illustration

The digital direct input/output interfaces are supplied with flat cable connectors to facilitate connection. They are available in tension clamp or clamping yoke connection, with elements such as fuses, disconnectors or LEDs.

### General ordering data

Version	Interface, RS, LED, 1-wire, Screw connection
Order No.	<a href="#">9445710000</a>
Type	RS 16IO 1W L H S
GTIN (EAN)	4032248252930
Qty.	1 Stück

## RS 16IO 1W L H S

**Weidmüller Interface GmbH & Co. KG**  
 Klingenbergstraße 26  
 D-32758 Detmold  
 Germany

www.weidmueller.com

## Technische Daten

### Dimensions and weights

Depth	72 mm	Depth (inches)	2.835 inch
Height	87 mm	Height (inches)	3.425 inch
Width	46 mm	Width (inches)	1.811 inch
Net weight	122 g		

### Temperatures

Storage temperature	-40...60 °C	Operating temperature	-25...50 °C
Operating temperature, min.	-25 °C	Operating temperature, max.	50 °C

### General data

LED status display per channel	green	Disconnection per channel	No
Type of test point	No	Fuse per channel	No
LED status of the supply voltage	yellow	Power supply fuse	3.15 A
Common pole polarity	No		

### Connection data

Connection (field side)	LP2N 5.08mm	Connection on control side	Plug-in connector in acc. with IEC60603-13 / DIN41651
Number of poles (control side)	20-pole plug	Wiring system	1-wire

### Ratings data

Operating voltage	24 V DC $\pm$ 10%	Max. current per channel	1 A
Total operating current	2 A		

### Insulation coordination (EN50178)

According to	DIN EN 50178	Rated insulation voltage	< 50 V AC
Surge voltage category	III	Pollution severity level	2
Pulse voltage test (1,2/50 $\mu$ s)	0.8 kV	Insulation test voltage AC	0.35 kVAC

### Connection field

Clamping range, max.	6 mm <sup>2</sup>	Clamping range, min.	0.13 mm <sup>2</sup>
Flexible with sleeve, max.	2.5 mm <sup>2</sup>	Flexible with sleeve, min.	0.5 mm <sup>2</sup>
Flexible, max. H05(07) V-K	4 mm <sup>2</sup>	Flexible, min. H05(07) V-K	0.5 mm <sup>2</sup>
Max. wire cross-section, AWG	AWG 12	Min. wire cross-section, AWG	AWG 26
Sleeve with plastic collar, max.	2.5 mm <sup>2</sup>	Solid, max. H05(07) V-U	6 mm <sup>2</sup>
Solid, min. H05(07) V-U	0.5 mm <sup>2</sup>	Stripping length	6 mm
Tightening torque, max.	0.6 Nm	Tightening torque, min.	0.5 Nm
Type of connection	Screw connection		

## RS 16IO 1W L H S

**Weidmüller Interface GmbH & Co. KG**  
 Klingenbergstraße 26  
 D-32758 Detmold  
 Germany

www.weidmueller.com

## Technische Daten

### Supply connection

Type of connection	Screw connection	Clamping range, min.	0.13 mm <sup>2</sup>
Clamping range, max.	6 mm <sup>2</sup>	Solid, min. H05(07) V-U	0.5 mm <sup>2</sup>
Solid, max. H05(07) V-U	6 mm <sup>2</sup>	Flexible, min. H05(07) V-K	0.5 mm <sup>2</sup>
Flexible, max. H05(07) V-K	4 mm <sup>2</sup>	Flexible with sleeve, max.	2.5 mm <sup>2</sup>
Flexible with sleeve, min.	0.5 mm <sup>2</sup>	Ferrule with plastic collar, max.	2.5 mm <sup>2</sup>
Wire cross-section, min. AWG	AWG 26	Wire cross-section, max. AWG	AWG 12
Tightening torque, min.	0.5 Nm	Tightening torque, max.	0.6 Nm
Stripping length	6 mm		

### Classifications

ETIM 6.0	EC002780	ETIM 7.0	EC002780
ETIM 8.0	EC002780	ECLASS 9.0	27-14-11-52
ECLASS 9.1	27-24-22-16	ECLASS 10.0	27-14-11-52
ECLASS 11.0	27-14-11-52	ECLASS 12.0	27-14-11-52

### Environmental Product Compliance

REACH SVHC	Lead 7439-92-1
SCIP	7b5ffb72-271d-4c73-8b09-bd0aeee3697a

### Approvals

Approvals



ROHS	Conform
------	---------

### Downloads

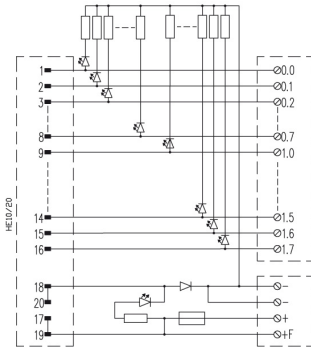
Approval/Certificate/Document of Conformity	<a href="#">Declaration of Conformity</a> <a href="#">Declaration of Conformity</a>
Engineering Data	<a href="#">WSCAD</a>
Product Change Notification	<a href="#">20220525 Technical change to RS and RSM</a>
Catalogues	<a href="#">Catalogues in PDF-format</a>

## RS 16IO 1W L H S

**Weidmüller Interface GmbH & Co. KG**  
Klingenbergstraße 26  
D-32758 Detmold  
Germany

[www.weidmueller.com](http://www.weidmueller.com)

## Zeichnungen



The wiring diagram corresponds to the version with LEDs.