

SAI-4-F 5P PUR 20M**Weidmüller Interface GmbH & Co. KG**

Klingenbergstraße 26

D-32758 Detmold

Germany

www.weidmueller.com



M12 distributors are available in various versions. The 4, 6 or 8 M12 slots are in 4 or 5 pole design. The group outlet is designed as a fixed cable version, hood version for connection by the user, or with M23. Special versions are also available. For instance, there are 1-to-1 distributors for use with any connection types, or distributors approved for Ex Zone 1.

General ordering data

Version	Sensor-actuator passive distributor, M12, Fixed cable version, 20 m, Yes
Order No.	9456370000
Type	SAI-4-F 5P PUR 20M
GTIN (EAN)	4008 190304362
Qty.	1 pc(s).

Creation date March 17, 2023 9:05:34 AM CET

Catalogue status 03.03.2023 / We reserve the right to make technical changes.

SAI-4-F 5P PUR 20M

Weidmüller Interface GmbH & Co. KG

Klingenbergstraße 26

D-32758 Detmold

Germany

www.weidmueller.com

Technical data

Dimensions and weights

Depth	102 mm	Depth (inches)	4.016 inch
Height	25 mm	Height (inches)	0.984 inch
Width	60 mm	Width (inches)	2.362 inch
Net weight	2,089 g		

Temperatures

Operating temperature	-20 - 80°C	Operating temperature, min.	-20 °C
Operating temperature, max.	80 °C		

Connection data

Sheathing stripping length	100 mm	Distributor outlet	Fixed cable version
----------------------------	--------	--------------------	---------------------

Electrical data

Rated voltage, min.	10 V	Rated voltage, max.	30 V
Test voltage	1 kV	Max. current-carrying capacity per slot	4 A
Total current	9 A	Current per signal	2 A
Electrical isolation available	No	Insulation strength	10 ⁹ Ω

General technical data

Plug-in station coding	A	Protection degree	IP68
Number of poles	5	Number of contact sockets	4
Connection thread	M12	Pollution severity	3
Fire behaviour	V-0	Plugging cycles	≤ 50
LED	Yes	LED initiator	Yes
LED colour for indicating operation	green	LED colour for I/O function	yellow

Material data

Housing main material	Pocan	Material of distributor	Plastic
Housing colour	grey, RAL 7032	Hood sealing material	Viton
Screw socket	Nickel-plated CuZn	Contact material	CuZn
Contact surface	Gold-plated	Contact carrier material	PBT (UL 94 V0)

Technical data cable

Bending cycles	2 Mio	Bending radius, min., moving	10 x cable diameter
Colour coding	green, white, yellow, grey, grey / pink, red / blue, white / green, brown / green, blue, brown, Green/yellow	Halogen	No
Number of poles	5	O.D.	8.2 mm
Sheath material	PUR	Sheathing colour	black
Shielded	No	Wire cross section (Print/Online)	8 x 0.34 mm ² + 3 x 1.0 mm ²
Cable length	20 m	Suitable for cable carriers	Yes

SAI-4-F 5P PUR 20M

Weidmüller Interface GmbH & Co. KG
 Klingenbergstraße 26
 D-32758 Detmold
 Germany

www.weidmueller.com

Technical data**Classifications**

ETIM 6.0	EC002585	ETIM 7.0	EC002585
ETIM 8.0	EC002585	ECLASS 9.0	27-44-01-08
ECLASS 9.1	27-44-01-08	ECLASS 10.0	27-44-01-08
ECLASS 11.0	27-44-01-08	ECLASS 12.0	27-44-01-08

Environmental Product Compliance

REACH SVHC	Lead 7439-92-1
------------	----------------

Approvals

Approvals



ROHS	Conform
UL File Number Search	UL Website
Certificate No. (cURus)	E141197

Downloads

Engineering Data	CAD data – STEP
Engineering Data	WSCAD
Catalogues	Catalogues in PDF-format
Brochures	FL FIELDWIRING EN FL FIELDWIRING EN

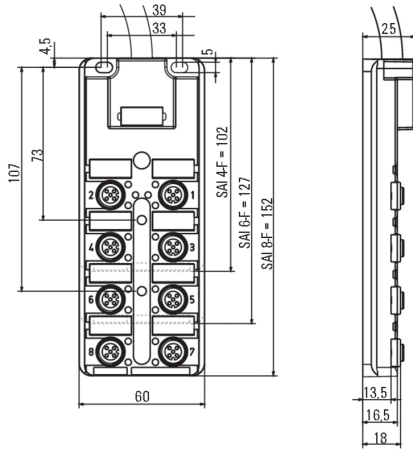
SAI-4-F 5P PUR 20M

Weidmüller Interface GmbH & Co. KG
 Klingenbergstraße 26
 D-32758 Detmold
 Germany

www.weidmueller.com

Drawings

Dimensioned drawing



Wiring diagram

