

**SAI-6-F 4P PUR 15M****Weidmüller Interface GmbH & Co. KG**

Klingenbergstraße 26

D-32758 Detmold

Germany

www.weidmueller.com



M12 distributors are available in various versions. The 4, 6 or 8 M12 slots are in 4 or 5 pole design. The group outlet is designed as a fixed cable version, hood version for connection by the user, or with M23. Special versions are also available. For instance, there are 1-to-1 distributors for use with any connection types, or distributors approved for Ex Zone 1.

**General ordering data**

Version	Sensor-actuator passive distributor, M12, Fixed cable version, 15 m, Yes
Order No.	<a href="#">9456490000</a>
Type	SAI-6-F 4P PUR 15M
GTIN (EAN)	4008 190304485
Qty.	1 pc(s).

Creation date March 17, 2023 9:07:36 AM CET

Catalogue status 03.03.2023 / We reserve the right to make technical changes.

## SAI-6-F 4P PUR 15M

Weidmüller Interface GmbH &amp; Co. KG

Klingenbergstraße 26

D-32758 Detmold

Germany

www.weidmueller.com

## Technical data

## Dimensions and weights

Depth	127 mm	Depth (inches)	5 inch
Height	25 mm	Height (inches)	0.984 inch
Width	60 mm	Width (inches)	2.362 inch
Net weight	1,465 g		

## Temperatures

Operating temperature	-20 - 80°C	Operating temperature, min.	-20 °C
Operating temperature, max.	80 °C		

## Connection data

Sheathing stripping length	100 mm	Distributor outlet	Fixed cable version
----------------------------	--------	--------------------	---------------------

## Electrical data

Rated voltage, min.	10 V	Rated voltage, max.	30 V
Test voltage	1 kV	Max. current-carrying capacity per slot	4 A
Total current	9 A	Current per signal	2 A
Electrical isolation available	No	Insulation strength	10 <sup>9</sup> Ω

## General technical data

Plug-in station coding	A	Protection degree	IP68
Number of poles	4	Number of contact sockets	6
Connection thread	M12	Pollution severity	3
Fire behaviour	V-0	Plugging cycles	≤ 50
LED	Yes	LED initiator	Yes
LED colour for indicating operation	green	LED colour for I/O function	yellow

## Material data

Housing main material	Pocan	Material of distributor	Plastic
Housing colour	grey, RAL 7032	Hood sealing material	Viton
Screw socket	Nickel-plated CuZn	Contact material	CuZn
Contact surface	Gold-plated	Contact carrier material	PBT (UL 94 V0)

## Technical data cable

Bending cycles	2 Mio	Bending radius, min., moving	10 x cable diameter
Colour coding	white, green, yellow, grey, pink, red, blue, brown, Green/yellow	Halogen	No
Number of poles	4	O.D.	7.8 mm
Sheath material	PUR	Sheathing colour	black
Shielded	No	Wire cross section (Print/Online)	6 x 0.34 mm <sup>2</sup> + 3 x 1.0 mm <sup>2</sup>
Cable length	15 m	Suitable for cable carriers	Yes

## Classifications

ETIM 6.0	EC002585	ETIM 7.0	EC002585
ETIM 8.0	EC002585	ECLASS 9.0	27-44-01-08
ECLASS 9.1	27-44-01-08	ECLASS 10.0	27-44-01-08
ECLASS 11.0	27-44-01-08	ECLASS 12.0	27-44-01-08

Creation date March 17, 2023 9:07:36 AM CET

**Data sheet****SAI-6-F 4P PUR 15M**

**Weidmüller Interface GmbH & Co. KG**  
Klingenbergstraße 26  
D-32758 Detmold  
Germany

[www.weidmueller.com](http://www.weidmueller.com)

**Technical data****Approvals**

Approvals



ROHS Conform

UL File Number Search [UL Website](#)

Certificate No. (cURus) E141197

**Downloads**

Engineering Data [WSCAD](#)

Catalogues [Catalogues in PDF-format](#)

Brochures [FL FIELDWIRING EN](#)  
[FL FIELDWIRING EN](#)

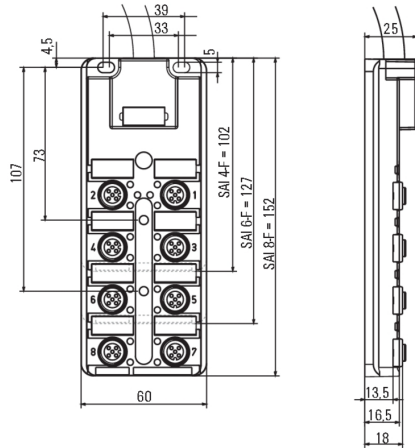
**SAI-6-F 4P PUR 15M**

**Weidmüller Interface GmbH & Co. KG**  
 Klingenbergstraße 26  
 D-32758 Detmold  
 Germany

[www.weidmueller.com](http://www.weidmueller.com)

**Drawings**

**Dimensioned drawing**



**Wiring diagram**

