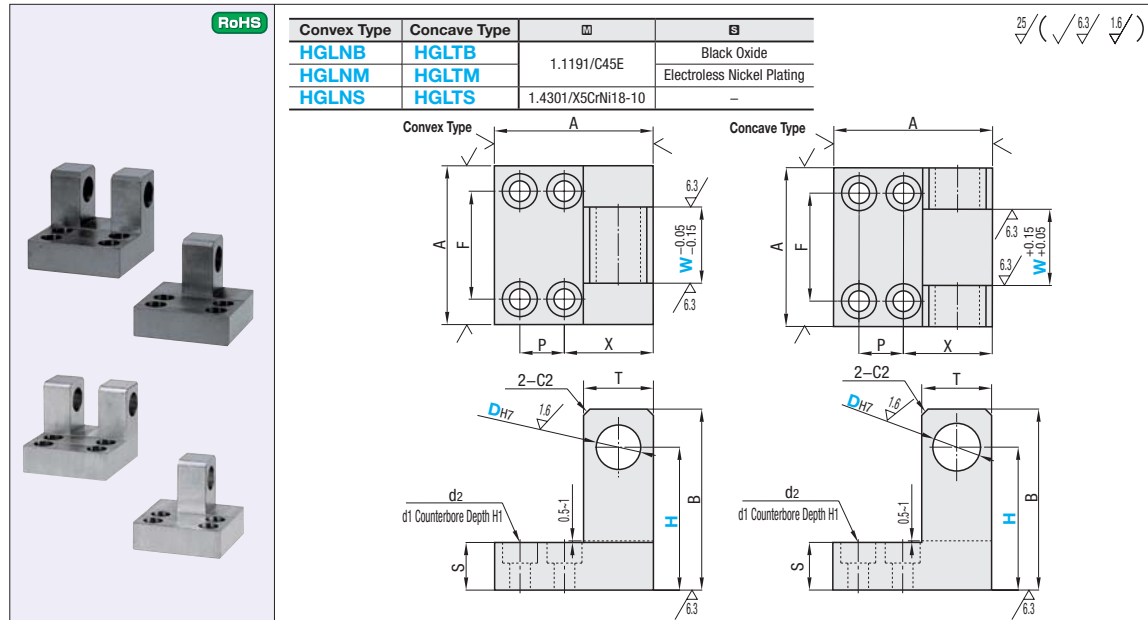


# Hinge Base

-L-Shaped Type-

CAD Data



Part Number Type	DH7	W		H		A	F	P	X	B	S	T	d2	d1	H1
		1mm Increment	5mm Increment	1mm Increment	5mm Increment										
Convex Type HGLNB HGLNM HGLNS	3	3-6	15-25	20	10	-	14.5	H+5	8	9	4.5	8	4.5		
	4	4-8	20-30	22	11	-	15.5	H+5	10	9	4.5	8	4.5		
	5	5-10	25-35	25	12	-	18.5	H+6	12	12	5.5	9.5	5.5		
	6	6-12	25-35	32	20	-	24	H+8	12	16	5.5	9.5	5.5		
	8	8-16	30-40	38	25	-	27	H+8	12	16	5.5	9.5	5.5		
	10	10-18	30-40	45	28	12	25	H+10	14	19	6.5	11	6.5		
Concave Type HGLTB HGLTM HGLTS	12	12-30	30-40	45	28	12	25	H+10	14	19	6.5	11	6.5		
	13	13-30	35-45	50	34	14	28	H+12	15	22	6.5	11	6.5		
	14	14-24	35-45	50	34	14	28	H+12	15	22	6.5	11	6.5		
	15	15-24	40-50	60	40	17	33	H+14	18	25	9	14	9		
	16	16-24	40-50	65	45	17	38	H+17	18	30	9	14	9		
	20	20-30	40-50	60	40	17	33	H+14	18	25	9	14	9		
	25	25-35	40-50	65	45	17	38	H+17	18	30	9	14	9		

**Order Example** Part Number - W - H  
 HGLNB12 - W12 - H35  
 HGLTS20 - W20 - H40

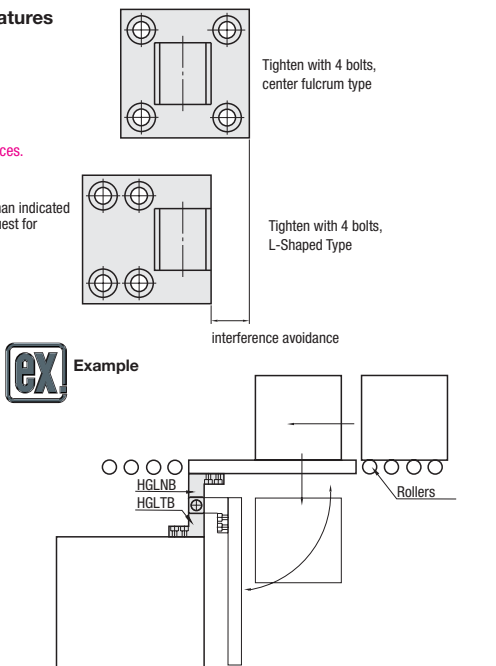
**Days to Ship** 10 Days Express B 5,00 EUR/ piece P.92  
 An Express Charge of 13,50 EUR for 3 or more identical pieces.

**Price** Volume Discount P.92  

Quantity	1-4	5-9	10-19	20-25
Rate	Price List	5%	10%	15%

 For orders larger than indicated values, please request for quotation.

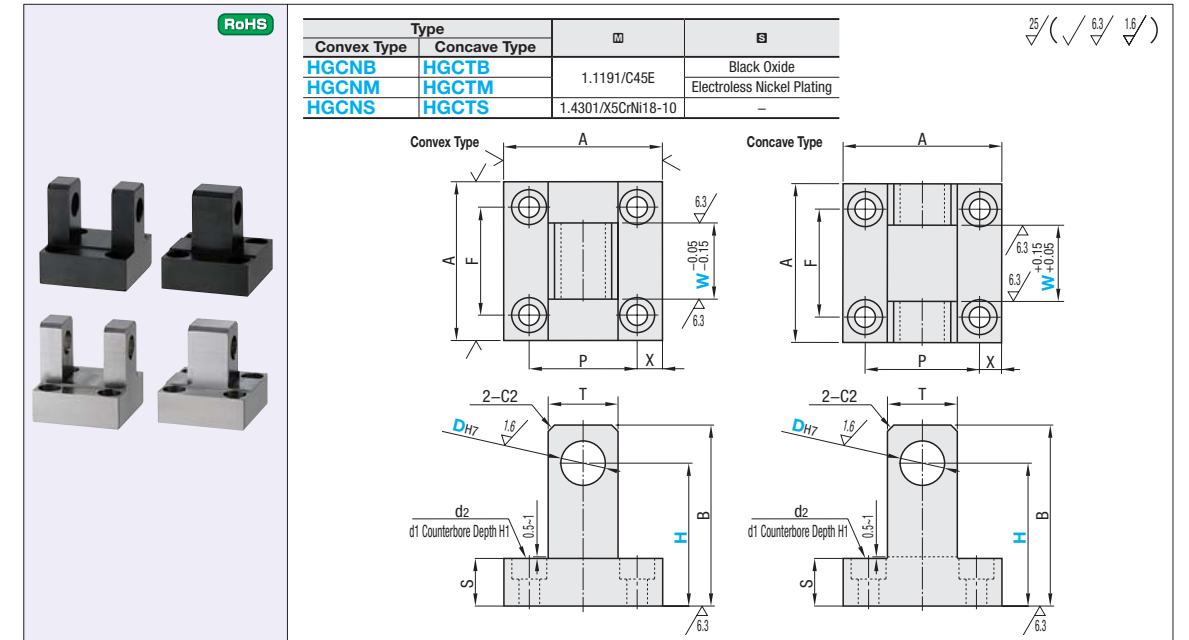
DH7	Unit Price Qty. 1~4					
	Convex Type			Concave Type		
	HGLNB	HGLNM	HGLNS	HGLTB	HGLTM	HGLTS
3	46,80	49,10	61,70	49,60	52,10	65,40
4	50,90	53,40	67,10	53,90	56,60	71,10
5	50,90	53,40	67,10	53,90	56,60	71,10
6	53,90	56,60	71,00	57,10	60,00	75,20
8	56,90	59,70	75,00	60,30	63,30	79,40
10	59,80	62,80	78,90	63,40	66,60	83,60
12	53,80	56,50	71,00	57,10	59,90	75,20
13	58,40	61,30	78,10	61,70	64,70	82,40
14	63,40	66,60	85,60	66,60	70,00	89,70
15	63,40	66,60	85,60	66,60	70,00	89,70
16	64,10	67,20	86,40	67,30	70,70	90,60
20	72,90	76,60	102,40	76,10	79,90	106,70
25	76,00	79,70	109,10	79,20	83,20	113,30



# Hinge Base

-Center Fulcrum Type-

CAD Data



Part Number Type	DH7	W		H		A	F	P	X	B	S	T	d2	d1	H1
		1mm Incr.	5mm Incr.	1mm Incr.	5mm Incr.										
Convex Type HGCNB HGCNM HGCNS	3	3-6	15-25	28	18	18	-	14.5	H+5	8	9	4.5	8	4.5	
	4	4-8	20-30	22	11	-	15.5	H+5	10	9	4.5	8	4.5		
	5	5-10	25-35	25	12	-	18.5	H+6	12	12	5.5	9.5	5.5		
	6	6-12	25-35	32	22	-	24	H+8	12	16	5.5	9.5	5.5		
	8	8-16	30-40	38	27	27	5.5	H+8	12	16	5.5	9.5	5.5		
	10	10-18	30-40	45	32	32	6.5	H+10	14	19	6.5	11	6.5		
Concave Type HGCTB HGCTM HGCTS	12	12-30	30-40	45	32	32	6.5	H+10	14	19	6.5	11	6.5		
	13	13-30	35-45	50	35	35	7.5	H+12	15	22	6.5	11	6.5		
	14	14-24	35-45	50	35	35	7.5	H+12	15	22	6.5	11	6.5		
	15	15-24	40-50	60	40	40	10	H+14	18	25	9	14	9		
	16	16-24	40-50	65	45	45	10	H+17	18	30	9	14	9		
	20	20-30	40-50	60	40	40	10	H+14	18	25	9	14	9		
	25	25-35	40-50	65	45	45	10	H+17	18	30	9	14	9		

**Order Example** Part Number - W - H  
 HGCNB12 - W12 - H35  
 HGCTS20 - W20 - H40

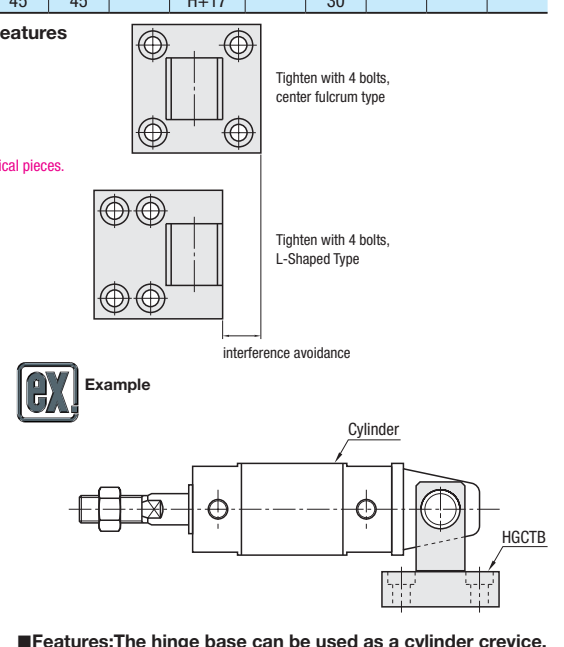
**Days to Ship** 10 Days Express B 5,00 EUR/ piece P.92  
 An Express Charge of 13,50 EUR for 3 or more identical pieces.

**Price** Volume Discount P.92  

Quantity	1-4	5-9	10-19	20-25
Rate	Price List	5%	10%	15%

 For orders larger than indicated values, please request for quotation.

D	Unit Price Qty. 1~4					
	Convex Type			Concave Type		
	HGCNB	HGCNM	HGCNS	HGCTB	HGCTM	HGCTS
3	53,90	56,60	71,00	57,10	60,00	75,20
4	58,60	61,50	77,20	62,10	65,20	81,80
5	58,60	61,50	77,20	62,10	65,20	81,80
6	62,00	65,10	81,70	65,70	69,00	86,60
8	65,40	68,70	86,30	69,40	72,80	91,40
10	68,90	72,30	90,80	73,00	76,70	96,20
12	68,90	72,30	90,80	73,00	76,70	96,20
13	74,70	78,40	99,90	78,80	82,80	105,30
14	81,10	85,10	109,40	85,20	89,50	114,80
15	81,10	85,10	109,40	85,20	89,50	114,80
16	81,90	86,00	110,40	86,00	90,30	115,80
20	93,20	97,90	130,90	97,40	102,20	136,30
25	97,10	102,00	139,40	101,20	106,30	144,80



Features: The hinge base can be used as a cylinder crevice.