

Single Axis Actuators LX45 Standard / Cover Type



Convenient Sensor Sets are also available. P.392

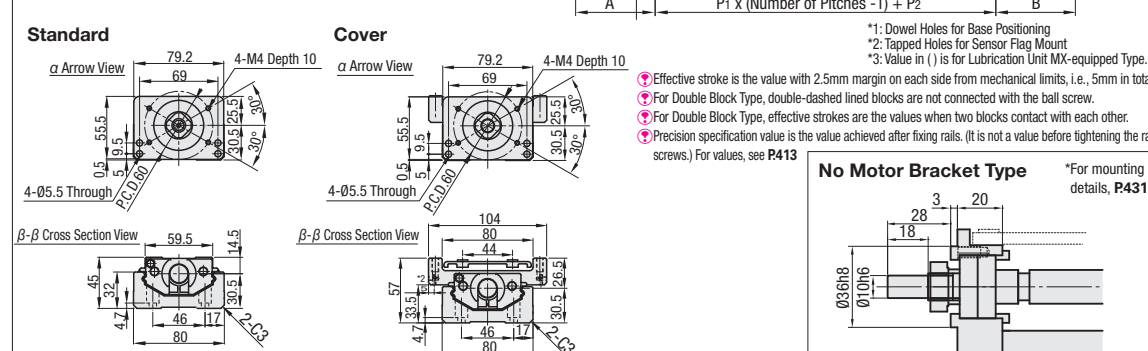
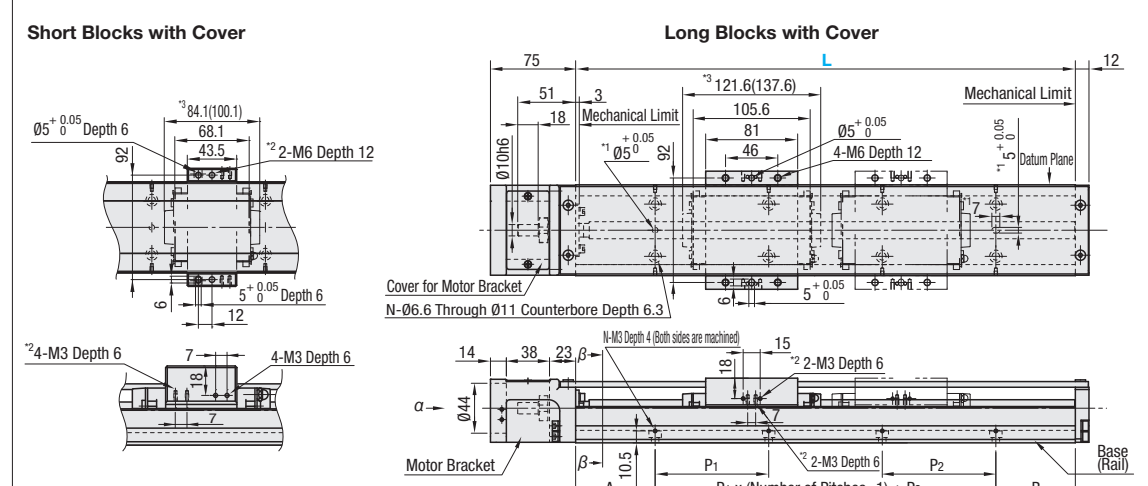
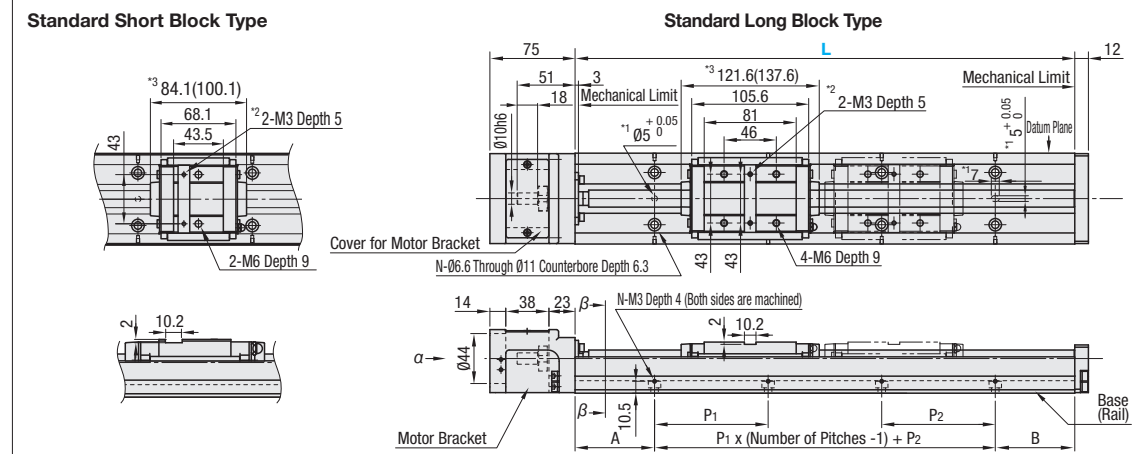
Design / Utility Model Registered

<Standard Long Block Type> <Long Blocks with Cover> <No Motor Bracket Type>

Specifications	
LX45	
Standard / Cover	
Screw Shaft Dia. (mm)	15
Lead (mm)	10, 20
Accuracy	High Grade / Precision Grade
Accessory	
① Motor Adapter Plates ② EN AW-5052 Equiv. ③ Black Anodize ④ Adapter Plate Screw 4 pcs. ⑤ EN 1.4567 Equiv. ⑥ No accessory is included with No Motor Bracket Type.	
* For Material table, see P.411	

Part Number	Standard Grease		Low Dust Generation Grease		Lubrication Unit MX-equipped (Standard Grease)	
	High Grade	Precision Grade	High Grade	Precision Grade	High Grade	Precision Grade
Lead 10	LX4510 (C)	LX4510 (C) P	LX4510 (C) G	LX4510 (C) PG	LX4510 (C) -MX	LX4510 (C) P-MX
Lead 20	LX4520 (C)	LX4520 (C) P	LX4520 (C) G	LX4520 (C) PG	LX4520 (C) -MX	LX4520 (C) P-MX

(C) is for Cover Type. * Low Dust Generation Grease Information P414 * Lubrication Unit MX Information P408



Part Number	Block Qty.	Motor Adapter Plates	Base Length (L)	Mounting Hole Dimensions							
				A	P1	P2	B	Number of Pitches	Number of Holes (N)		
(Standard Grease) LX4510 (C) LX4520 (C)	Long Blocks (1 pc.) B1 (2 pcs.) B2	(Servo Motor) A4538 A4540 MA4560 A4560 E4540 E4555	340 390	70	100	100	70	2	6		
(Low Dust Generation Grease) LX4510 (C) G LX4520 (C) G	Short Blocks (1 pc.) S1 (2 pcs.) S2	(Stepping Motor) T4560 T4556.4 T4585	440 490			50				3	8
(Lubrication Unit MX-equipped, Standard Grease) LX4510 (C) -MX LX4520 (C) -MX	(Lubrication Unit MX-equipped, Standard Grease) LX4510 (C) P-MX LX4520 (C) P-MX	(No Adapter Plate) N (No Motor Bracket) F	540 590			50				4	10
						100				5	12
						50					

* Precision Certificate is enclosed with precision grade products. * Motor adapter plate and mounting screws are not included with No Adapter Plate Type. * (C) is for Cover Type.

Accuracy Standards

Accuracy Standards	High Grade	Precision Grade
Positioning (mm)	0.1	0.025
Backlash (mm)	0.02	0.003
Positioning Repeatability (mm)	±0.005	±0.003
Running Parallelism (mm)	0.035	0.015
Starting Torque (N·cm)	10	

* See P413 for Maximum Velocity.
 * See P412 for Moment of Inertia.

Effective Stroke, Total Mass

Base Overall Length (L)	* Effective Stroke				* Total Mass (kg)									
	MX-unequipped				MX-equipped				Cover					
	B1	B2	S1	S2	B1	B2	S1	S2	B1	B2	S1	S2		
340	210.4	88.8	247.9	163.8	194.4	231.9	5.77	6.69	5.37	5.91	6.59	8.09	5.94	6.78
390	260.4	138.8	297.9	213.8	244.4	281.9	6.37	7.29	5.98	6.51	7.23	8.73	6.57	7.41
440	310.4	188.8	347.9	263.8	294.4	331.9	6.97	7.9	6.58	7.11	7.86	9.36	7.2	8.04
490	360.4	238.8	397.9	313.8	344.4	381.9	7.57	8.5	7.18	7.71	8.49	9.99	7.84	8.68
540	410.4	288.8	447.9	363.8	394.4	431.9	8.18	9.1	7.78	8.31	9.13	10.63	8.47	9.31
590	460.4	338.8	497.9	413.8	444.4	481.9	8.78	9.7	8.39	8.92	9.76	11.26	9.1	9.94

* Effective stroke is indicated in dimensions with a margin of 2.5mm each from the ends.
 * MX-equipped types are +0.024kg.

Servo Motor Application Table

Part Number	Flange Size	Manufacturer	Wattage
A4538	□38	Panasonic	50W/100W
A4540	□40	Yasukawa Electric Corporation Mitsubishi Electric Corporation Keyence Corporation Omron Corporation Sanyo Denki Co., Ltd.	
A4560	□60	Yasukawa Electric Corporation Mitsubishi Electric Corporation Sanyo Denki Co., Ltd. Omron Corporation Keyence Corporation	
MA4560		Panasonic	100W/200W/300W

Servo Motor Application Table

Part Number	Flange Size	Manufacturer	Wattage
E4540	□40	SIEMENS	50W/100W
E4555	□55		

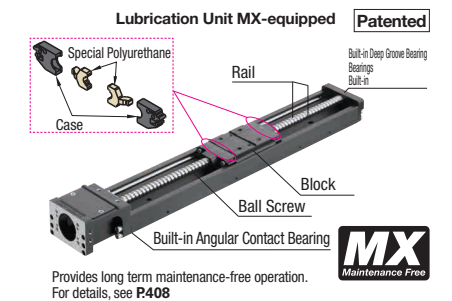
Stepping Motor Application Table

Part Number	Flange Size	Manufacturer	Type
T4560	□60	Oriental Motor	5-phase / α-Step
T4556.4	□56.4	NEMA standards	-
T4585	□85		

* NEMA standards are a set of standards stipulated by National Electrical Manufacturers Association of United States.
 * For details on supported motor types and detailed diagram of Motor Adapter Plates, see P437
 * Not compatible with geared motors made by Oriental Motor.

Ordering Example

Part Number - Block Qty. - Motor Adapter Plates - Base Length (L)
 LX4510C - B1 - A4540 - 540
 LX4520-MX - B1 - A4560 - 390



Unit price for Precision Grade / Low Particle Generation Grease Option / Lubrication Unit MX-equipped

Specifications	Unit Price
Precision Grade	
Low Dust Generation Grease	
Lubrication Unit MX-equipped	

* Listed Price + Unit Price = Product Price
 * Volume Discount Rate is applicable.

High Grade Unit Price

Part Number	L=340	L=390	L=440	L=490	L=540	L=590	Motor Adapter Plates	Block Qty.	Screw Shaft Dia.	Lead
LX45□□-B1/S1-□							Servo Stepping No Adapter Plate	1	15	10
LX45□□-B2/S2-□							No Bracket	2		
LX45□□-B1/S1-F							Servo Stepping No Adapter Plate	1	15	20
LX45□□-B2/S2-F							No Bracket	2		

LX45□□(C) Series sensor set can be specified as an alteration. For Detailed alteration diagram, see P432