
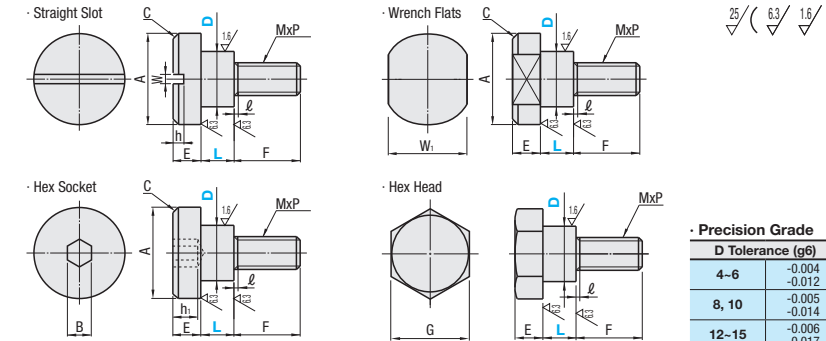


Fulcrum Pins

Selectable



Straight Slot		Hex Socket		Wrench Flats	Hex Head	Material	Hardness	Surface Treatment
Standard Grade	Precision Grade	Standard Grade	Precision Grade	Standard Grade	Standard Grade			
D ^{-0.01} _{-0.05}	Dg6	D ^{-0.01} _{-0.05}	Dg6	D ^{-0.01} _{-0.05}	D ^{-0.01} _{-0.05}	EN 1.1191 Equiv.	40~45HRC	Black Oxide
CBBDD	-	CBDBR	CBDGBR	CBDBW	CBDBL	EN 1.4305 Equiv.	-	-
CBBDH	-	CBDBRH	-	CBDBWH	-	-	-	-
CBD	CBDG	CBDR	CBDR	CBDW	CBDL	-	-	-



L Dimension Tolerance	Standard	
	Unhardened	Hardened
	+0.15 +0.05	+0.2 0

Precision Grade	D Tolerance (g6)	
	4-6	8, 10
	-0.004 -0.012	-0.005 -0.014
	-0.006 -0.017	-0.006 -0.017

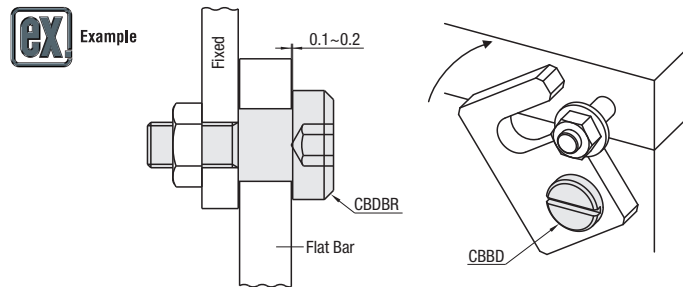
Part Number		D	L Selection	A	E		MxP (Coarse)	F	ℓ	W	B	h	h1	C	W1	G
Type					Straight Slot	Wrench Flats Hex Socket Hex Head										
Straight Slot (Standard)	Wrench Flats (Standard)	4	1 2 3 4 5 6 7 8	6	2	3.5	2.6x0.45	4	0.8	0.8	2	1	2	0.5	5	7
CBBD	CBDBW	5	1 2 3 4 5 6 7 8 10	8	2	4	3x0.5	6	1	2.5	3	1.5	3	0.5	7	8
CBBDH	CBDBWH															
CBD	CBDW	6	2 3 4 5 6 7 8 10	10	2.5	4	4x0.7	8	1.2	1.2	3	1.5	3	0.5	8	10
Hex Socket (Standard)	Hex Head (Standard)	8	5 6 7 8 9 10 12 20	12	3	4.5	5x0.8	10	1.4	1.2	4	1.5	3.5	1	10	13
CBDBR	CBDBL	10	5 6 7 8 9 10 12 15 20	16	4	5	6x1.0	12	1.5	1.5	5	1.8	4	1	13	17
CBDBRH	CBDBL															
Hex Socket (Precision)	Hex Head (Precision)	12	6 7 8 9 10 12 13 15 20	18	5	5	8x1.25	12	1.5	1.5	5	2	4	1	14	19
CBDGBR	CBDR															

For Hex Socket, L≥5

Ordering Example


Part Number	-	L
CBDD6	-	10
CBDDGR8	-	12

D	Unit Price												
	Straight Slot			Hex Socket				Wrench Flats			Hex Head		
	CBBD	CBBDH	CBD	CBDBR	CBDBRH	CBDR	CBDGBR	CBDR	CBDBW	CBDBWH	CBDW	CBDBL	CBDL
4													
5													
6													
8													
10													
12													

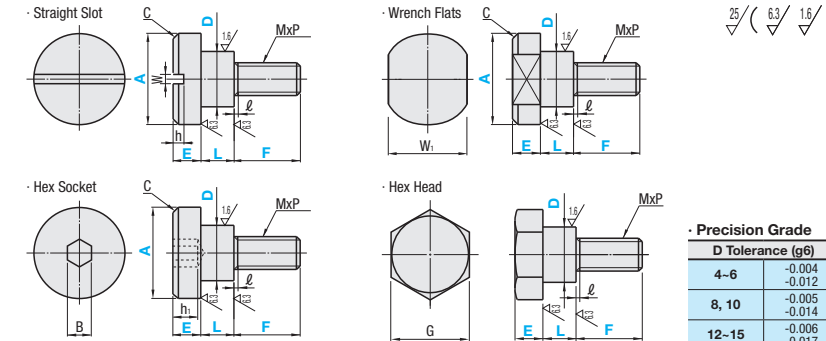


Fulcrum Pins

Configurable



Straight Slot		Hex Socket		Wrench Flats	Hex Head	Material	Hardness	Surface Treatment
Standard Grade	Precision Grade	Standard Grade	Precision Grade	Standard Grade	Standard Grade			
D ^{-0.01} _{-0.05}	Dg6	D ^{-0.01} _{-0.05}	Dg6	D ^{-0.01} _{-0.05}	D ^{-0.01} _{-0.05}	EN 1.1191 Equiv.	40~45HRC	Black Oxide
FCBDD	-	FCBDR	FCBDGR	FCDBW	FCDBL	EN 1.4305 Equiv.	-	-
FCBDH	-	FCDBRH	-	FCDBWH	-	-	-	-
FCBD	FCBDG	FCBDR	FCBDR	FCBDW	FCBDL	-	-	-



L Dimension Tolerance	Configurable	
	Unhardened	Hardened
	+0.1 0	+0.2 0

Precision Grade	D Tolerance (g6)	
	4-6	8, 10
	-0.004 -0.012	-0.005 -0.014
	-0.006 -0.017	-0.006 -0.017

Part Number		D	L=0.1mm Increment	A Selection		E=0.1mm Increment	F=1mm Increment	MxP (Coarse)	ℓ	W	B	h	h1	C	W1	G
Type				For Hex Head, selection is not needed.	For Hex Head, selection is not needed.											
Straight Slot (Standard)	Wrench Flats (Standard)	4	Straight Slot Wrench Flats Hex Head 1.0~20.0	6 8	2.0~4.0	3, 4	2.6x0.45	0.8	0.8	2	1	2	0.5	5	7	
*FCBDD	FCBDBW	5		8 10	3~6	3x0.5	1	0.8	2.5	1	2.5	0.5	7	8		
*FCBDH	FCBDBWH	6		10 12	4~8	4x0.7	1.2	1.2	3	1.5	3	1	8	10		
*FCBD	FCBDW	8		12 16	5~10	5x0.8	1.4	1.2	4	1.5	3.5	1	10	13		
Hex Socket (Standard)	Hex Head (Standard)	10		16 18 20	6~12	6x1.0	1.4	1.4	4	1.8	3.5	1	13	17		
FCBDBR	FCBDBL	12		18 20 22 24	8~12	8x1.25	1.5	1.5	5	2	4	1	14	19		
FCBDBRH	FCBDL	13	20 22 24	10~15	10x1.5	-	-	-	-	-	-	15	19			
Hex Socket (Precision)	Hex Head (Precision)	15														

Machining Conditions: For Hex Socket, L≥5. For Hex Head, selection is not needed. D13 and D15 are not available for the * marked types.

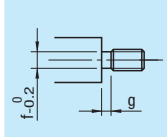
Ordering Example

Part Number	-	L	-	A	-	E	-	F
FCBDD6	-	10.0	-	A10	-	E2.5	-	F6
FCBD6	-	10.0	-	A12	-	E3.0	-	F4

D	Unit Price												
	Straight Slot			Hex Socket				Wrench Flats			Hex Head		
	FCBDD	FCBDH	FCBD	FCBDBR	FCBDBRH	FCBDR	FCBDGR	FCBDR	FCDBW	FCDBWH	FCBDW	FCDBL	FCBDL
4													
5													
6													
8													
10													
12													
13													
15													

Alterations Example

Part Number	-	L	-	A	-	E	-	F	-	(PC)
FCBDD6	-	12.6	-	A10	-	E3.0	-	F6	-	PC
FCBD8	-	16.5	-	A12	-	E3.5	-	F8	-	PC

Alteration	Code	Spec.			
	PC	Adds a relief to M.			
		D	MxPitch	g	f
		4	M2.6x0.45	1.2	1.9
		5	M3 x 0.5	1.2	2.3
		6	M4 x 0.7	1.4	3.2
		8	M5 x 0.8	1.4	4.0
10	M6 x 1.0	1.7	4.8		
12, 13	M8 x1.25	1.7	6.5		
15	M10 x 1.5	2	8.2		