


Bearings with Housings

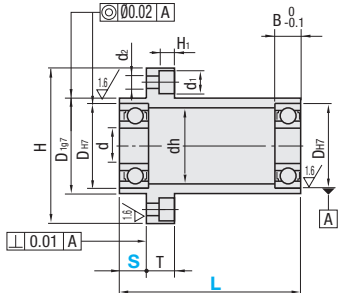
Double Bearings with Long Pilot, Non-Retained, Configurable



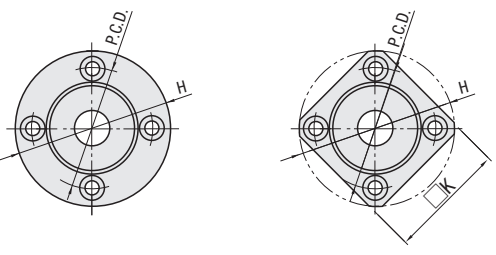
Type		Material		Surface Treatment	
Round	Square	Bearing	Housing	Bearing	Housing
BGFRLB	-	Steel	EN 1.1191	-	Black Oxide
BGFRL	BGFSL	-	Equiv.	-	Electroless Nickel Plating
SBGFRL	-	*Stainless Steel	EN 1.4301 Equiv.	-	-

* Bearings with Rubber Seals (VV and DD) are all made of steel.

Round



Square



6.3 / (1.5 /)

Bearing Accuracy: JIS B 1514 Class 0

Type	Part Number		1mm Increment		d	DH7	Tolerance	B	H	T	dh	D1g7	Tolerance	P.C.D.	K	d1	d2	H1
	Bearing No.	Seal	L	S														
(Round) BGFRLB BGFRL SBGFRL	608	ZZ Double Shielded	51~100	5~85	8	22	0	7	47	8	18	27	-0.007 -0.028	37	36	8	4.5	4.1
	628		51~100	10~80				8	50					20	30			
	6900		61~120	5~105	10	26	+0.021 0	6	47	8	19	27	-0.009 -0.034	37	36	8	4.5	4.1
	6000		61~120	10~100				8	52					22	32			
	6200		61~120	15~95	30	56	24	36	46	42								
	6901		61~120	10~100	24	50	21	30	40	38								
	6001		61~120	10~100	28	54	24	34	44	40								
	6201		71~140	15~115	32	58	26	38	48	43								
	6902		71~140	10~115	28	59	25	35	47	45								
	6002		71~140	15~115	32	62	28	38	50	46								
6202	71~140	15~115	35	66	29	42	54	49										
6904	71~140	15~110	37	72	34	45	59	54										
(Square) BGFSL	6004	*1DD Contact Sealed Rubber Seal	81~160	20~125	20	42	+0.025 0	12	77	11	36	50	-0.010 -0.040	64	59	11	6.6	6.1
	6204		81~160	20~125				14	81					40	54			
	6905		71~140	20~117	42	77	36	50	64	59								
	6005		81~160	20~137	25	88	41	54	72	67								
	6205		81~160	20~137	52	94	45	60	78	72								
	6906		71~140	20~117	47	88	41	54	72	67								
	6006		81~160	20~137	30	96	48	62	80	73								
	6206		121~160	20~137	62	104	55	70	88	79								
	6007		121~160	20~137	35	104	55	70	88	79								

Bearing No.	Seal	Unit Price			
		Round		Square	
		BGFRLB	BGFRL	SBGFRL	BGFSL
608	ZZ (x1.0) VV (x1.1) DD (x1.1)				
628					
6900					
6000					
6200					
6901					
6001					
6201					
6902					
6002					
6202					
6904					
6004					
6204					
6905					-
6005					-
6205					-
6906					-
6006					-
6206					-
6007				-	

*The price of sealed VV and DD are the price shown in the table multiplied by 1.1.

Alterations Part Number - L - S - (NA)
 BGFRLB6000ZZ - 80 - S25 - NA

Alteration	Bearings Not Assembled
Code	NA
Spec.	Bearings are shipped unassembled to the housing.

*Check for available sizes in the price list.

*1 Bearings with Rubber Seals are all made of steel.

Ordering Example

Part Number			L	S
Type	Bearing	Seal		

BGFRLB	608	ZZ	-	70	-	S20
BGFSL	6202	VV	-	80	-	S30