


# Bearings with Housings

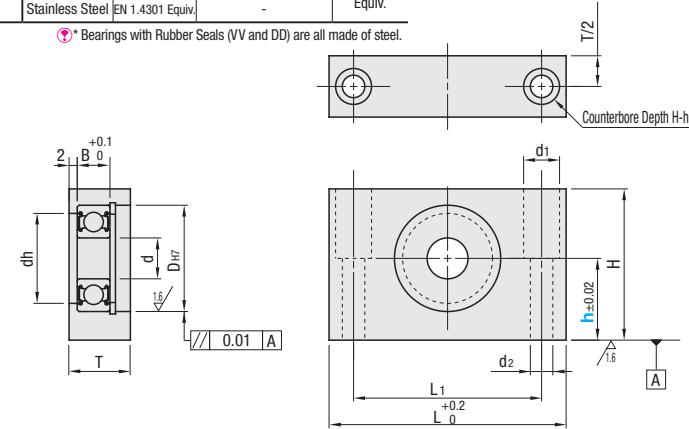
## Blocks



Type	Material		Surface Treatment		Accessory Retaining Ring
	Bearing	Housing	Bearing	Housing	
BGTKB	Steel	EN 1.1191 Equiv.	Black Oxide	Spring Steel	
BGTK	Steel	EN 1.1191 Equiv.	Electroless Nickel Plating	EN 1.4301 Equiv.	
SBGTK	Stainless Steel	EN 1.4301 Equiv.	-	EN 1.4301 Equiv.	

Bearing Accuracy: JIS B 1514 Class 0

RoHS10



Counterbore Depth H-h

h=0.02

0.01 A

0.02 B

0.02 A

Type	Part Number			h Selection	d	DH7	Tolerance	dh	B	H	L	L1	T	d1	d2	Unit Price		
	Bearing No.	Seal														BGTKB	BGTK	SBGTK
BGTKB BGTK SBGTK	608			15 20	8	22	+0.021 0	18	7	h+15	53	41	12	9.5	5.5			
	628			15 20				20	8	h+16	56	44	15					
	6900			20 25	10	26	+0.021 0	19	6	h+15	53	41	12	9.5	5.5			
	6000			20 25				22	8	h+17	58	46	15					
	6200			20 25	12	32	+0.025 0	24	9	h+19	62	50	15	9.5	5.5			
	6901	ZZ		20 25				21	6	h+16	56	44	12					
	6001			20 25	15	32	+0.021 0	24	8	h+18	60	48	15	9.5	5.5			
	6201	VV		20 25				26	10	h+20	64	52	16					
	6902			20 25	17	35	+0.025 0	25	7	h+18	60	48	12	9.5	5.5			
	6002			20 25				28	9	h+20	68	54	15					
	6202	DD		25 30	20	35	+0.021 0	28	9	h+20	68	54	15	9.5	5.5			
	6903			20 25				29	11	h+22	72	58	16					
	6003			25 30	20	40	+0.025 0	27	7	h+19	64	52	13	9.5	5.5			
	6203			25 30				30	7	h+19	64	52	13					
	6904			25 30	20	42	+0.021 0	31	10	h+22	70	56	16	9.5	5.5			
	6004			25 30				34	12	h+24	76	62	19					
	6204			30 35	20	47	+0.025 0	34	9	h+23	73	59	15	9.5	5.5			
								36	12	h+25	82	66	19					
							40	14	h+28	88	72	19	14	9				

The price of sealed VV and DD are the price shown in the table multiplied by 1.1.

Ordering Example

Type	Bearing	Seal	h
BGTKB	6900	ZZ	25
BGTK	6002	VV	20


Alterations

Part Number - h - (NA)  
BGTK6903ZZ - 25 - NA

Alteration Code	Description
NA	Bearings, Retaining Rings Not Assembled
Spec.	Bearings and retaining rings are shipped unassembled to the housing.

# Bearings with Housings

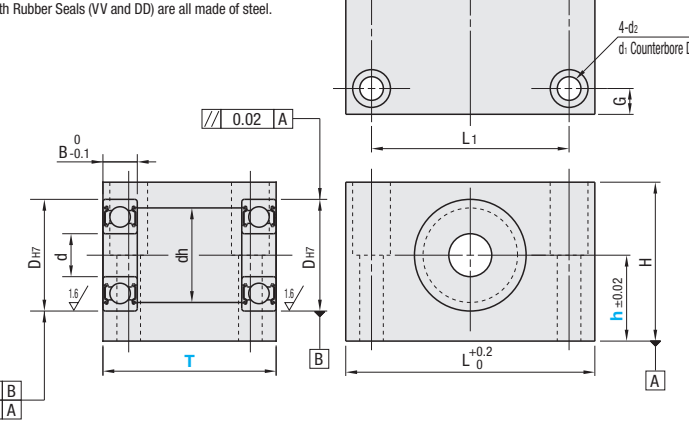
## Block Double Bearings



Type	Material		Surface Treatment		Accessory Retaining Ring
	Bearing	Housing	Bearing	Housing	
BGTWB	Steel	EN 1.1191 Equiv.	Black Oxide	Spring Steel	
BGTW	Steel	EN 1.1191 Equiv.	Electroless Nickel Plating	EN 1.4301 Equiv.	

Bearing Accuracy: JIS B 1514 Class 0

RoHS10



Counterbore Depth (H-h)

h=0.02

0.02 B

0.02 A

Type	Part Number			h Selection	d	DH7	Tolerance	dh	B	H	L	L1	G	d1	d2	Unit Price	
	Bearing No.	Seal														BGTWB	BGTW
BGTWB BGTW	608			15 20	8	22	+0.021 0	18	7	h+15	53	41	6	9.5	5.5		
	628			15 20				20	8	h+16	56	44					
	6900			20 25	10	26	+0.021 0	19	6	h+15	53	41	6	9.5	5.5		
	6000			20 25				22	8	h+17	58	46				15	
	6200			20 25	12	32	+0.025 0	24	9	h+19	62	50	6	9.5	5.5		
	6901	ZZ		20 25				21	6	h+16	56	44				12	
	6001			20 25	15	32	+0.021 0	24	8	h+18	60	48	6	9.5	5.5		
	6201	VV		20 25				26	10	h+20	64	52				16	
	6902			20 25	17	35	+0.025 0	25	7	h+18	60	48	6	9.5	5.5		
	6002			20 25				28	9	h+20	68	54				15	
	6202	DD		25 30	20	35	+0.021 0	28	9	h+20	68	54	6	9.5	5.5		
	6903			20 25				29	11	h+22	72	58				16	
	6003			25 30	20	40	+0.025 0	27	7	h+19	64	52	6	9.5	5.5		
	6203			25 30				30	7	h+19	64	52				13	
	6904			25 30	20	42	+0.021 0	31	10	h+22	70	56	6	9.5	5.5		
	6004			25 30				34	12	h+24	76	62				19	
	6204			30 35	20	47	+0.025 0	34	9	h+23	73	59	6	9.5	5.5		
								36	12	h+25	82	66				19	
							40	14	h+28	88	72	8	14	9			

The price of sealed VV and DD are the price shown in the table multiplied by 1.1.

Ordering Example

Type	Bearing	Seal	T	h
BGTW	6201	VV	30	20
BGTWB	6000	DD	25	20

Alterations

Part Number - T - h - (NA)  
BGTW608VV - 25 - 20 - NA

Alteration Code	Description
NA	Bearings Not Assembled
Spec.	Bearings are shipped unassembled to the housing.