


Slit Couplings

Set Screw, Short / Long

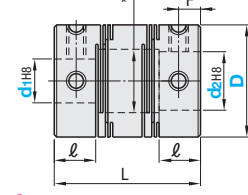
Points of comparison between similar products | Max. Rotational Speed: 19,000~78,000rpm

Features: Because backlash is 0, it is suitable for applications where rotation accuracy is required.

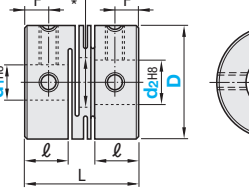
Slit Set Screw



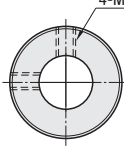
CPL (Aluminum - Long)
CPLS (Stainless Steel - Long)



CPS (Aluminum - Short)
CPSS (Stainless Steel - Short)



4-M



*d₁, d₂ Identical Diameter = d₁+0.5
d₁, d₂ Different Diameters = Large Shaft Diameter + 0.5
• When d₁ is 4mm or less and d₂ is 5mm or more, there are 3 set screws.
• When both d₁ and d₂ are less than 4mm, there are 2 set screws.

Type	Material	Surface Treatment	Accessory
CPL, CPS	Aluminum Alloy	Clear Anodize	Set Screw
CPLS, CPSS	Stainless Steel	-	Set Screw

⚠ The lateral, angular, and axial misalignment values shown are for each occurring individually. When multiple misalignments are occurring simultaneously, the allowable maximum value of each will be reduced to 1/2.
⚠ For the selection criteria and alignment procedures, see **P.1061**.

Part Number	Type	D	d ₁	d ₂				L	ℓ		M (Coarse)	F	Unit Price					
				CPL	CPS	CPLS	CPSS		CPL	CPS			CPL	CPS	CPLS	CPSS		
CPL (Aluminum)	8	12	3	*2	*3	3	4	14	10	3.5	3.4	M2	1.7	CPL	CPLS	CPS	CPSS	
				3	4													
	12	16	4	*4	*5	5	6	18.5	14	5	5.2	M2.5	2.5	CPL	CPLS	CPS	CPSS	
				5	6													
		20	25	5	*5	*6	6	8	23	18	6.5	6.8	M3	3	CPL	CPLS	CPS	CPSS
					6	8												
	25	32	6	*6	*6.35	6.35	8	26	20	7.5	7.65	M3	3	CPL	CPLS	CPS	CPSS	
				6.35	8													
		40	50	8	*8	*10	10	12	31	25	8.5	9.6	M4	4	CPL	CPLS	CPS	CPSS
					10	12												
	CPSS (Stainless Steel)	8	12	3	*6	*8	8	10	41	32	12	12.6	6	CPL	CPLS	CPS	CPSS	
					6	8												
12		16	4	*6	*6.35	6.35	8	56	-	17	-	M5	8.5	CPL	CPLS	CPS	CPSS	
				6.35	8													
		20	25	5	*8	*10	10	12	56	-	17	-	M5	8.5	CPL	CPLS	CPS	CPSS
					10	12												
25		32	6	*8	*10	10	12	56	-	17	-	M5	8.5	CPL	CPLS	CPS	CPSS	
				10	12													
		40	50	8	*10	*11	11	12	56	-	17	-	M5	8.5	CPL	CPLS	CPS	CPSS
					11	12												
50		60	9	*12	*14	12	14	56	-	17	-	M5	8.5	CPL	CPLS	CPS	CPSS	
				12	14													
	60	70	10	*14	*16	14	16	56	-	17	-	M5	8.5	CPL	CPLS	CPS	CPSS	
				14	16													

⚠ CPS and CPSS are available in * marked sizes only.

Part Number	Type	D	Allowable Torque (N·m)	Max. Rotational Speed (r/min)	Moment of Inertia (kg·m ²)	Static Torsional Spring Constant (N·m/rad)	Lateral Misalignment (mm)	Angular Misalignment (°)	Allowable Axial Misalignment (mm)	Screw Tightening Torque (N·m)	Mass (g)		
CPL (Aluminum)	8	12	0.1	78000	1.2x10 ⁻⁸	25	0.10	2	±0.2	0.3	1.4		
			0.4	52000	8.3x10 ⁻⁸	45					3.7		
	12	16	4	0.5	39000	3.3x10 ⁻⁷	80	0.15	2	±0.4	0.7	8.1	
				1	31000	9.0x10 ⁻⁷	170					14	
		20	25	5	2	25000	2.6x10 ⁻⁶					380	27
					4	19000	9.6x10 ⁻⁶					500	60
25	32	6	8	15000	3.2x10 ⁻⁵	700	0.20	±0.5	1.7	130			

Part Number	Type	D	Allowable Torque (N·m)	Max. Rotational Speed (r/min)	Moment of Inertia (kg·m ²)	Static Torsional Spring Constant (N·m/rad)	Lateral Misalignment (mm)	Angular Misalignment (°)	Allowable Axial Misalignment (mm)	Screw Tightening Torque (N·m)	Mass (g)		
CPS (Aluminum)	8	12	0.1	78000	1.0x10 ⁻⁸	24	0.10	1	±0.1	0.3	1		
			0.4	52000	7.0x10 ⁻⁸	80					3.1		
	12	16	4	0.5	39000	2.8x10 ⁻⁷	180	0.15	1	±0.2	0.7	7.4	
				1	31000	7.5x10 ⁻⁷	200					12	
		20	25	5	2	25000	2.3x10 ⁻⁶					780	24
					4	19000	8.0x10 ⁻⁶					1100	50
CPSS (Stainless Steel)	8	12	0.2	78000	2.4x10 ⁻⁸	49	0.10	1	±0.1	0.3	2.7		
			0.3	52000	1.8x10 ⁻⁷	140					7.8		
	12	16	4	0.5	39000	7.2x10 ⁻⁷	240	0.15	1	±0.1	0.7	18	
				1	31000	2.0x10 ⁻⁶	330					32	
		20	25	5	2	25000	6.1x10 ⁻⁶					720	63
					3.5	19000	2.1x10 ⁻⁵					1300	130

⚠ CPS does not allow eccentricity.

Ordering Example: **CPL16** - 5 - 6

⚠ To change the shaft bore diameter, see **P.1071**.

Slit Couplings


Set Screw, Long

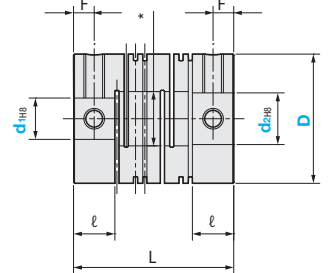
Points of comparison between similar products | Max. Rotational Speed: 10,000rpm

Similar products page **P.1073**

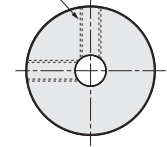
Features: Product quality and performance same as of the conventional products but at lower price. Replaceable from CPL.

GSASL





4-M Set Screw



*d₁, d₂ Identical Diameter = d₁+0.5
d₁, d₂ Different Diameters = Large Shaft Diameter

Type	Material	Surface Treatment	Accessory
GSASL	Aluminum Alloy	Clear Anodize	Set Screw

⚠ The lateral, angular, and axial misalignment values shown are for each occurring individually. When multiple misalignments are occurring simultaneously, the allowable maximum value of each will be reduced to 1/2.
⚠ Tolerances for d₁ and d₂ are values before slit machining.

Part Number	Type	D	d ₁	d ₂				L	ℓ	Set Screw		F	Unit Price
				M (Coarse)	Tightening Torque (N·m)	M	Tightening Torque (N·m)						
Set Screw GSASL	16	20	4	4	5	8	23	6.4	M3	0.7	3	CPL	CPLS
				5	8								
	20	25	5	5	6	8	26	7	M3	0.7	3	CPL	CPLS
				6	8	10							
	25	32	6	6	8	10	31	8	M4	1.7	4	CPL	CPLS
				6.35	8	10							
40		50	8	8	10	12	41	11	M4	1.7	6	CPL	CPLS
				10	11	12							

Characteristic Values

Part Number	Type	D	Allowable Torque (N·m)	Max. Rotational Speed (rpm)	Moment of Inertia (kg·m ²)	Static Torsional Spring Constant (N·m/rad)	Lateral Misalignment (mm)	Allowable Angular Misalignment (°)	Allowable Axial Misalignment (mm)	Mass (g)
GSASL	8	16	0.5	10000	6.5x10 ⁻⁷	44	0.1	2	±0.4	9
		20	1		1.5x10 ⁻⁶	110				16
		25	2		4.2x10 ⁻⁶	215				27
		32	4		1.6x10 ⁻⁵	420				64

⚠ Static torsional spring constant, inertia moment, and mass values are for cases of maximum shaft diameter.

⚠ For the selection criteria and alignment procedures, see **P.1061, 1062**.

Ordering Example: **GSASL20** - 6 - 8