

Conveyor Legs (Mounting Brackets)

Transparent Covers for Conveyor

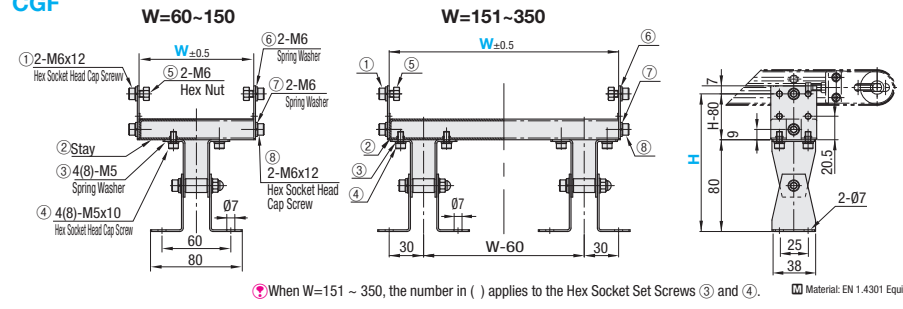
Dedicated web site <http://fa.misumi.jp/cvs/>
 Conveyor selecting, component purchases,
 and easy search for maintenance parts are available.

Conveyor Support Stands



RoHS 10

CGF



When W=151 ~ 350, the number in () applies to the Hex Socket Set Screws (3) and (4). Material: EN 1.4301 Equiv.

W=Frame Width (See main conveyor pages)

Part Number	W 1mm Increment	H 1mm Increment	Unit Price
CGF	60-350	120-160	



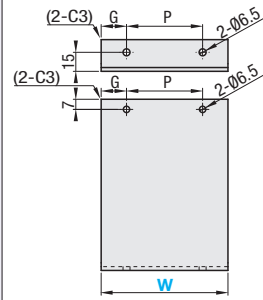
Ordering Example
 Part Number - W - H
 CGF - 220 - 120

Conveyor L Type Mounting Brackets

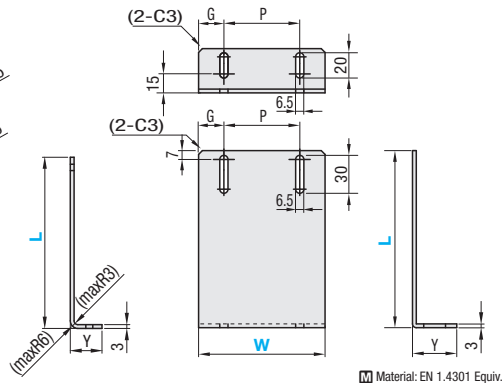


RoHS 10

LGBR (Standard Type)



LGBW (Slotted Hole Type)



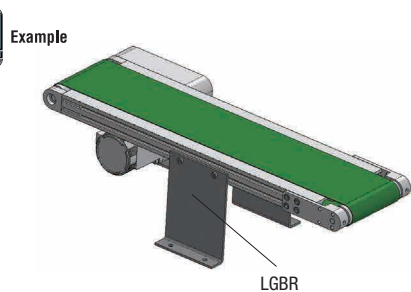
Material: EN 1.4301 Equiv.

Part Number	W	L Selection	P	G	Y	Unit Price
Standard Type LGBR	30	140	20	5	25	
		200				
	60	140	40	10		
		200				
	100	140	60	20		
		200				



Ordering Example
 Part Number - L
 Type W
 LGBR 60 - 200

Part Number	W	L Selection	P	G	Y	Unit Price
Slotted Hole Type LGBW	30	140	20	5	35	
		200				
	60	140	40	10		
		200				
	100	140	60	20		
		200				



LGBR

Transparent Covers for Conveyor

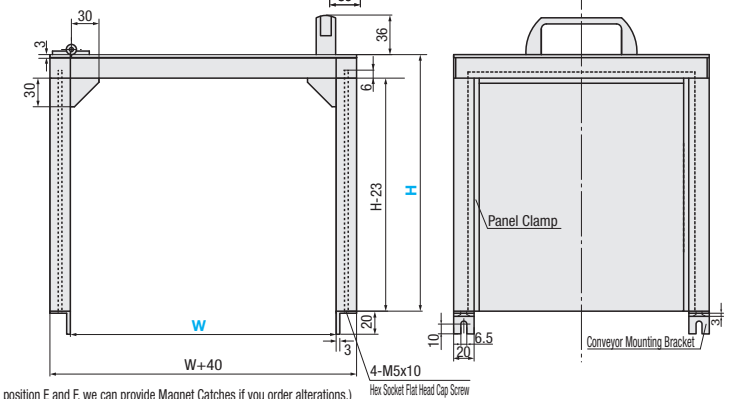
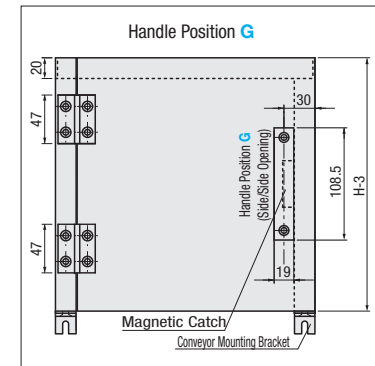
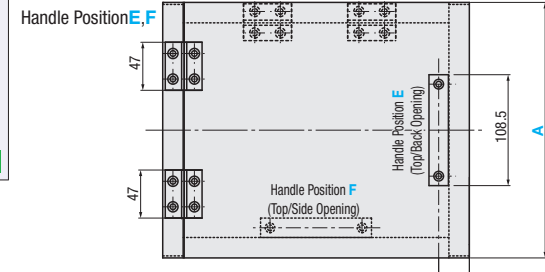


RoHS 10

Type	Material	Grade	Color	Light Transmittance
CTCA	PET	Standard	Transparent	87%
CTCB			Smoke Brown	28%
CTCT		Antistatic	Transparent	77%

Components

No.	Product Name	Part Number
①	Aluminum Extrusion	HFS5-2020
②	PET Material (3mm thickness)	CTCA-PYA CTCB-PYBA CTCT-PYTA
③	Extrusion End Cap	HFC5-2020-S
④	Blind Joint Component	HMJ5
⑤	Panel Clamp	HSCP3H-S
⑥	Reversal Tabbed Bracket	Main Unit HBLFSN5 Hex Socket Head Cap Screw CBM5-10 Pre-Assembly Insertion Nut HNTT5-5
⑦	Hinge	Main Unit HHPST5 Hinge Nut HHPNT5-2 Pre-Assembly Insertion Nut HNTT5-5 Extra Low Hex Head Cap Screw CBSAS-10
⑧	Pull Handle	Main Unit UPCN19-B-36 Nut for Pull Handle Dedicated Part Hex Socket Head Cap Screw CBM5-12
⑨	Conveyor Mounting Bracket	Main Unit (Dedicated Part Aluminum Alloy) Hex Socket Flat Head Cap Screw HFBCM5-B
⑩	Blind Bracket	HBLB5



When the handle position is G, Magnet Catches will be provided. (For the handle position E and F, we can provide Magnet Catches if you order alterations.)
 The panel without the handle will have a transparent cover (PET) in the aluminum extrusion slots (with Panel Clamp HSCP3H-S).
 Assembly will be required on your side. (The assembly instruction manual is included.)

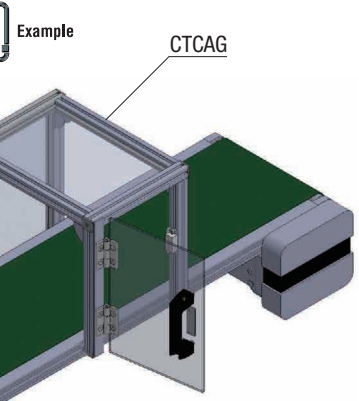
Part Number	Type	Handle Position	Unit Price		
			H 10mm Increment	A 1mm Increment	W 1mm Increment
CTCA (transparent)	E (Top/Back Opening)	150~300	150~200	150~300	
			210~400	301~500	
			410~550	150~300	
	F (Top/Side Opening)		150~200	150~300	
			210~400	301~500	
			410~550	150~300	
CTCB (Smoke Brown)	G (Side/Side Opening)	150~200	150~300		
		210~400	301~500		
		410~550	150~300		
CTCT (Antistatic, transparent)	G (Side/Side Opening)	150~200	150~300		
		210~400	301~500		
		410~550	150~300		



Ordering Example
 Part Number - H - A - W
 Type Handle Position
 CTCA E - 200 - 150 - 300



Alterations
 Part Number - H - A - W - (FCB, MGC, TK, TKL, TKR)
 Type Handle Position
 CTCA F - 200 - 150 - 300 - MGC
 CTCT G - 300 - 300 - 200 - TKL



Alterations	Magnet Catches Included	Assembly and Shipping Services
Code	MGC	TK, TKL, TKR
Spec.	Magnet Catches (MGCC3) for an opening/closing window are included. Applicable to the handle position E and F only	We will fully assemble the product before shipping. Select TK for the handle position E and F, and select TKL (left) or TKR (right) for G. 