

Guide Rail Brackets

Engineering Plastic Rails

Guide Rails and Brackets

Round Type

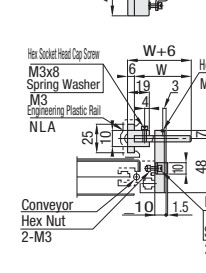
Conveyor Engineering Plastic Guide Rail Brackets - Standard Type



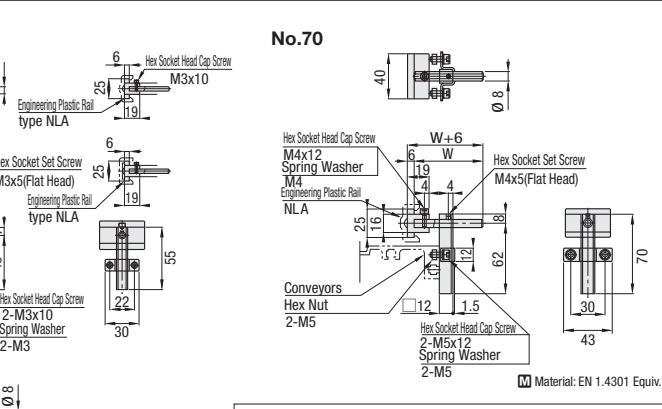
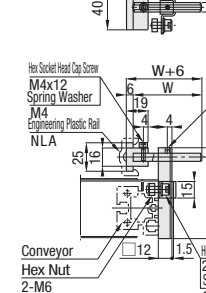
RoHS 10

CGX (W=50, 60) CGXL (W=100)

No.55



No.80



Part Number	Type	No.	W	Unit Price
CGX (W=50,60)		55	50	
		70	60	
		80		
CGXL (W=100)		55	100	
		70		
		80		

Ordering Example
Part Number
Type No.
CGX 55

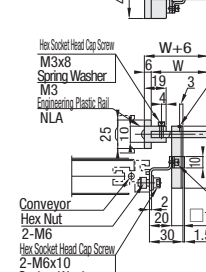
Conveyor Engineering Plastic Guide Rail Brackets - Offset Type



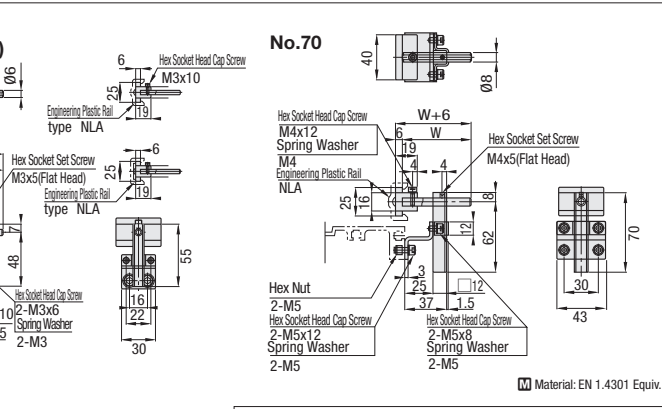
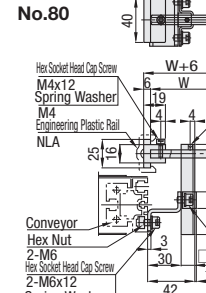
RoHS 10

CGY (W=50, 60) CGYL (W=100)

No.55



No.80



Part Number	Type	No.	W	Unit Price
CGY (W=50,60)		55	50	
		70	60	
		80		
CGYL (W=100)		55	100	
		70		
		80		

Ordering Example
Part Number
Type No.
CGY 70

Alterations

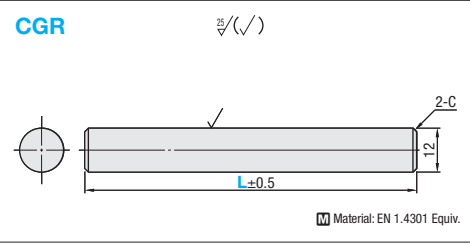
Part Number	Type	No.	
	CGX	70	- (CL)
	CGYL	80	- CL

Alterations	Code	Spec.
Change to Product with Clamp Lever	CL	Hex socket set screws are replaced with the clamp lever (Orange, CLDMC4-8-M Equiv.). ⊗ Not applicable to CGX55/CGXL55/CGY55/CGYL55

Round Bar Conveyor Guide Rails



RoHS 10



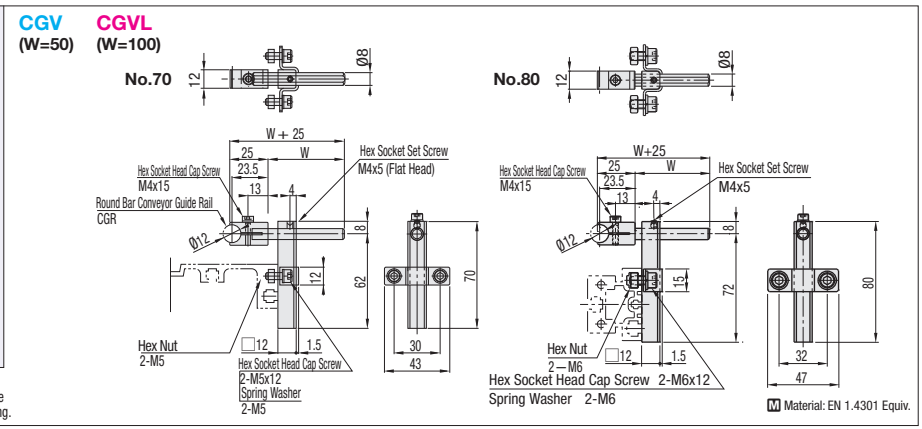
Part Number	L 5mm Increment	Unit Price
CGR	150~300	
	305~500	
	505~750	
	755~1000	

Ordering Example
Part Number - L
CGR - 380

Round Bar Conveyor Guide Rail Brackets - Standard Type



RoHS 10



⊗ NO.55 ~ 80 have different bolt size for the conveyor mount part. Select an appropriate bolt according to the conveyor you are using.

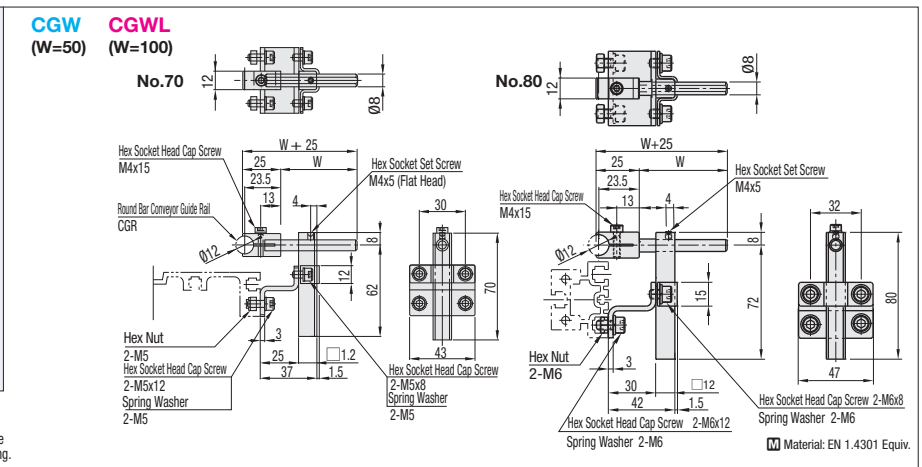
Part Number	Type	No.	W	Unit Price
CGV (W=50)		70	50	
		80		
CGVL (W=100)		70	100	
		80		

Ordering Example
Part Number
Type No.
CGV 70

Round Bar Conveyor Guide Rail Brackets - Offset Type



RoHS 10



⊗ NO.55 ~ 80 have different bolt size for the conveyor mount part. Select an appropriate bolt according to the conveyor you are using.

Part Number	Type	No.	W	Unit Price
CGW (W=50)		70	50	
		80		
CGWL (W=100)		70	100	
		80		

Alterations

Part Number	Type	No.	
	CGW	70	- (CL)
	CGWL	80	- CL

Alterations	Code	Spec.
Change to Product with Clamp Lever	CL	Hex socket set screws are replaced with the clamp lever (Orange, CLDMC4-8-M Equiv.).

Ordering Example
Part Number
Type No.
CGW 80