

Conveyor Work Benches

Folding Type

■ **Features:** Work bench that can be used next to conveyors. It can be folded it when not in use. Suitable for saving space.

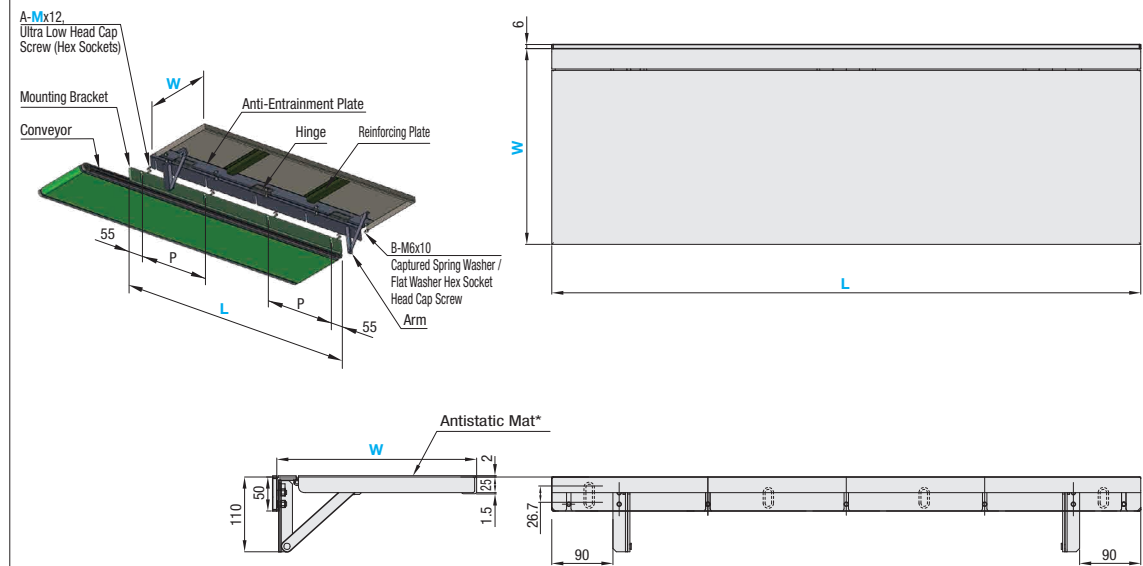


Type	Table Main Unit			Mounting Bracket		Arm
	Material	Surface Treatment	Surface Material Thickness (mm)	Material	Surface Treatment	Material
CGTA	Aluminum Alloy	Clear Anodize	-	Aluminum Alloy	Clear Anodize	EN 1.4301 Equiv.
CGTT	Aluminum Alloy + Natural Rubber (Antistatic, Green)		2			

⚠ The cross-sections and machined hole areas are not anodized.

L	A	B	P	Mounting Bracket Number of Mounting Holes (Scotted Holes)	Hinge Qty.	Reinforcing Plate Qty.
200~300	4	6	L-110	2 pcs.	2 pcs.	0 pc.
310~500	6	8	(L-110)/2	3 pcs.	2 pcs.	1 pc.
510~1000	8	10	(L-110)/3	4 pcs.	3 pcs.	2 pcs.

Back Detail View

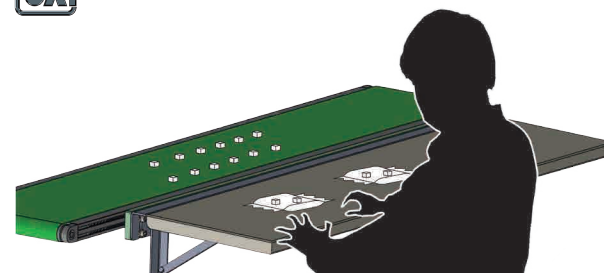


⚠ Mounting brackets will be shipped unassembled. (The installation manual is included.)
 * The antistatic mat is attached to W dimensions and the mounting bracket (plate thickness 6 mm area) with adhesives.

Type	Part Number		W Selection	L 10mm Increment	Allowable Load (Kgf)	Unit Price			
	Table Material	M (Mounting Screw) Selection				L200~300	L310~500	L510~750	L760~1000
CGT	A Aluminum	5 (M5) 6 (M6)	200	260~1000	5.0				
			300						
	T Antistatic (Green)	200							
		300							

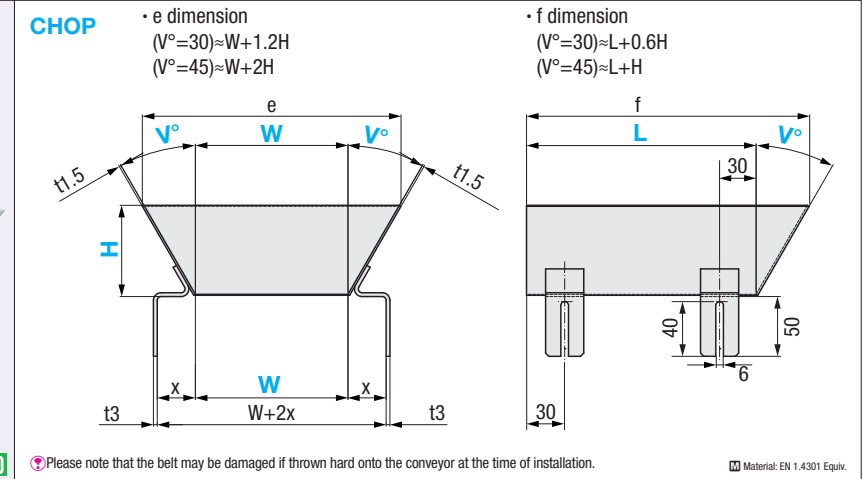
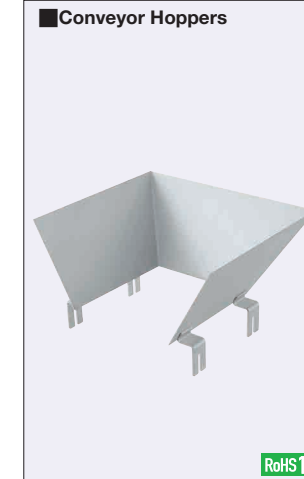
Ordering Example: **Part Number** - **W** - **L**
CGT - **A** - **5** - **200** - **500**

ex Example



Conveyor Hoppers

■ **Features:** It can be used to efficiently input bulk goods to conveyors. Width, length, and height are configurable.



Part Number	Applicable Conveyor Type	L 10mm Increment	W 1mm Increment	H 10mm Increment	X
CHOP	A	100~500	25~500	50~300	20.5
	B				22.5
	C				27.5
	D				21.5

Ordering Example: **Part Number** - **Applicable Conveyor Type** - **L** - **W** - **H**
CHOP30 - **A** - **100** - **100** - **80**

⚠ How to Select W Dimensions: W = B (Conveyor Belt Width) - 5

List of Applicable MISUMI Conveyors

Applicable Conveyor Type	Applicable Conveyors
A	CVGA, CVGB, CVGC, CVGD, CVMA, CVMB
B	CVGN, CVGP, CVGR, CVGW, CVSJA, CVLPA
C	SVKA, SVKB, SVKN, SVKR, CVSE, CVSF, CVSX, CVSY, CVSFA, CVSFB, CVSFC, CVSFD
D	CVSMA

Alterations

Part Number - Conveyor Types - L - W - H - (EA)
CHOP30 - **A** - **100** - **100** - **80** - **EA**

Alterations Code: **EA**

Spec. **EA**
 The ultrahigh molecular weight polyethylene seal is attached to the inner surface of the hopper so that the workpiece will move smoothly.

L	W	Unit Price					
		V					
		30		45			
		H					
		50~100	110~200	210~300	50~100	110~200	210~300
100~200	25~100						
	101~200						
	201~300						
	301~400						
210~300	25~100						
	101~200						
	201~300						
	301~400						
310~400	25~100						
	101~200						
	201~300						
	301~400						
410~500	25~100						
	101~200						
	201~300						
	301~400						

