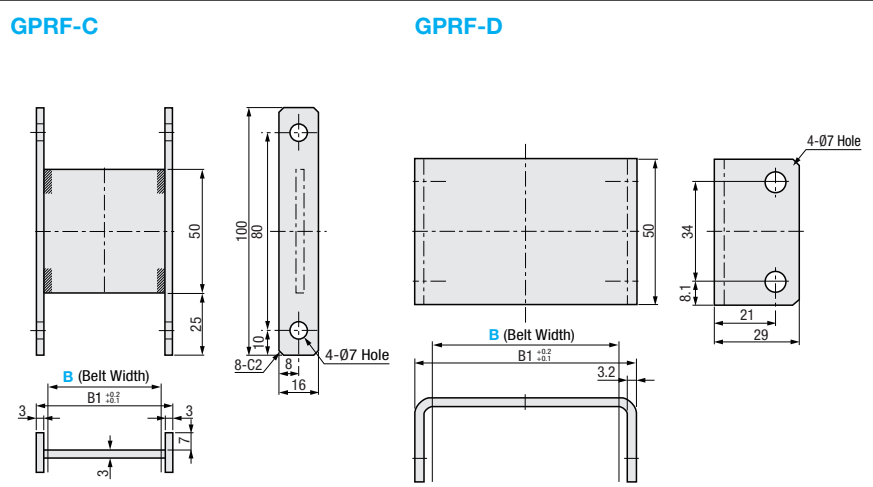


Conveyor Belt Support Cover Reinforcements

Dedicated web site <http://fa.misumi.jp/cvs/>
 Conveyor selecting, component purchases, and easy search for maintenance parts are available.

Conveyor Drive Pulley

Dedicated web site <http://fa.misumi.jp/cvs/>
 Conveyor selecting, component purchases, and easy search for maintenance parts are available.



M Material	EN 1.0038 Equiv.
S Surface Treatment	Trivalent Chromate

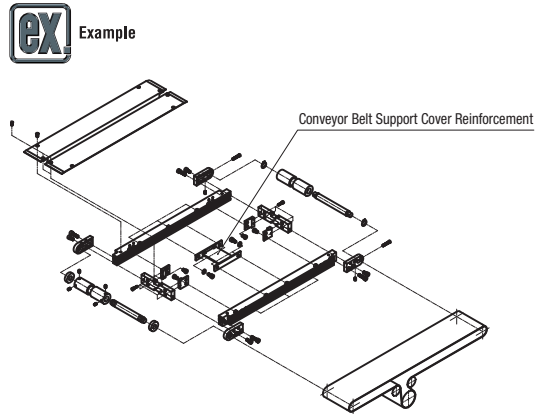
RoHS10

Part Number	Shape Selection	B 1mm Increment	Applicable Conveyors	Unit Price			
				B100~150	B151~200	B201~250	B251~300
GPRF	C	100~300	CVGP				
	D		CVGW				

Ordering Example: **GPRF** - **C** - **100**

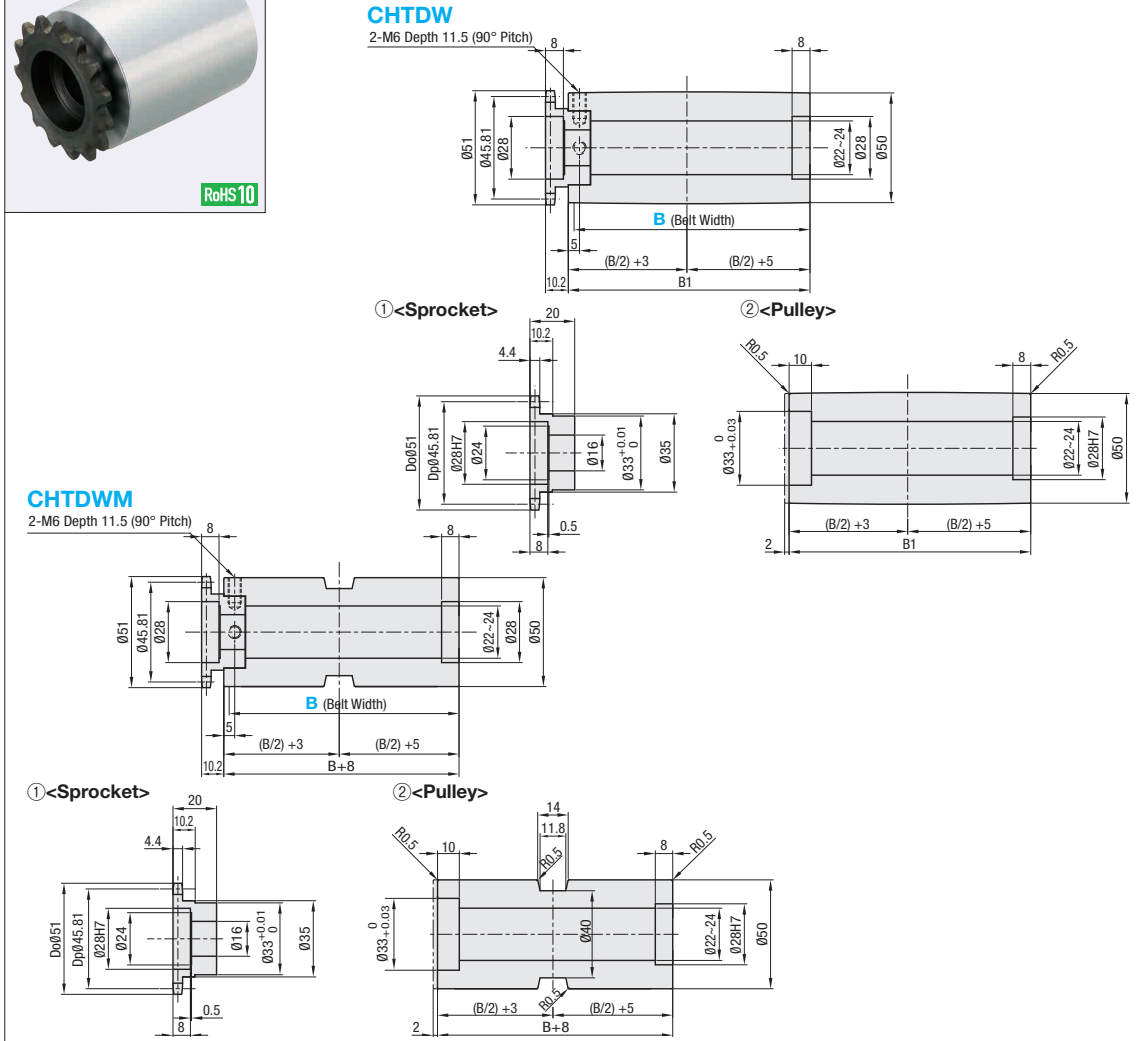
Part Number: **GPRF** - Shape Selection: **C** - B: **100**

- Conveyor belt support cover reinforcements are applicable when the belt width of the target conveyor is 160mm or more and distance between pulleys is 1505mm or more.
- Applicable conveyor CVGP is specified with (B1 = Belt Width - 10).
- Applicable conveyor CVGW is specified with (B1 = Belt Width - 20).



Part Number	Material		Surface Treatment	
	①Sprocket	②Pulley	①Sprocket	②Pulley
CHTDW	EN 1.1191 Equiv.	Aluminum	Black Oxide	Clear Anodize
CHTDWM				

RoHS10



CHTDWM
 2-M6 Depth 11.5 (90° Pitch)

Sprocket and pulley are assembled by press-fit.

Part Number	B (Belt Width) 10mm Increment	Applicable Conveyors	Unit Price							
			B50~100	B110~150	B160~200	B210~250	B260~300	B310~350	B360~400	B410~450
CHTDW	50~450	SVKN								
CHTDWM		SVKR								

B1 dimension is conveyor belt width +8.

Ordering Example: **CHTDW** - **100**

Part Number: **CHTDW** - B: **100**

