


Idler

Belt Backside Tensioning

Idler shafts (cantilever shafts) are selectable from **P881-906**.
 Tensioners can be selected from **P1555, P1556**.



Type	Material		Surface Treatment	
No Flange	Flanged	Main Body	Flange	Bearing
AFBD	AFDF	Aluminum Alloy 2000 series	EN AW-5082 Equiv.	Steel
BFBD	BFDF	EN 1.1191 Equiv.	EN 1.0330 Equiv.	Steel
MFBD	MFDF	EN 1.4301 Equiv.	Stainless Steel	Steel
SFBD	SFDF			Stainless Steel

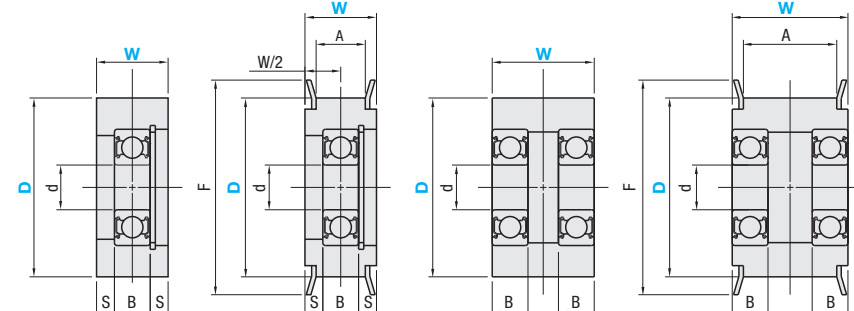
Clear Anodize
Black Oxide
Electroless Nickel Plating

Center Bearing

No Flange: AFBD, BFBD, MFBD, SFBD
 Flanged: AFDF, BFDF, MFDF, SFDF

Both Sides Bearing

No Flange: AFBD
 Flanged: AFDF



⚠ Bearings are press-fitted. * Bearing Accuracy: JIS B1514 Class 0 (before press-fitting)

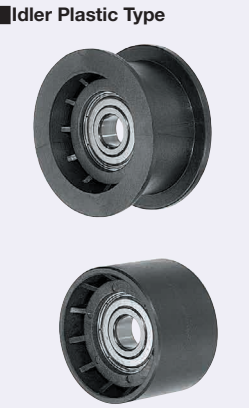
Center Bearing																			
Part Number		W	D	F	A	Applicable Belt Nominal Width		Bearing Dimensions			Retaining Ring		Unit Price						
Type					inch	mm	S	No.	d	B	AFBD	BFBD	MFBD	SFBD	AFDF	BFDF	MFDF	SFDF	
No Flange	9	20	25	5	-	040	2.5	695ZZ	5	4	RTWS13	RTWN13							
		25	30	6	019	-	2.5	696ZZ	6	5	RTWS15	RTWN15							
		30	35	7	060	-	3.0	696ZZ	6	5	RTWS15	RTWN15							
		35	40	7.5	025	-	3.25	696ZZ	6	5	RTWS15	RTWN15							
		40	45	9	031	-	4	698ZZ	8	6	RTWS19	RTWN19							
		45	50	11	037	100	4.5	698ZZ	8	6	RTWS19	RTWN19							
Flanged	19	30	36	14	050	-	6.5	698ZZ	8	6	RTWS19	RTWN19							
		35	45	5	-	-	5.5	628ZZ	8	8	RTWS24	RTWN24							
		45	55	5	-	-	5	6200ZZ	10	9	RTWS30	RTWN30							
		55	65	7	-	150	7	6000ZZ	10	8	RTWS26	RTWN26							
		65	75	6.5	-	-	6.5	6200ZZ	10	9	RTWS30	RTWN30							
		75	85	9	-	-	9	6000ZZ	10	8	RTWS26	RTWN26							
		85	95	8.5	-	-	8.5	6200ZZ	10	9	RTWS30	RTWN30							
		95	105	8.5	-	-	8.5	6200ZZ	10	9	RTWS30	RTWN30							
		105	115	8.5	-	-	8.5	6200ZZ	10	9	RTWS30	RTWN30							
		115	125	8.5	-	-	8.5	6200ZZ	10	9	RTWS30	RTWN30							

Both Sides Bearing													
Part Number		W	Nominal	D	F	A	Applicable Belt Nominal Width		Bearing Dimensions			Unit Price	
Type					inch	mm	S	No.	d	B	No Flange	Flanged	
No Flange	9	15	15	18	5	040		675ZZx2	5	2.5			
		20W	20	25	7	060		675ZZx2	6	3			
		25	20	25	7	060		675ZZx2	5	2.5			
		30	20	25	7	060		675ZZx2	6	3			
		35	20	25	7.5	025	-	675ZZx2	5	2.5			
		40	20	25	7.5	025	-	676ZZx2	6	3			
		45	20	25	9	031	-	686ZZx2	6	5			
		50	25	30	9	031	-	688ZZx2	8	5			
		55	25	32	14	050	-	688ZZx2	8	5			
		60	30	36	14	050	-	688ZZx2	8	5			
Flanged	22	25	32	17	150	-	688ZZx2	8	5				
		35W	35	45	17	150	-	6000ZZx2	10	8			
		40W	40	48	21	075	-	6000ZZx2	10	8			
		45W	45	55	21	075	-	6201ZZx2	12	10			
		55	60	67	22	-	200						
		65	65	74	27	-	250						
		75	65	74	32	-	300						
		85	65	74	32	-	300						
		95	60	67	44	-	400						
		105	70	80	44	-	400						
		115	60	67	53	-	500						

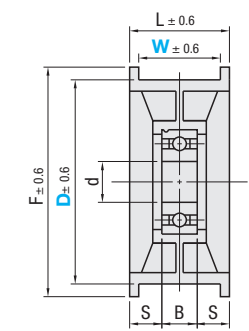
Idlers / Idler Shafts

Plastic

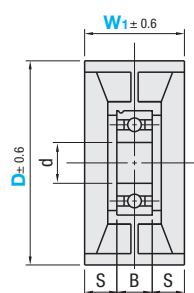
Idler Plastic Type



TPBSN (Flanged Idler)



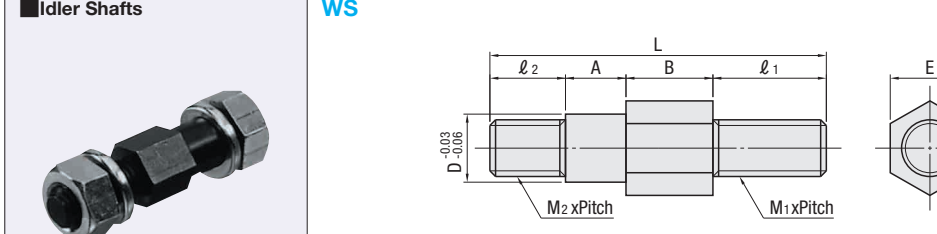
TPCFN (Flat Idler)



Operating Ambient Temp.: 80°C or lower * Bearing Accuracy: JIS B 1514 Class 0 Material: Glass Reinforced Nylon (Engineered Plastic)

Part Number	Type	D	W	W1	F	L	S	Bearing Dimensions			Applicable Idler Shaft	TPBSN	TPCFN
								No.	d	B		Unit Price	Unit Price
	TPBSN	38	15	18	42	18	4.5	6200ZZ	10	9	WS010S	1 - 10 pc(s)	11-30 pcs
	TPBSN	40	-	26	48	26	8	6201ZZ	12	10	WS116S, WS122S	-	-
	TPBSN	45	20	25	50	25	7	6202ZZ	15	11	WS216S	-	-
	TPCFN	46	-	25	52	25	7.5	-	-	-	WS112S, WS116S	-	-
	TPBSN	50	25	31	62	31	10.5	6201ZZ	12	10	WS116S, WS122S	-	-
	TPBSN	60	30	-	66	36	13	-	-	-	-	-	-
	TPBSN	70	28	-	80	35	12	6202ZZ	15	11	WS216S, WS222S	-	-

Idler Shafts



Material: EN 1.1191 Equiv. Surface Treatment: Black Oxide Accessory: Nut 2 pcs., Spring Washer 2 pcs.

For idler shafts of different sizes, refer to cantilever shafts (P881-906).

Part Number		A	B	D	l1	M1xPitch	l2	M2xPitch	E	L	Unit Price	Volume Discount Rate
WS	010S	8.5	10	10	17	-	12	M8x1.25	-	47.5	1 - 10 pc(s)	11-30 pcs.
	112S	-	12	-	-	-	-	-	14	55.5	-	-
	116S	9.5	16	12	-	M10x1.5	14	M10x1.5	-	59.5	-	-
	122S	-	22	-	20	-	-	-	-	65.5	-	-
	216S	-	16	15	-	-	-	-	17	60.5	-	-
	222S	10.5	22	-	-	-	-	-	-	66.5	-	-

Ordering Example: Part Number - W(W1)
 TPCFN50 - 31
 WS222S

For Bearing Dimension Details, see P989, 991.
 For Retaining Ring Dimension Details, see P2-265