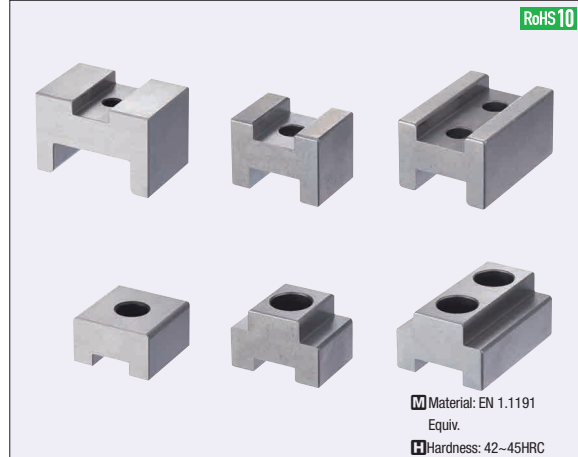


U/T-Shaped Locating Block Sets

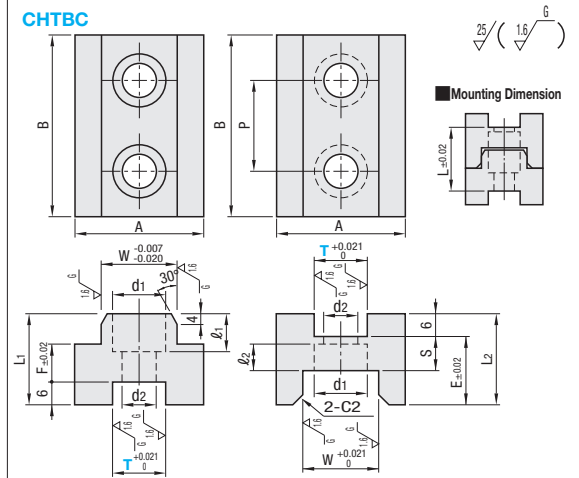
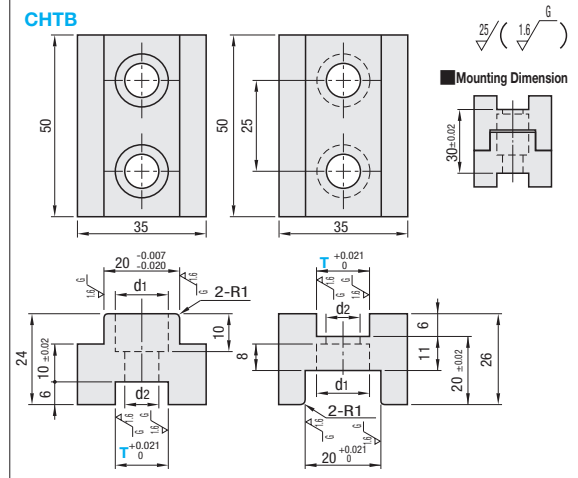
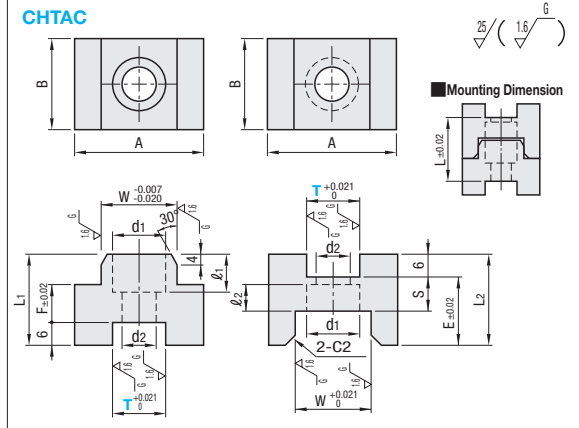
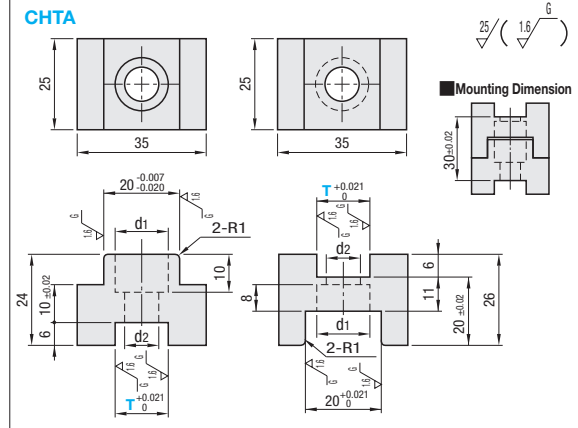
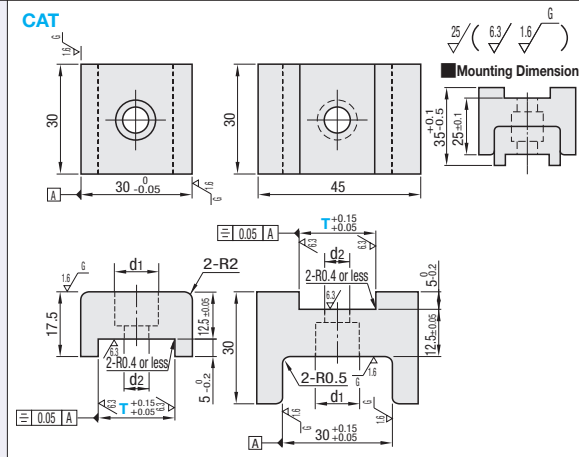
Tapered Pin Locating Block Sets

Standard, Counterbored, Short

■ Features: Uneven shape prevents shifts when mounted.



RoHS 10



Part Number	d1	d2	Unit Price	Volume Discount Rate
Type	T	L	1 - 19 set(s)	20 -
CAT	14	11	6.5	
	16	11	6.5	
	20	11	6.5	
CHTA	12	9.5	5.5	
	16	14	9	
	19	14	9	
CHTB	12	9.5	5.5	
	16	14	9	
	19	14	9	

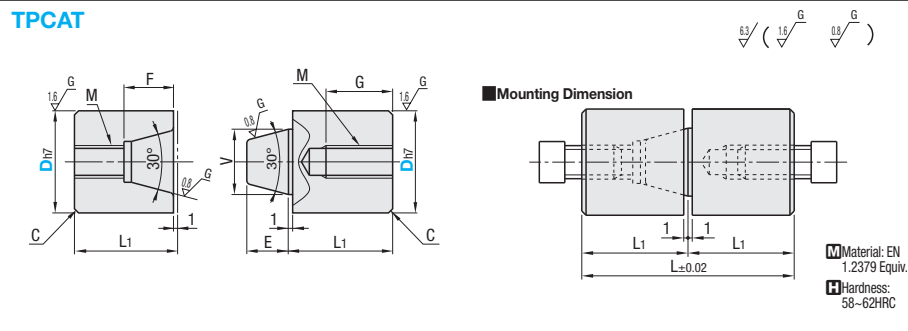
Part Number	d1	d2	L	A	B	W	L1	ℓ1	F	L2	ℓ2	E	S	P	Unit Price	Volume Discount Rate
Type	T														1 - 19 set(s)	20 -
CHTAC	12	9.5	5.5	30	35	25	20	24	10	10	26	8	20	11	-	
	16	14	9	30	35	25	20	24	10	10	26	8	20	11	-	
	16L	9.5	5.5	25	30	20	17	21	6.5	7	24	6	18	9	-	
CHTBC	19	14	9	30	35	25	20	24	10	10	26	8	20	11	-	
	16	14	9	30	35	50	20	24	10	10	26	8	20	11	25	
	16L	9.5	5.5	25	30	40	17	21	6.5	7	24	6	18	9	20	
19	14	9	30	35	50	20	24	10	10	26	8	20	11	25		

Ordering Example Part Number CAT20

■ Features: Tapered tip enables smooth insertion and accurate positioning.



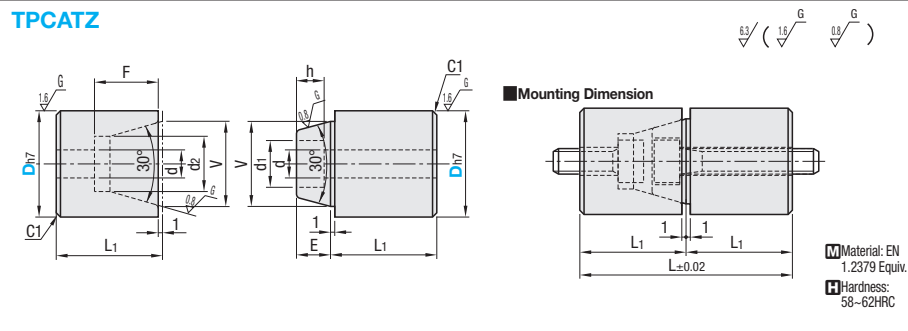
RoHS 10



Part Number	L	L1	F	G	V	E	M	C	Unit Price
Type	Dh7								
TPCAT	12	32	16	7	8	8	M4	0.5	
	12C	24	12	7	5	8	M4	0.5	
	16	32	16	7	10	8	M5	0.5	
	16C	26	13	7	7	10	M5	0.5	
	20	44	22	11	12	12	M6	1	
	20C	36	18	11	8	12	M6	1	
25	50	25	12	16	16	M8	1		
25C	42	21	12	12	16	M8	1		
30	60	30	14	20	20	M10	1		



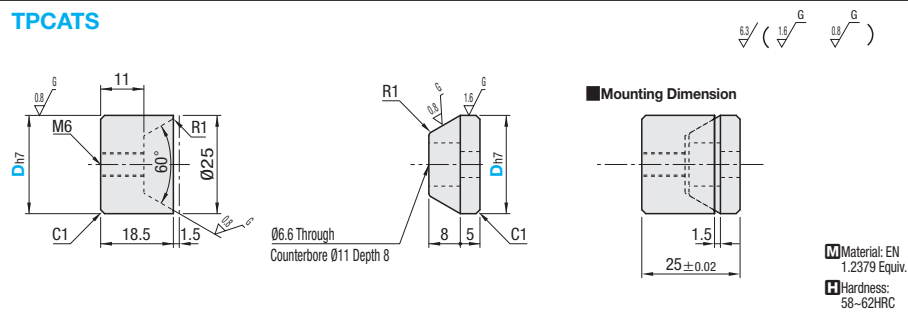
RoHS 10



Part Number	L	L1	F	V	E	d1	d	d2	h	Applicable Screw	Unit Price
Type	Dh7										
TPCATZ	20	44	22	16	16	8	4.5	10	5	M4	
	25	50	25	19	20	9	6.6	13.5	7	M6	
	30	60	30	23	25	12	9	17	9	M8	



RoHS 10



Part Number	Applicable Screw	Unit Price
Type	Dh7	
TPCATS	25	M6

Ordering Example Part Number TPCAT12 TPCATZ25 TPCATS25

