

Toggle Clamps

Side Push (Flange Base)

Features: Please select a product suitable in stroke and clamping force. MC07-9 is a lightweight type with a hollow mount base.

1N=0.101972N

Side Push (Flange Base)



(Clamped)
* Shaft: Nickel Plating

| Part Number | MC07-7 |
|-------------------------|----------------------------------------------------------------------------------|
| Material | Main Body: EN 1.0038 Equiv. / Attaching Portion: EN-JS 1040 Equiv. |
| Surface Treatment | Main Body: * Trivalent Chromate / Attaching Portion: Chemical Conversion Coating |
| Stroke (mm) | 32 |
| Tightening Force (N) | 2270 |
| Weight (g) | 340 |
| Handle Open-Close Angle | 180° |
| Accessory | Steel Bolt |
| Unit Price | |

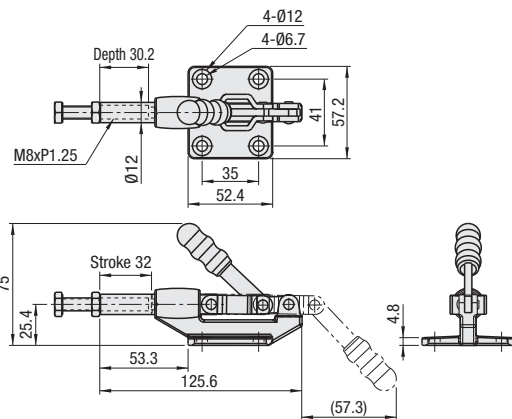
Side Push (Flange Base)



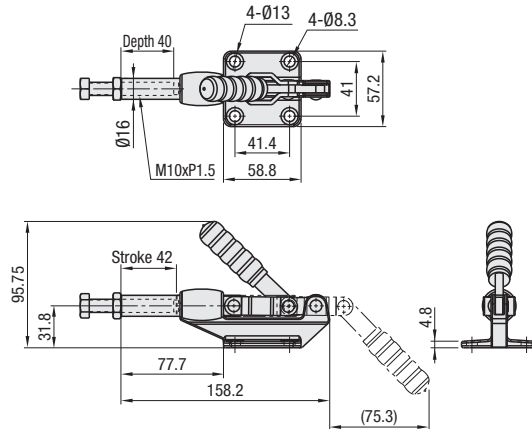
(Clamped)
* Shaft: Nickel Plating

| Part Number | MC07-8 |
|-------------------------|----------------------------------------------------------------------------------|
| Material | Main Body: EN 1.0038 Equiv. / Attaching Portion: EN-JS 1040 Equiv. |
| Surface Treatment | Main Body: * Trivalent Chromate / Attaching Portion: Chemical Conversion Coating |
| Stroke (mm) | 42 |
| Tightening Force (N) | 3860 |
| Weight (g) | 580 |
| Handle Open-Close Angle | 180° |
| Accessory | Steel Bolt |
| Unit Price | |

MC07-7



MC07-8



Side Push (Flange Base)



(Clamped)
* Shaft: Nickel Plating

| Part Number | MC07-9 |
|-------------------------|----------------------|
| Body Material | EN 1.0038 Equiv. |
| Surface Treatment | * Trivalent Chromate |
| Stroke (mm) | 32 |
| Tightening Force (N) | 1360 |
| Weight (g) | 300 |
| Handle Open-Close Angle | 180° |
| Accessory | Steel Bolt |
| Unit Price | |

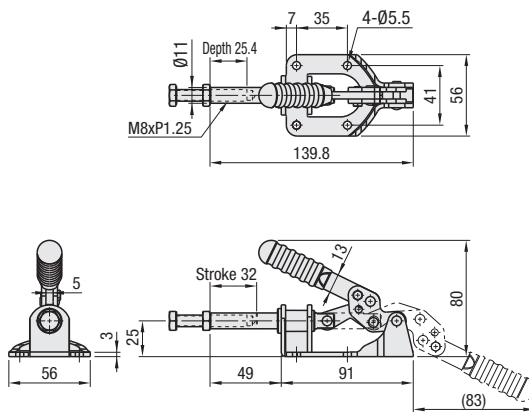
Side Push (Flange Base)



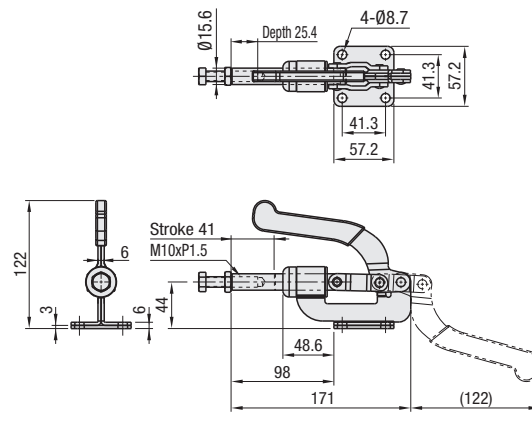
(Clamped)
* Shaft: Nickel Plating

| Part Number | MC07-10 |
|-------------------------|----------------------|
| Body Material | EN 1.0038 Equiv. |
| Surface Treatment | * Trivalent Chromate |
| Stroke (mm) | 41.3 |
| Tightening Force (N) | 3640 |
| Weight (g) | 800 |
| Handle Open-Close Angle | 180° |
| Accessory | Steel Bolt |
| Unit Price | |

MC07-9



MC07-10



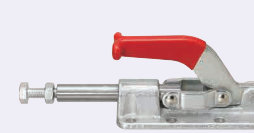
Ordering Example
Part Number
MC07-7

Features: MC07-11 and MC07-13, each having a shorter vertical base length, require smaller installation space.

Features: MC07-12, having the same shape as MC07-6 (P1810), is larger in size and clamping force and longer in stroke.

1N=0.101972N

Side Push (Flange Base)



(Clamped)
* Shaft: Nickel Plating

| Part Number | MC07-11 |
|-------------------------|----------------------|
| Body Material | EN 1.0038 Equiv. |
| Surface Treatment | * Trivalent Chromate |
| Stroke (mm) | 50.8 |
| Tightening Force (N) | 11360 |
| Weight (g) | 935 |
| Handle Open-Close Angle | 180° |
| Accessory | Steel Bolt |
| Unit Price | |

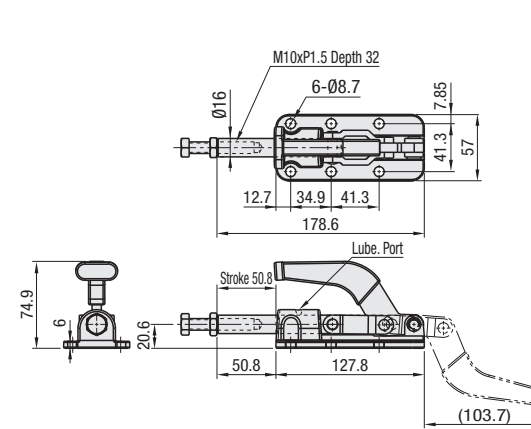
Side Push (Flange Base)



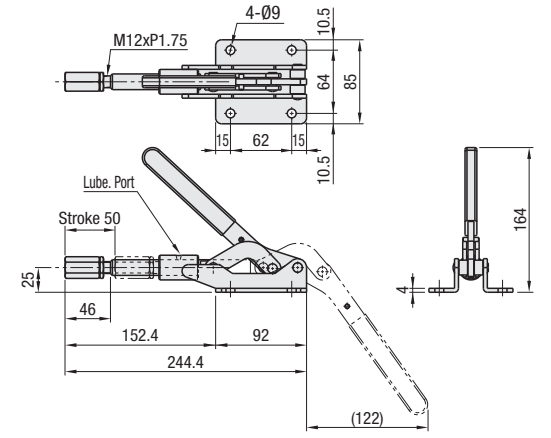
(Clamped)
* Shaft: Nickel Plating

| Part Number | MC07-12 |
|-------------------------|----------------------|
| Body Material | EN 1.0038 Equiv. |
| Surface Treatment | * Trivalent Chromate |
| Stroke (mm) | 50.6 |
| Tightening Force (N) | 4540 |
| Weight (g) | 965 |
| Handle Open-Close Angle | 190° |
| Accessory | Nut |
| Unit Price | |

MC07-11



MC07-12



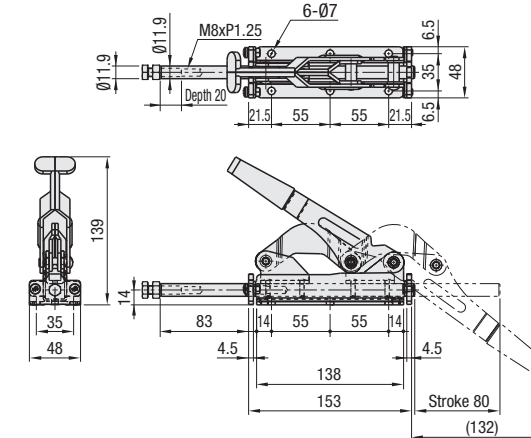
Side Push (Flange Base)



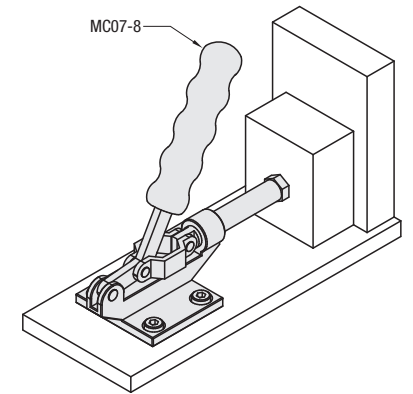
(Clamped)
* Shaft: Nickel Plating

| Part Number | MC07-13 |
|-------------------------|----------------------|
| Body Material | EN 1.0038 Equiv. |
| Surface Treatment | * Trivalent Chromate |
| Stroke (mm) | 80 |
| Tightening Force (N) | 3000 |
| Weight (g) | 1000 |
| Handle Open-Close Angle | 180° |
| Accessory | Steel Bolt |
| Unit Price | |

MC07-13



EX Example



Ordering Example
Part Number
MC07-11