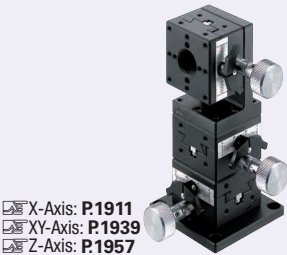


[High Precision] Dovetail Slide, Rack & Pinion / XY: Feed Screw, Z: Rack & Pinion

[High Precision] Dovetail Slide, Feed Screw

■ Features: Dovetail Slide XYZ-Axis Stages with approx. 18mm of travel per rotation.

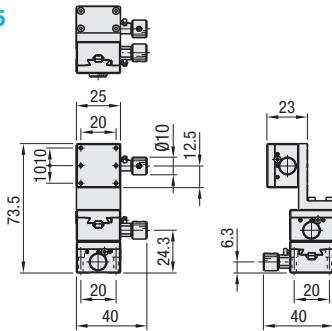
■ XYZ-Axis, Rack & Pinion



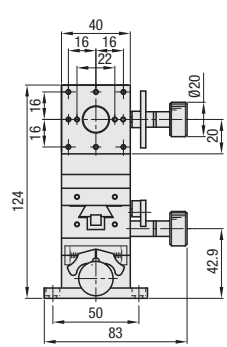
RoHS 10

☒ X-Axis: P.1911
☒ XY-Axis: P.1939
☒ Z-Axis: P.1957

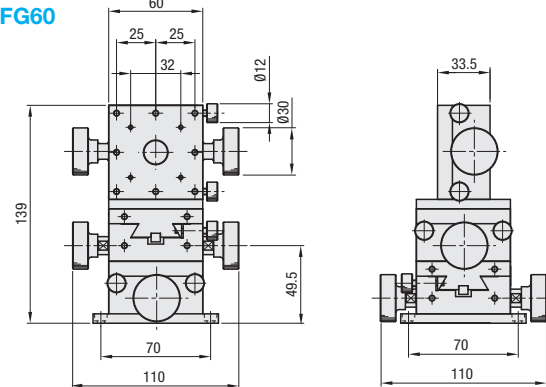
XYZFG25



XYZFG40



XYZFG60



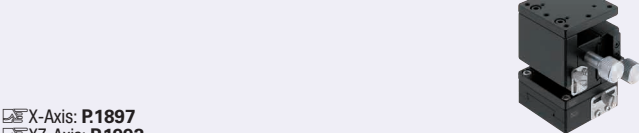
Part Number	Stage Configuration	Stage Surface (mm)	Travel Distance (mm)			Load Capacity (N)	Weight (kg)	Accessory (4 pcs.)	Unit Price
			X	Y	Z				
25	XYFG25	ZFG25 25x25	±5	±5	±5	6.9	0.29	SCB2-12	
40	XYFG40	ZFG40 40x40	±10	±10	±10	14.7	0.61	SCB4-6	
60	XYFG60	ZFG60 60x60	±20	±20	±20	19.6	1.79	SCB4-6	

Ordering Example
Part Number
XYZFG25

☒ For dimension details, material and characteristics, see the CAD data and the catalog page for each stage.
☒ XYFG P.1939, ☒ ZFG P.1957

■ Features: XYZ-Axes Stages with a vertically moving horizontal surface Z-axis.

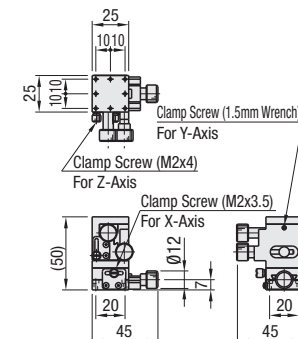
■ XY + Horizontal Surface Z-Axis



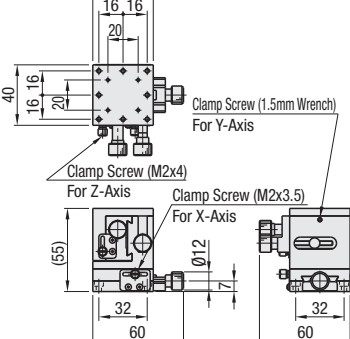
☒ X-Axis: P.1897
☒ XZ-Axis: P.1992

RoHS 10

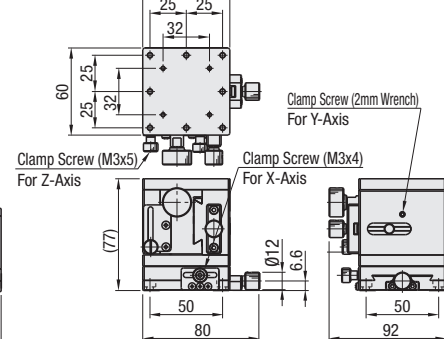
XYZLNG25



XYZLNG40



XYZLNG60



Part Number	Stage Configuration	Stage Surface (mm)	Travel Distance (mm)			Load Capacity (N)	Weight (kg)	Accessory (4 pcs.)	Unit Price
			X	Y	Z				
25	XEG25-R XZLNG25	25x25	±5	±5	+10	9.8	0.24	SCB2-8	
40	XEG40-R XZLNG40	40x40	±7	±7	+7	0.70	SCB3-6		
60	XEG60-R XZLNG60	60x60	±9	±10	+26	1.22	SCB4-6		

Ordering Example
Part Number
XYZLNG25

☒ For detailed dimensions, material and characteristics, see the CAD data and the catalog page for each stage. ☒ XEG P.1897, ☒ XZLNG P.1992

■ Features: XYZ-Axis low profile (height 15mm →) dovetail slide stages with feed screws.

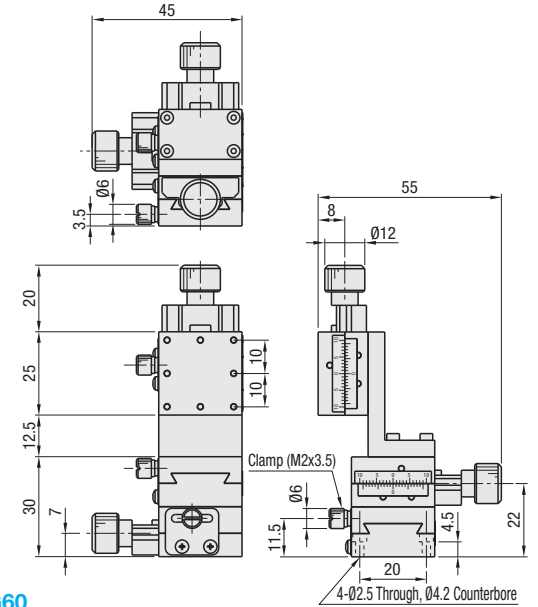
■ XYZ-Axis Feed Screw (Lead 0.5mm)



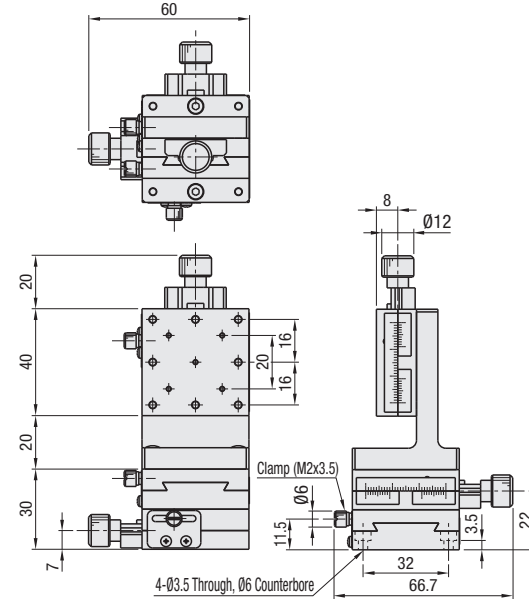
RoHS 10

☒ X-Axis: P.1897
☒ XY-Axis: P.1933
☒ Z-Axis: P.1962

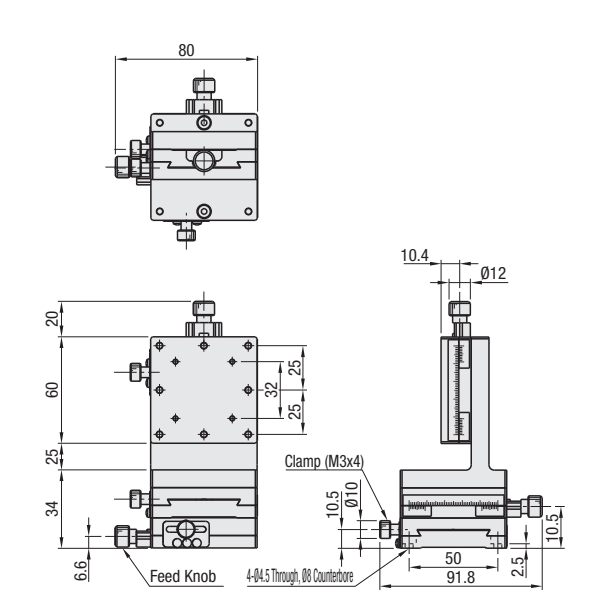
XYZEG25



XYZEG40



XYZEG60



☒ Material: (Main Body) Low Cadmium Brass
(Feed Knob) Aluminum
☒ Surface Treatment: Black Fluororesin Treatment

☒ Standard Stages with Similar Specifications: Combination of XYFES (P.1931) and ZFES (P.1961)

Part Number	Stage Configuration	Stage Surface (mm)	Travel Distance (mm)			Load Capacity (N)	Weight (kg)	Accessory (4 pcs.)	Unit Price
			X	Y	Z				
25	XYEG25	ZEG25 25x25	±5	±5	±5	0.24	SCB2-8		
40	XYEG40	ZEG40 40x40	±7	±7	±7	0.65	SCB3-6		
60	XYEG60	ZEG60 60x60	±9	±9	±9	1.95	SCB4-6		

☒ For detailed dimensions, material and characteristics, see the CAD data and the catalog page for each stage. ☒ XYEG P.1933, ☒ ZEG P.1962

☒ Extension Cover HDEXT12 (Sold Separately): 012 knob can be extended. ☒ P.2004

Ordering Example
Part Number
XYZEG25