

Brackets for Sensor with Stands

Plastic Stands / Stand Sheet Metal Type


Bracket Components for Sensor with Stands

Pipe Shafts / Stands / Brackets / Plastic Strut Clamps / Flexible Clamps


■ **Features:** Sensors can be installed right after the purchase since Stands, Pipe Shafts and Brackets are already included in a set.

■ **Plastic Stands**

1-Shaft Pipe

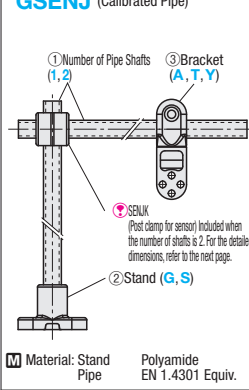


2-Shaft Pipe



RoHS10

■ **SENJ GSENJ** (Calibrated Pipe)



① Number of Pipe Shafts (1, 2)
② Stand (G, S)
③ Bracket (A, T, Y)

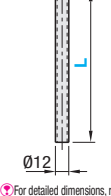
Ⓜ Material: Stand Pipe Polyamide EN 1.4301 Equiv.

Ⓢ When 2-shaft configuration is selected, SENJK (Strut Clamp for sensor on the right-hand page) is included.

Ⓣ For detailed dimensions of each product, refer to the drawing on the next page.

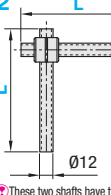
① Number of Pipe Shafts

1



Ⓢ For detailed dimensions, refer to the next page: SENP, GSENP

2

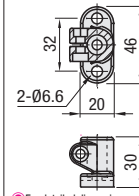


Ⓢ These two shafts have the same L dimension.

Ⓣ For detailed dimensions, refer to the next page: SENP, GSENP

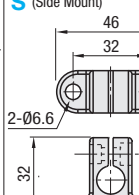
② Stand

G (Flat Mount)



Ⓢ For detailed dimensions, refer to the next page: SENJG

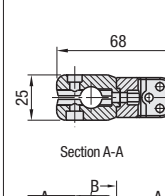
S (Side Mount)



Ⓢ For detailed dimensions, refer to the next page: SENJS

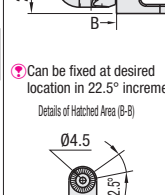
③ Bracket

A (Perpendicular Shaft Mount, Tip Rotation)



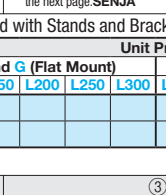
Ⓢ For detailed dimensions, refer to the next page: SENRT

T (Parallel Shaft Mount)



Ⓢ For detailed dimensions, refer to the next page: SENRT

Y (Perpendicular Shaft Mount)



Ⓢ Can be fixed at desired location in 22.5° increment. Details of Hatched Area (B-B)


Ⓣ For detailed dimensions, refer to the next page: SENRY

■ **Plastic Stands** Ⓢ Dedicated nuts, dedicated washers and M5 hex socket head cap screws are included with Stands and Bracket set.


Part Number	L Selection	Stand	Bracket	Unit Price										
				Stand G (Flat Mount)			Stand S (Side Mount)							
Type	Number of Pipe Shafts			L100	L150	L200	L250	L300	L100	L150	L200	L250	L300	
SENJ	1	G (Flat Mount)	T (Parallel Shaft Mount)											
GSENJ	2	S (Side Mount)	Y (Perpendicular Shaft Mount) A (Perpendicular Shaft Mount, Tip Rotation)											

■ **Stand Sheet Metal Type**

1-Shaft Pipe

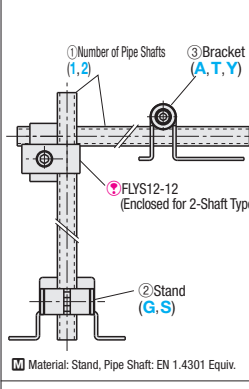


2-Shaft Pipe



RoHS10

■ **SENRR GSENR** (Calibrated Pipe)



① Number of Pipe Shafts (1, 2)
② Stand (G, S)
③ Bracket (A, T, Y)

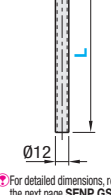
Ⓜ Material: Stand, Pipe Shaft: EN 1.4301 Equiv.

Ⓢ When 2-shaft configuration is selected, FLYS12-12 (next page) is included.

Ⓣ For detailed dimensions of each product, refer to the drawing on the next page.

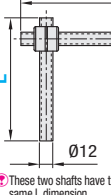
① Number of Pipe Shafts

1



Ⓢ For detailed dimensions, refer to the next page: SENRR

2

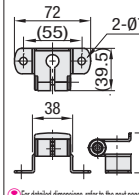


Ⓢ These two shafts have the same L dimension.

Ⓣ For detailed dimensions, refer to the next page: SENRR

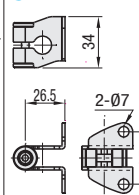
② Stand

G (Flat Mount)



Ⓢ For detailed dimensions, refer to the next page: SENRRG

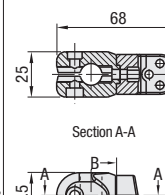
S (Side Mount)



Ⓢ For detailed dimensions, refer to the next page: SENRS

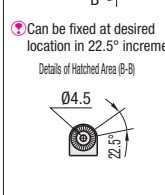
③ Bracket

A (Perpendicular Shaft Mount, Tip Rotation)



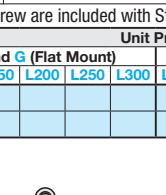
Ⓢ For detailed dimensions, refer to the next page: SENRT

T (Parallel Shaft Mount)



Ⓢ For detailed dimensions, refer to the next page: SENRT

Y (Perpendicular Shaft Mount)



Ⓢ Can be fixed at desired location in 22.5° increment. Details of Hatched Area (B-B)

Ⓣ For detailed dimensions, refer to the next page: SENRY

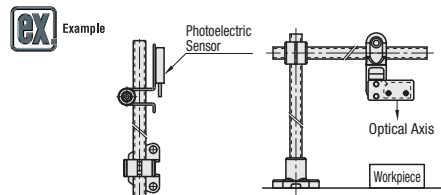
■ **Stand Sheet Metal Type** Ⓢ A dedicated nut, a dedicated washer and an M5 hex socket head cap screw are included with Stand and Bracket set.

Part Number	L Selection	Stand	Bracket	Unit Price										
				Stand G (Flat Mount)			Stand S (Side Mount)							
Type	Number of Pipe Shafts			L100	L150	L200	L250	L300	L100	L150	L200	L250	L300	
SENRR	1	G (Flat Mount)	T (Parallel Shaft Mount)											
GSENR	2	S (Side Mount)	Y (Perpendicular Shaft Mount) A (Perpendicular Shaft Mount, Tip Rotation)											


Ordering Example: Part Number - L - Stand - Bracket

GSENJ 2 - 100 - S - A

SENRR 1 - 150 - G - Y

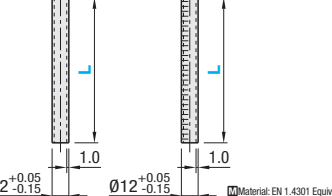


■ Pipe for Mounting Sensor Pipe for Mounting Sensor with Scale



RoHS10

■ SENP GSENP (Calibrated)




Ⓜ Material: EN 1.4301 Equiv.

Part Number	L Selection	Unit Price				
		L100	L150	L200	L250	L300
SENJ	100 150 200 250 300					
GSENP						

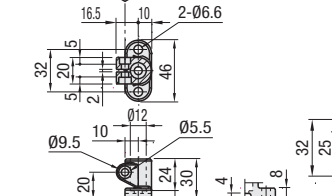
Ordering Example: Part Number - L
SENJ - 300

■ Plastic Stands - Flat Mount / Side Mount



RoHS10

■ SENJG SENJS (Flat Mount / Side Mount)



Ⓜ Material: Polyamide


Ⓢ Accessory: M5 Nut 1 pc. Bolt (Trivalent Chromate) SENJG: M5-15 1 pc. SENJS: M5-12 1 pc.

Part Number	Unit Price	Volume Discount Rate
SENJG		
SENJS		

Ⓢ For orders larger than indicated quantity, please check with WOS.

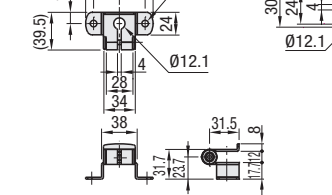
Ordering Example: Part Number
SENJG

■ Sheet Metal Stands - Flat Mount / Side Mount



RoHS10

■ SENRRG SENRS (Flat Mount / Side Mount)



Ⓜ Material: EN 1.4301 Equiv.


Ⓢ Accessory: Dedicated Washer 1 pc. Dedicated Nut 1 pc. Screw (Trivalent Chromate) SENRRG: M5-30 1 pc. SENRS: M5-25 1 pc.

Part Number	Unit Price	Volume Discount Rate
SENRRG		
SENRS		

Ⓢ For orders larger than indicated quantity, please check with WOS.

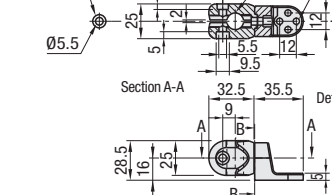
Ordering Example: Part Number
SENRRG

■ Plastic Brackets - Perpendicular Shaft Mount / Tip Rotation



RoHS10

■ SENJA



Ⓜ Material: Polyamide


Ⓢ Accessory: M5 Nut 2 pcs. Screw (Trivalent Chromate) M5-20 1 pc. M5-15 1 pc.

Part Number	Unit Price	Volume Discount Rate
SENJA		

Ⓢ For orders larger than indicated quantity, please check with WOS.

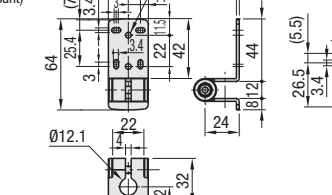
Ordering Example: Part Number
SENJA

■ Sheet Metal Brackets - Parallel Shaft Mount / Perpendicular Shaft Mount



RoHS10

■ SENRT SENRY (Parallel Shaft Mount / Perpendicular Shaft Mount)



Ⓜ Material: EN 1.4301 Equiv.


Ⓢ Accessory: Dedicated Nut 1 pc. Screw (Trivalent Chromate) M5-23 1 pc. Dedicated Washer 1 pc.

Part Number	Unit Price	Volume Discount Rate
SENRT		
SENRY		

Ⓢ For orders larger than indicated quantity, please check with WOS.

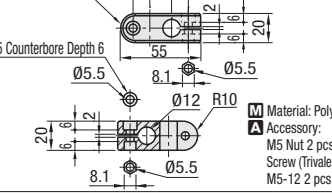
Ordering Example: Part Number
SENRT

■ Plastic Strut Clamps



RoHS10

■ SENJK

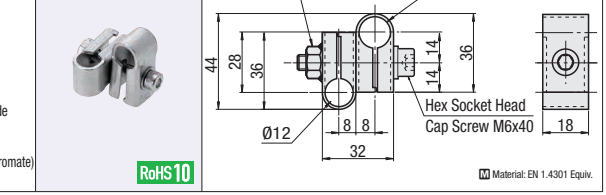


Ⓜ Material: Polyamide

Ⓢ Accessory: M5 Nut 2 pcs. Screw (Trivalent Chromate) M5-12 2 pcs.

■ Flexible Clamps

FLYS12-12



Ⓜ Material: EN 1.4301 Equiv.

Part Number	Unit Price	Volume Discount Rate	Ordering Example	Part Number	
				Unit Price	Part Number
SENJK	1 ~ 9 pc(s)	10 - 50 pcs.	SENJK	FLYS12-12	
				Ordering Example	FLYS12-12

Ⓢ For orders larger than indicated quantity, please check with WOS.

Ⓢ For the other materials and sizes, refer to P2186.