

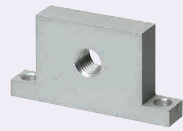
# Holders for Proximity Sensors / Sensor Flags / Sensor Flag Brackets

# Proximity Sensor Flags

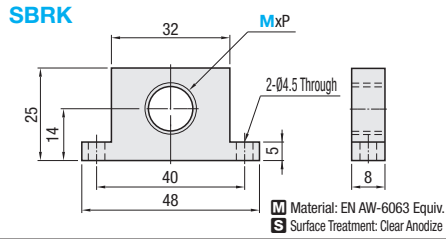
## Set Screw / Slit

■ Features: Can be used in combination with Rails for Switches and Sensors - Aluminum (No. 4) on P.2077~P.2083

### Holders for Proximity Sensors



RoHS 10



Part Number	Type	No.	M	MxP (Fine)	Unit Price	Volume Discount Rate
SBRK		4	8	8x1.0		10~50
			12	12x1.0		

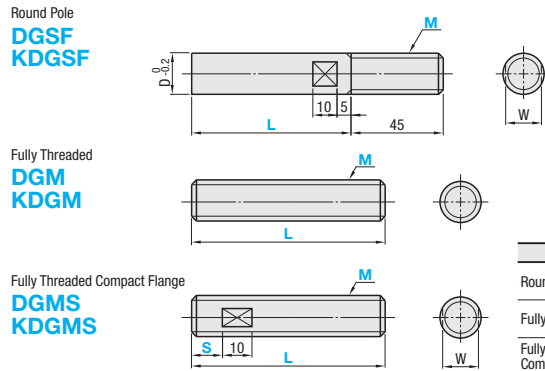
For orders larger than indicated quantity, please check with WOS.

Ordering Example: Part Number - M  
 SBRK4 - 8

### Sensor Flags



RoHS 10



Type	M	Material	S	Surface Treatment
Round Pole	DGSF	EN 1.1191 Equiv.		Black Oxide
Fully Threaded	DGM			Black Oxide
Fully Threaded Compact Flange	DGMS			Black Oxide

Part Number	Type	M (Coarse)	L	5mm Increment	D	W	DGSF Unit Price				KDGSF Unit Price					
							L50~100	L105~200	L205~400	L405~600	L50~100	L105~200	L205~400	L405~600		
Round Pole DGSF KDGSF		10		50~500	10	8										
		12		50~600	12	10										
		16		50~600	16	12										

Part Number	Type	M (Coarse)	L	5mm Increment	DGM Unit Price			KDGM Unit Price		
					L50~100	L105~200	L205~400	L50~100	L105~200	L205~400
Fully Threaded DGM KDGM		10		50~400						
		12		50~400						
		16		50~400						

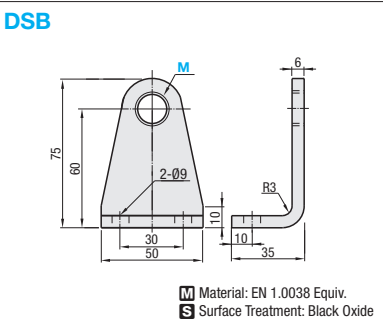
Part Number	Type	M (Coarse)	L	5mm Increment	S	W	DGMS Unit Price			KDGMS Unit Price		
							L50~100	L105~200	L205~400	L50~100	L105~200	L205~400
Fully Threaded Compact Flange DGMS KDGMS		10		50~400	0≤S≤L-10	8						
		12		50~400	0≤S≤L-10	10						
		16		50~400	0≤S≤L-10	14						

Ordering Example: Part Number - L - S  
 DGSF10 - 150  
 DGMS16 - 300 - 100

### Sensor Flag Brackets



RoHS 10

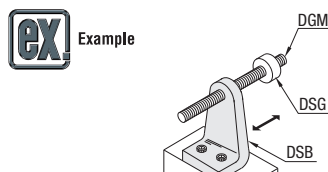


M Material: EN 1.0038 Equiv.  
 S Surface Treatment: Black Oxide

Part Number	Type	M (Coarse)	Unit Price	Volume Discount Rate
DSB		10		10~50
		12		
		16		

For orders larger than indicated quantity, please check with WOS.

Ordering Example: Part Number - DSB12



Limit Switch Flags P.2093, 2094

### Set Screw

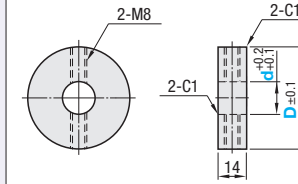


RoHS 10

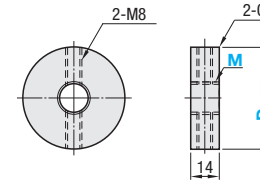
Part Numbers in are not RoHS compliant.

Shaft Bore	Type	M	Material	S	Surface Treatment	A	Accessory
Disc Type with Through Hole	DSS		EN 1.1191 Equiv.		Black Oxide		Set Screw 2 pcs.
Disc Type with Tapped Hole	DMG, DMGFS		EN 1.1191 Equiv.		Black Oxide		Set Screw 2 pcs., Brass Ball 2 pcs.

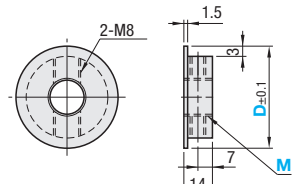
Disc Type with Through Hole and Set Screw  
 DSS



Disc Type with Tapped Hole and Set Screw  
 DMG (With Brass Ball)



Stepped Type with Tapped Hole and Set Screw  
 DMGFS (With Brass Ball)



### With Through Hole and Set Screw

Part Number	Type	D	d	Unit Price	Volume Discount Rate	
						1 ~ 9 pc(s).
DSS		25	8			
		30	10			
		40	12	16		
		50	12	16		

For orders larger than indicated quantity, please check with WOS.

Ordering Example: Part Number - d, M  
 Type D - d, M  
 DSS 25 - 8

### With Tapped Hole and Set Screw

Part Number	Type	D	M (Coarse)	Unit Price	Volume Discount Rate	
						1 ~ 9 pc(s).
DMG		25	8			
		30	8	10		
		40	12	16		
		50	12	16		
DMGFS		40	12			
		50	12	16		

For orders larger than indicated quantity, please check with WOS.

Ordering Example: Part Number - d, M  
 Type D - d, M  
 DSS 25 - 8

Limit Switch Flags P.2093, 2094

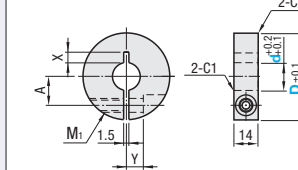
### With Slit



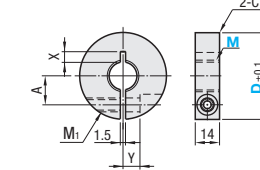
RoHS 10

Type	M	Material	S	Surface Treatment	A	Accessory
DSG, DMS, DMSL		EN 1.1191 Equiv.		Black Oxide		Hex Socket Head Cap Screw 1 pc.

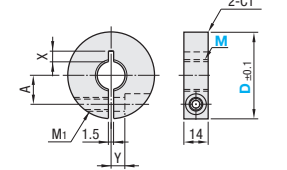
Disc Type with Through Hole and Slit  
 DSG



Disc Type with Tapped Hole and Slit  
 DMS



Disc Type with Tapped Hole and Slit, Deep C-bore  
 DMSL



### Disc Type with Through Hole and Slit

Part Number	Type	D	d	M <sub>1</sub> (Coarse)	A	X	Y	Unit Price	Volume Discount Rate
								1 ~ 9 pc(s).	10~50
DSG		30	10	M5	9.0	6	6		
		40	12		16	14.0	7	8	
		50	12	16	M6	16.5	10	10	

For orders larger than indicated quantity, please check with WOS.

### Disc Type with a Tapped Hole and Slit

Part Number	Type	D	M (Coarse)	M <sub>1</sub> (Coarse)	A	X	Y	Unit Price	Volume Discount Rate
								1 ~ 9 pc(s).	10~50
DMS		30	10	M5	9.0	6	6		
		40	12		16	14.0	7	8	
		50	12	16	M6	16.5	10	10	
DMSL		50	12	M6	15.5	10	6		

For orders larger than indicated quantity, please check with WOS.

Ordering Example: Part Number - d, M  
 Type D - d, M  
 DSG 40 - 16  
 DMS 30 - 10

