
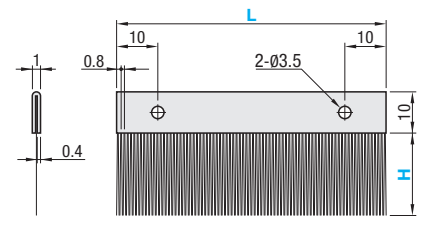


Neutralization Brushes / Conductive Copper Foil Tape / Neutralization Tapes

Neutralization Brushes



Type	Material	
	Holder	Brush
EBRS	EN AW-1050 Equiv.	EN 1.4301 Equiv. (12μm)

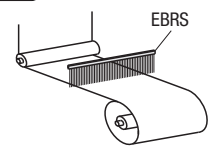


When L≥201, there will be 3 holes 10mm away from both ends and on the center.

Part Number		L 1mm Increments	Unit Price				
Type	H		L50-100	L101-200	L201-300	L301-400	L401-500
EBRS	10	50~500					
	20						


Ordering Example: Part Number - L
EBRS10 - 500

Example



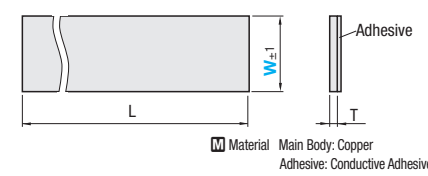
Static prone locations of transfer lines.

Conductive Copper Foil Tape



RoHS10

ECTP



Features

- Usable in a wide range of applications to secure electroconductivity of equipments.
- Electroconductive adhesive with electric resistance of 160mΩ/4cm² is used.

Characteristic Value

Item	Unit	Value
Electric Resistance of Adhesive Layer	mΩ/4cm ²	160
Tensile Strength	N/cm	39.2
Adhesive Strength (for Stainless Steel 180 deg. Peeling Strength)	gf/20mm	700
Elongation	%	-


The above values are not guaranteed values but an example of measured values.

Part Number		L (Meter)	T(mm)	Unit Price 1 ~ 19 pc(s).	Volume Discount Rate 20~50
Type	W(mm)				
ECTP	50	10	0.08		

L dimension is in meters.
Peel off backing paper to adhere it to an object. Clean the mating surface off oil and dust.
Can be cut with a utility knife.

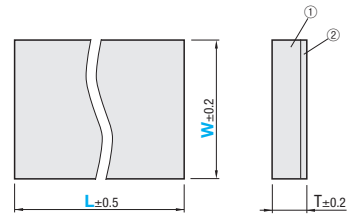
Ordering Example: Part Number
ECTP50

Neutralization Tapes



RoHS10

Type	Material	
	①	②
ELTA	Silver Plating Polyester Fiber	Electric Conductivity Acrylic Adhesive Layer



Part Number		L 1mm Increments	T	Unit Price				
Type	W			L20-100	L101-200	L201-300	L301-400	L401-500
ELTA	10	20~500	0.6					
	25							
	50							

Ordering Example: Part Number - L
ELTA10 - 500