


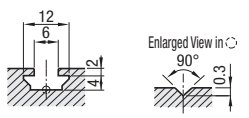
Flanged Flat Extrusions / Extrusion End Caps

Common to Bar Nuts and Pre-Assembly Insertion Nuts



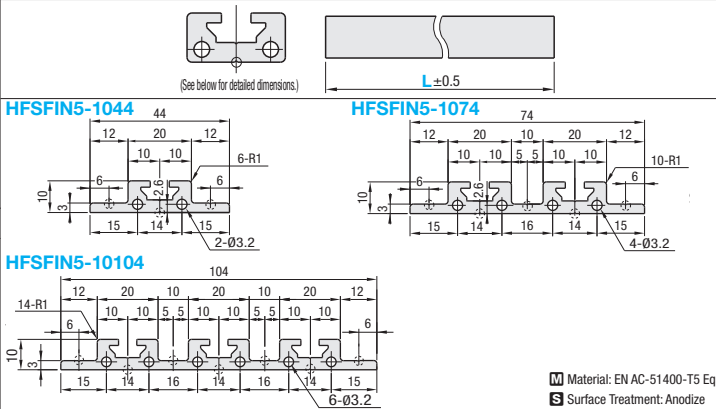
Slot Shape

HNTT5 SQN5 M5Nut to be inserted



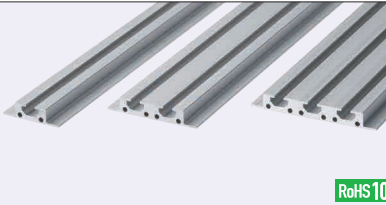
Material: EN AC-51400-T5 Equiv.
Surface Treatment: Anodize

HFSFIN5-1044 (44) **HFSFIN5-1074** (74) **HFSFIN5-10104** (104)



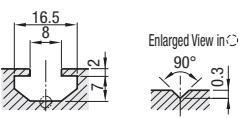
Non-flanged HFSPURE5-8516, HFSFIN5-1020 are listed on the previous page.

Part Number Type	Extrusion	L 1mm Increment	Mass kg/m	Sectional Area mm ²	Cross Sectional Moment of Inertia mm ⁴		Applicable Extrusion End Cap	Unit Price (Less than 300mm)	Unit Price/m (300mm or More)
					lx	ly			
HFSFIN5	1044	50-3000	0.55	203	0.16x10 ⁴	2.43x10 ⁴	HFCFIN5-1020		
	1074		0.99	364	0.30x10 ⁴	13.68x10 ⁴			
	10104		1.42	526	0.44x10 ⁴	40.88x10 ⁴			



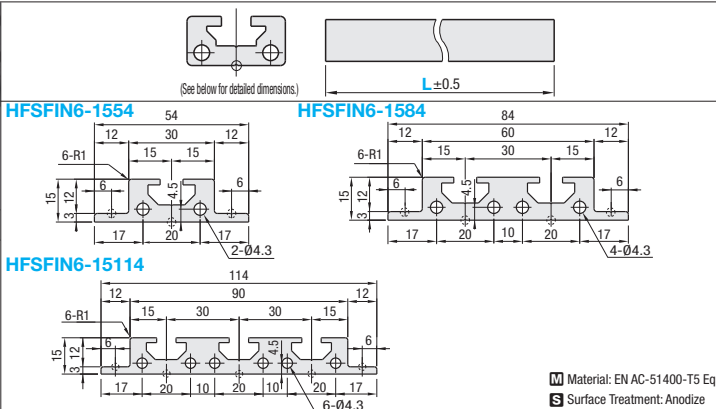
Slot Shape

HNTT6 to be inserted



Material: EN AC-51400-T5 Equiv.
Surface Treatment: Anodize

HFSFIN6-1554 (54) **HFSFIN6-1584** (84) **HFSFIN6-15114** (114)



Non-flanged HFSPURE6-1220, HFSFIN6-1530, HFSPURE8-1830 are listed on the previous page.

Part Number Type	Extrusion	L 1mm Increment	Mass kg/m	Sectional Area mm ²	Cross Sectional Moment of Inertia mm ⁴		Applicable Extrusion End Cap	Unit Price (Less than 300mm)	Unit Price/m (300mm or More)
					lx	ly			
HFSFIN6	1554	50-3000	1.01	374	0.78x10 ⁴	6.10x10 ⁴	HFCFIN6-1530		
	1584		1.83	676	1.43x10 ⁴	28.69x10 ⁴			
	15114		2.64	979	2.07x10 ⁴	81.74x10 ⁴			

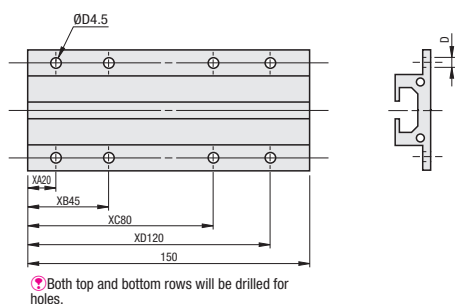
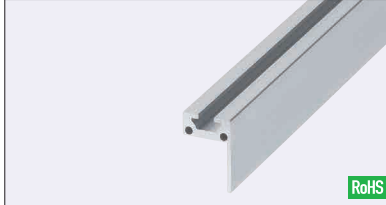
Ordering Example: Part Number - L
HFSFIN5-1044 - 1200

When L<300mm
Unit prices are indicated in the table regardless of the length.
When L≥300mm
Prices are calculated as follows:
Unit Price/m x Specified O.A.L. = Sales Price

Alterations Specified hole machining is available.

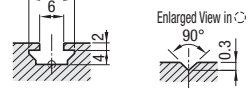
The hole intervals are specified in XA, XB, XC, XD, XE order from the left end.
HFSFIN5 - 1044 - 150 - D4.5 - XA20 - XB45 - XC80 - XD120

Alterations	Through Hole					Unit Price	
	D Selection	XA	XB	XC	XD		XE
Code	ØD	Distance from the Left End mm					1 Through Hole
Spec.	ØD	Distance from the Left End mm					
Specifications of Hole Size and Position	3.5	7~(L-7)					
	4.5						
	5.5						
	6.5						

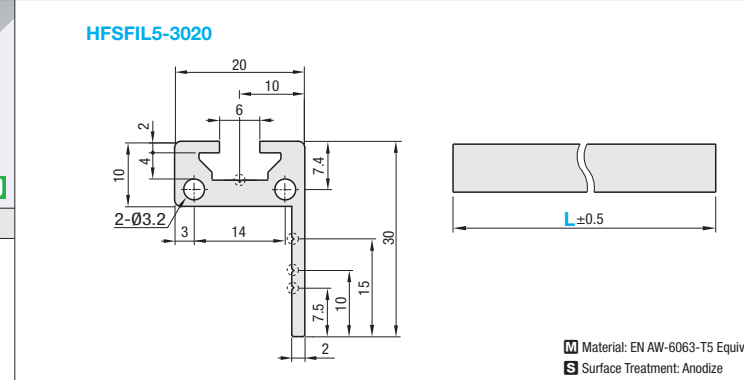
Slot Shape

HNTT5 SQN5 M5Nut to be inserted



Material: EN AW-6063-T5 Equiv.
Surface Treatment: Anodize

HFSFIL5-3020



Part Number Type	Extrusion	L 1mm Increment	Mass kg/m	Sectional Area mm ²	Cross Sectional Moment of Inertia mm ⁴		Applicable Extrusion End Cap	Unit Price (Less than 300mm)	Unit Price/m (300mm or More)
					lx	ly			
HFSFIL5	3020	50-3000	0.45	166	0.89x10 ⁴	0.77x10 ⁴	HFCFIN5-1020		

Ordering Example: Part Number - L
HFSFIL5-3020 - 1200

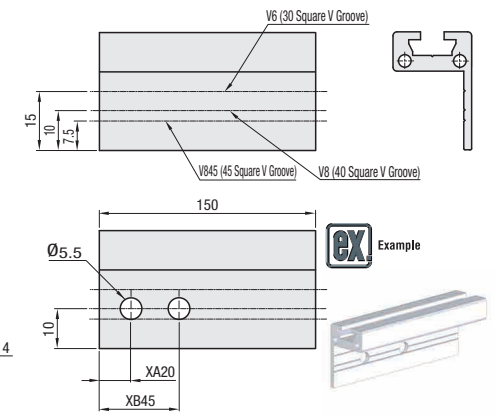
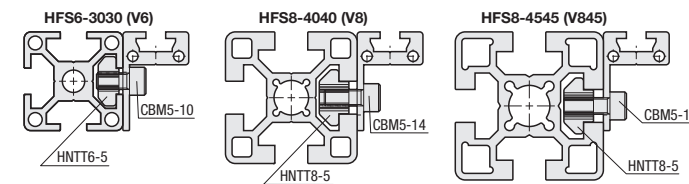
When L<300mm
Unit prices are indicated in the table regardless of the length.
When L≥300mm
Prices are calculated as follows:
Unit Price/m x Specified O.A.L. = Sales Price

Alterations Specified hole machining is available.

The hole intervals are specified in XA, XB, XC, XD, XE order from the left end.
HFSFIL5 - 3020 - 150 - V6 - V8 - XA20 - XB45

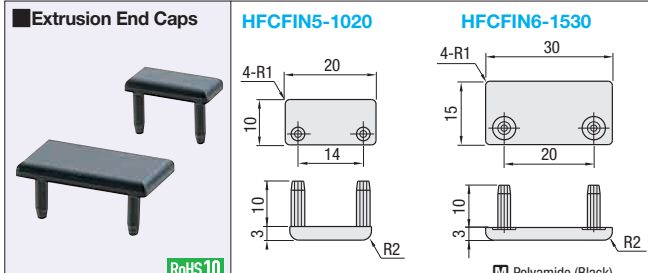
Alterations	Through Hole Position	Unit Price			
			V Groove Selection	XA	XB
Code	V Groove Selection	1 Through Hole			
Spec.	Applicable V Groove				
Hole Position *Hole diameter will be Ø5.5 only.	V6 V8 V845	7~(L-7)			

The V selection determines the hole centerline distances to make both extrusions even flat for each extrusion size.



Extrusion End Caps

HFCFIN5-1020 **HFCFIN6-1530**



Material: Polyamide (Black)

The pin's shape and numbers of extrusion end caps may be changed to prevent caps from easily falling off.

Part Number Type	Extrusion	Color	Unit Price 1 ~ 8 pc(s).	Volume Discount Rate 9-200	Applicable Extrusion
HFCFIN6	1530	B (Black)			HFSFIN6-1530 HFSFIN6-1554 HFSFIN6-1584 HFSFIN6-15114

Ordering Example: Part Number - Color
HFCFIN5-1020 - B