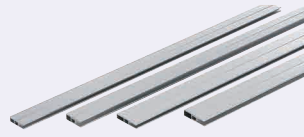



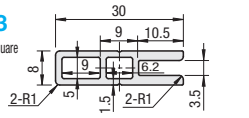
Fence Extrusions / Joint Brackets

C Extrusions

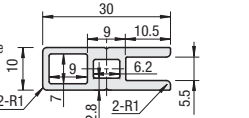


(See below for detailed dimensions.) $L \pm 0.5$  Cut surfaces are not anodized.

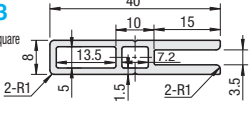
HFSFES30-3
3mm Thick One-Sided for 30 Square



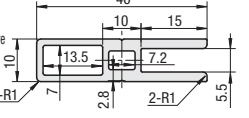
HFSFES30-5
5mm Thick One-Sided for 30 Square



HFSFES40-3
3mm Thick One-Sided for 40 Square



HFSFES40-5
5mm Thick One-Sided for 40 Square





M Material: EN AW-6063-T5 Equiv. **S** Surface Treatment: Anodize

RoHS10

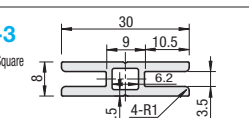
Part Number Type	No.	1mm Increment	Mass kg/m	Sectional Area mm ²	Cross Sectional Moment of Inertia mm ⁴		Unit Price (Less than 300mm)	Unit Price/m (300mm or More)
					I_x	I_y		
HFSFES	30-3	50~4000	0.34	125	1074	9933		
	30-5		0.41	150	2035	10690		
	40-3		0.42	153	1430	22510		
	40-5		0.48	176	2656	23830		

H Extrusions

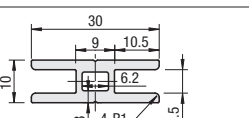


(See below for detailed dimensions.) $L \pm 0.5$  Cut surfaces are not anodized.

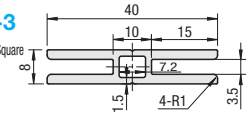
HFSFEW30-3
3mm Thick Both-Sided for 30 Square



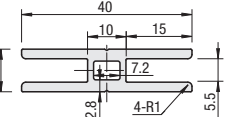
HFSFEW30-5
5mm Thick Both-Sided for 30 Square



HFSFEW40-3
3mm Thick Both-Sided for 40 Square



HFSFEW40-5
5mm Thick Both-Sided for 40 Square



M Material: EN AW-6063-T5 Equiv. **S** Surface Treatment: Anodize


RoHS10


Part Number Type	No.	1mm Increment	Mass kg/m	Sectional Area mm ²	Cross Sectional Moment of Inertia mm ⁴		Unit Price (Less than 300mm)	Unit Price/m (300mm or More)
					I_x	I_y		
HFSFEW	30-3	50~4000	0.395	145	1132	10040		
	30-5		0.476	175	2148	10160		
	40-3		0.51	188	1524	23770		
	40-5		0.64	235	2844	23890		

Ordering Example: Part Number - L
HFSFES30-3 - 1200

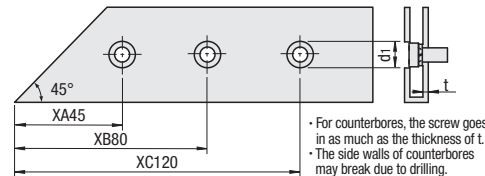
Alterations Specified hole machining is available.

Alterations Code	Counterboring				Through Hole					Unit Price		
	Z Selection			XA XB XC XD XE	D Selection	XA XB XC XD XE	One Counterbore Hole	1 Through Hole				
Spec.	Z	d	d ₁	Distance from the Left End mm					ØD	Distance from the Left End mm		
Specifications of Hole Size and Position	5	5.5	9.5	7~(L-7)					3.5	7~(L-7)		
	6	6.5	11						4.5			
									5.5			
									6.5			

Specified Hole Machining
 (1) Select hole type and size Z (for Counterbore) or D (for Through hole).
 (2) Specify the distance from the left end to holes XA, XB, XC, XD and XE in order.
 (3) Specify up to 5 counterbores or through holes.  Combination of counterbore and through hole is not available.

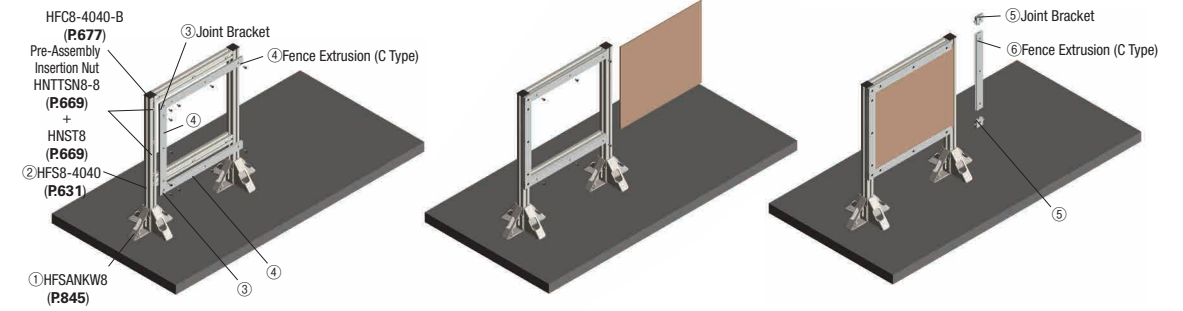
Alteration Code	45° Cut  Applicable to HFSFES only.	
	Left	Right
Spec.	LCT45	RCT45

Ordering Example: Part Number - L - Alterations
HFSFES30-3 - 150 - LCT45 - Z5 - XA45 - XB80 - XC120



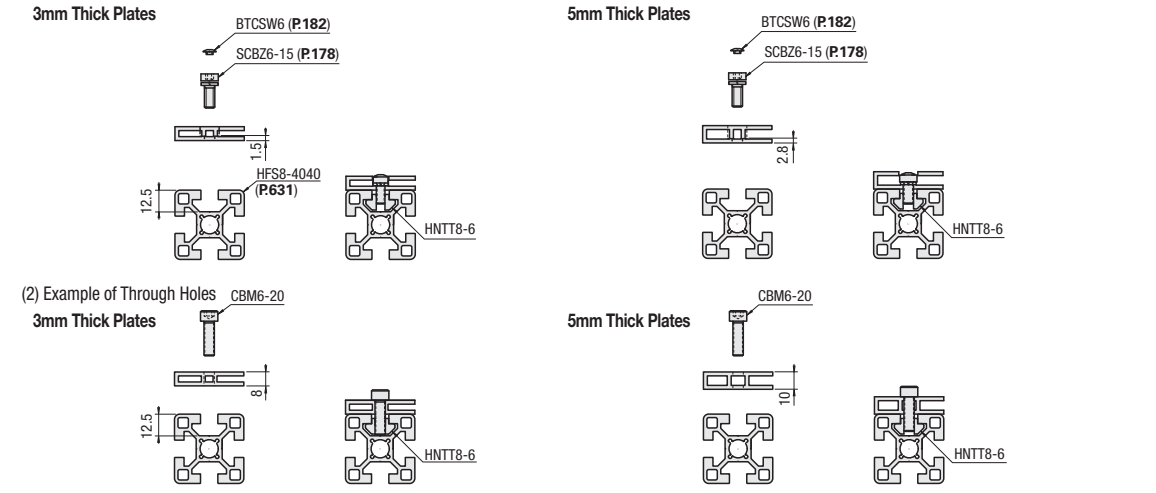
Panel Mounting

- Assembling Panel Extrusions
- Inserting Panel Panels are installed by sliding into the extrusion slots.
- Fixing Panel Panels are mounted onto the Fence Extrusions (C Type) with Joint Brackets. (Install additional aluminum extrusions with anchors.)



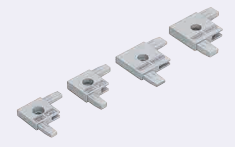
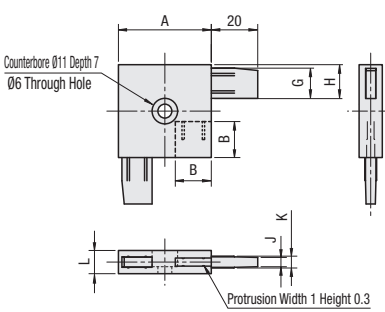
Connecting Fence Extrusions to Aluminum Extrusions

Fence extrusions need to be drilled before connecting to aluminum extrusion.
 (1) Example of Counterbore Holes (Even if the cover caps for screws BTCSW are not used, there is no problem.)



Joint Brackets

HFSJD

Counterbore Ø11 Depth 7
Ø6 Through Hole
Protrusion Width 1 Height 0.3

M Material: Polyamide

Part Number Type	No.	A	B	G	H	J	K	L	Unit Price
		HFSJD	30-3	30	10.5	7.5	8.5	4	4.5
30-5	30		10.5	7.5	8.5	5.5	6.5	10	
40-3	40		15.5	12	13	4	4.5	8	
40-5	40		15.5	12	13	5.5	6.5	10	

Ordering Example: Part Number
HFSJD30-3