

# Leveling Mounts

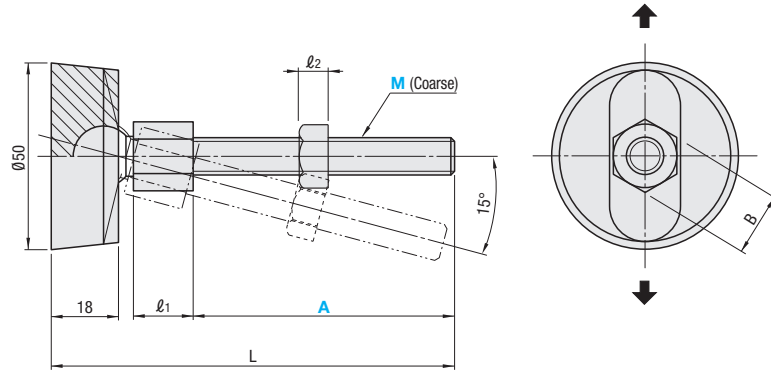
## Pivot Type

■ Pivot Type



RoHS 10

FJLM



Pad Bottom



⚠ To use the proper load, direct them to the direction when the thread needs to be inclined.

	M Material	S Surface Treatment
Thread	EN 1.0038 Equiv.	Trivalent Chromate
Pad	Nylon 6	-

Part Number		L	l <sub>1</sub>	l <sub>2</sub>	B	Allowable Vertical Load (kN)	Mass (g)	Unit Price
Type	M-A							
FJLM	10-70	100	8	8	17	0.14	21	
	10-100	130					23	
	12-60	92	10	10	19	0.14	39	
	12-70	102					41	
	12-100	132					44	
	16-80	115	13	13	24	0.32	63	
	16-100	135					67	
	16-130	165					75	



Ordering Example

Part Number

FJLM10-100