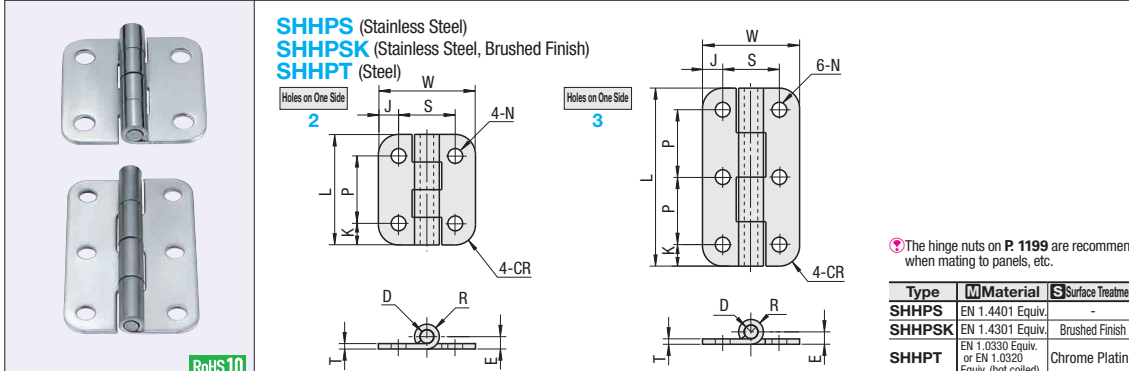


Stainless Steel Hinges / Steel Hinges

Hinges / Hinge Nuts



SHHPS (Stainless Steel)
SHHPSK (Stainless Steel, Brushed Finish)
SHHPT (Steel)

Holes on One Side: 2, 3

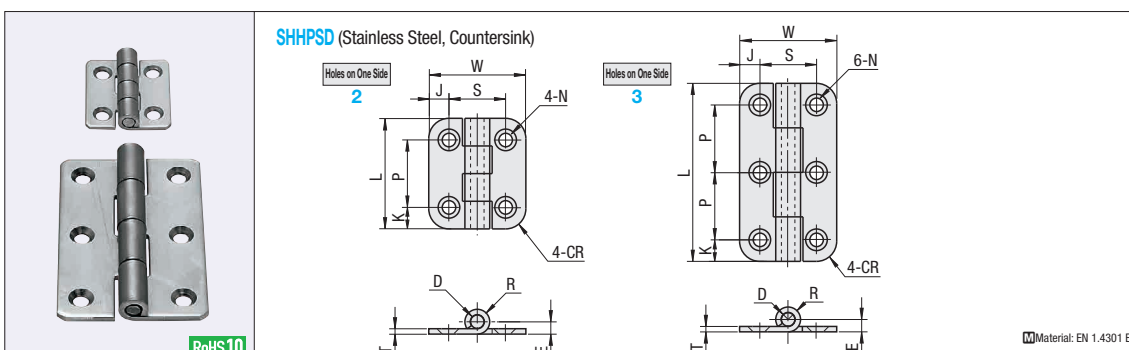
The hinge nuts on **P 1199** are recommended when mating to panels, etc.

Type	Material	Surface Treatment
SHHPS	EN 1.4401 Equiv.	-
SHHPSK	EN 1.4301 Equiv.	Brushed Finish
SHHPT	EN 1.0330 Equiv. or EN 1.0320 Equiv. (hot rolled)	Chrome Plating

Part Number	Holes on One Side	* Allowable Load		Mass g	L	W	K	P	J	S	N	T	E	R	CR	D	SHHPS		SHHPSK		
		kg	N														Unit Price	Volume Discount Rate	Unit Price	Volume Discount Rate	
SHHPS SHHPSK	5	2	9	88	43	41	36	8	25	7.5	21	5.5	2	4.6	4.6	7.5	5	1-8 pc(s)	9-100	1-8 pc(s)	9-100
		3	11	108	70	66												58.8	12		
		2	12	117	60	48												68.6	16		
	6	2	15	147	98	78	48	9	30	8	32	6.5	3	5.6	5.6	10	6	1-8 pc(s)	9-100	1-8 pc(s)	9-100
		3	15	147	98	78												127.4	25		
		2	25	245	130	59												147	46		
	8	2	38	372	230	96	62	11	37	10	42	6.5	3	5.6	5.6	10	6	1-8 pc(s)	9-100	1-8 pc(s)	9-100
		3	38	372	230	96												245	68		
		2	30	294	190	70												294	100		
	845	2	40	392	325	113	80	13.5	43	16.5	47	6.5	3	6.1	6.1	6	5	1-8 pc(s)	9-100	1-8 pc(s)	9-100
		3	40	392	325	113												294	100		
		2	30	294	190	70												294	100		

* The allowable load is the value when 2 pieces are used.

Part Number	Holes on One Side	* Allowable Load		Mass g	L	W	K	P	J	S	N	T	E	R	CR	D	SHHPT		
		kg	N														Unit Price	Volume Discount Rate	
SHHPT	5	2	9	88	36	41	36	8	25	7.5	21	5.5	2	4.6	4.6	4	5	1-8 pc(s)	9-100
		3	11	108	59	66												58.8	12
		2	12	117	50	48												68.6	16
	6	2	15	147	83	78	48	9	30	8	32	6.5	3	5.6	5.6	5	6	1-8 pc(s)	9-100
		3	15	147	83	78												127.4	25
		2	25	245	124	59												147	46
	8	2	38	372	207	96	62	11	37	10	42	6.5	3	5.6	5.6	5	6	1-8 pc(s)	9-100
		3	38	372	207	96												245	68
		2	30	294	181	70												294	100
	845	2	40	392	298	113	80	13.5	43	16.5	47	6.5	3	6.1	6.1	6	5	1-8 pc(s)	9-100
		3	40	392	298	113												294	100
		2	30	294	181	70												294	100



SHHPSD (Stainless Steel, Countersink)

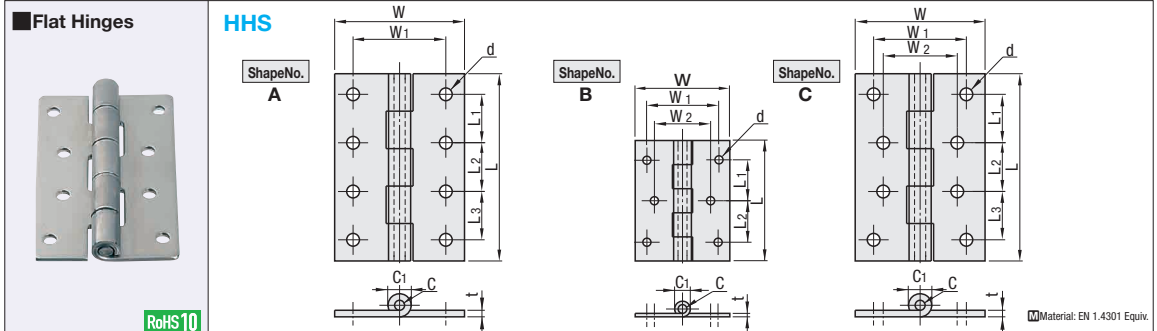
Holes on One Side: 2, 3

Material: EN 1.4301 Equiv.

Part Number	Holes on One Side	* Allowable Load		Mass g	L	W	K	P	J	S	N	T	E	R	CR	D	SHHPSD			
		kg	N														Unit Price	Volume Discount Rate		
SHHPSD	5	2	9	88	34	41	36	8	25	7.5	21	5.5	8.6	2	4.6	4.6	4	5	1-8 pc(s)	9-100
		3	11	108	56	66													58.8	12
		2	12	117	49	48													68.6	16
	6	2	15	147	80	78	48	9	30	8	32	6.5	10.6	3	6.1	6.1	5	6	1-8 pc(s)	9-100
		3	15	147	80	78													127.4	25
		2	25	245	111	59													147	46
	8	2	38	372	185	96	62	11	37	10	42	6.5	3	5.6	5.6	5	6	1-8 pc(s)	9-100	
		3	38	372	185	96												245	68	
		2	30	294	162	70												294	100	
	845	2	40	392	266	113	80	13.5	43	16.5	47	6.5	3	6.1	6.1	6	5	1-8 pc(s)	9-100	
		3	40	392	266	113												294	100	
		2	30	294	162	70												294	100	

* The allowable load is the value when 2 pieces are used.

Ordering Example	Part Number	Holes on One Side
	SHHPS6	2
	SHHPSK6	3



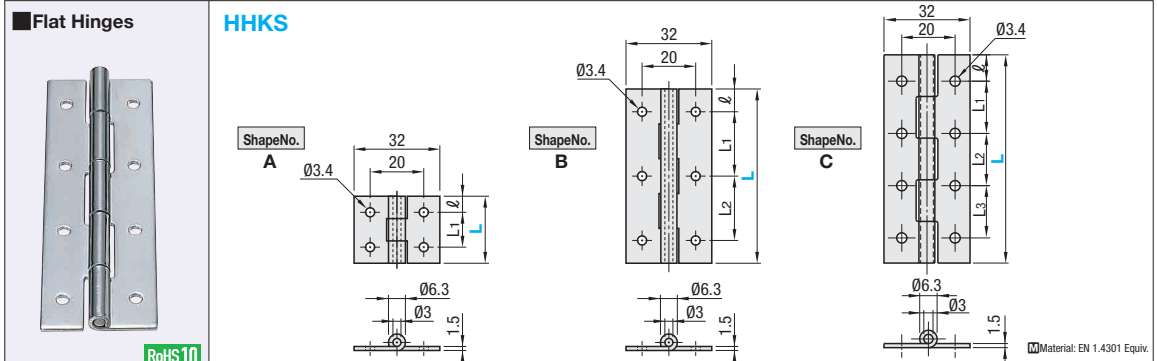
Flat Hinges HHS

ShapeNo. A, B, C

Material: EN 1.4301 Equiv.

Part Number	Type	No.	L	Shape No.	W	W1	W2	L1	L2	L3	C	C1	t	d	Division	* Allowable Load (N)	Weight (g)	Unit Price												
																		1-19 pc(s)	20-99	100										
HHS	A	25	25	20	12	-	-	16	-	-	2	3.8	0.8	3.4	3	9.8	6	1-19 pc(s)	20-99	100										
		30	22					58.8													12									
		40	22					68.6													16									
		50	22					68.6													16									
		65A	30					23													23	4.5	5	127.4	25					
		75A	30					22													22									
	B	65	65	50	30	22	22	-	-	-	-	4	8.5	2	5.5	5	147	46	1-19 pc(s)	20-99	100									
		75	75																			30	26	26	6	12.7	3	6.6	245	68
		90A	38																			-	35	35						
		90	90																			46	36	34	6	12.7	3	6.6	294	100
		100A	48																			-	26	26						
		100	100																			46	36	26	6	12.7	3	6.6	294	100

* The allowable load is the value when 2 pieces are used.



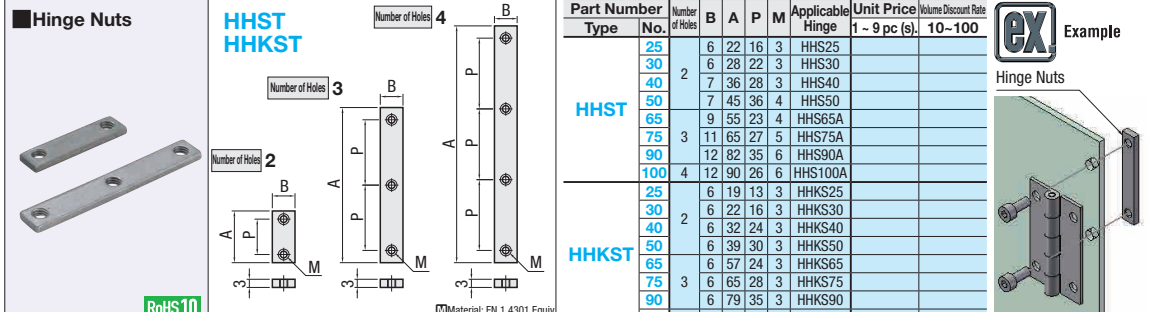
Flat Hinges HHKS

ShapeNo. A, B, C

Material: EN 1.4301 Equiv.

Part Number	Type	L	Shape No.	l	L1	L2	L3	Division	* Allowable Load (N)	Weight (g)	Unit Price			
											1-19 pc(s)	20-99	100	
HHKS	A	25	6	13	-	-	-	3	29.4	13	1-19 pc(s)	20-99	100	
		30		7	16	-	-		39.2	16				
		40		8	24	-	-		58.8	21				
		50		10	30	-	-		68.6	26				
		65		8.5	24	24	-		98.0	34				
		75		9.5	28	28	-		107.8	39				
	B	90	10	35	35	-	127.4	47	5	147.0	52	1-19 pc(s)	20-99	100
		90	10	35	35	-	127.4	47						
		100	11	26	26	26	147.0	52						

* The allowable load is the value when 2 pieces are used.



Hinge Nuts HHST, HHKST

Number of Holes: 2, 3, 4

Material: EN 1.4301 Equiv.

Ordering Example	Part Number
	HHST100
	HHKS100
	HHST30
	HHKST75

