
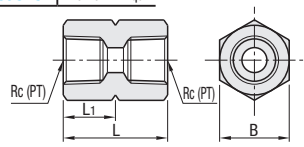

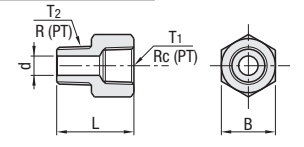

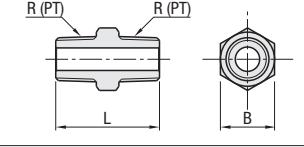

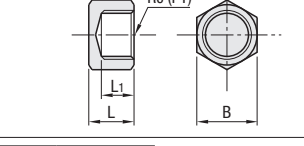

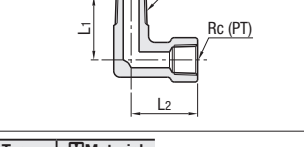

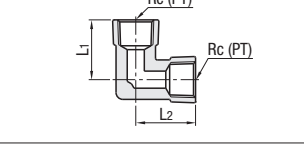

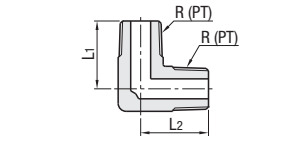

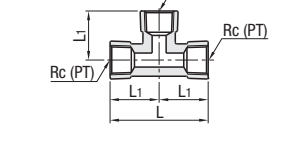

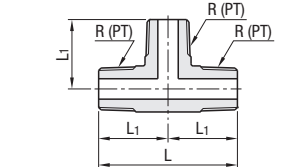

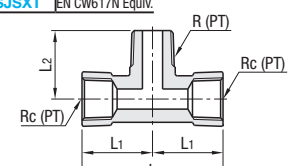

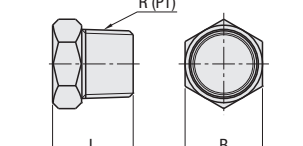

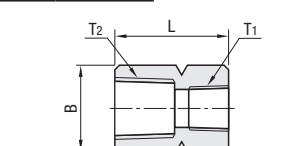

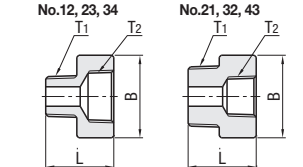

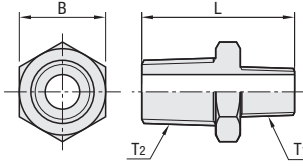

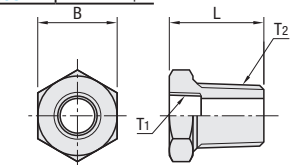


# Screw Fittings

## Brass

<b>Sockets</b>  <span>RoHS10</span>	<table border="1"> <tr> <th>Type</th> <th>Material</th> </tr> <tr> <td>SJSFS</td> <td>EN CW614N Equiv.</td> </tr> </table>	Type	Material	SJSFS	EN CW614N Equiv.																																								
	Type	Material																																											
SJSFS	EN CW614N Equiv.																																												
<table border="1"> <thead> <tr> <th>Part Number</th> <th>Rc (PT)</th> <th>L</th> <th>L1</th> <th>B</th> <th>Unit Price</th> <th>Volume Discount Rate</th> </tr> <tr> <th>Type</th> <th>No.</th> <th></th> <th></th> <th></th> <th>1 - 9 pc(s).</th> <th>10-20 pcs.</th> </tr> </thead> <tbody> <tr> <td rowspan="4">SJSFS</td> <td>6A</td> <td>1/8</td> <td>21</td> <td>10.5</td> <td>14</td> <td></td> </tr> <tr> <td>8A</td> <td>1/4</td> <td>28</td> <td>14</td> <td>17</td> <td></td> </tr> <tr> <td>10A</td> <td>3/8</td> <td>32</td> <td>16</td> <td>21</td> <td></td> </tr> <tr> <td>15A</td> <td>1/2</td> <td>40</td> <td>20</td> <td>26</td> <td></td> </tr> </tbody> </table> <p>For orders larger than indicated quantity, please check with WOS.</p>	Part Number	Rc (PT)	L	L1	B	Unit Price	Volume Discount Rate	Type	No.				1 - 9 pc(s).	10-20 pcs.	SJSFS	6A	1/8	21	10.5	14		8A	1/4	28	14	17		10A	3/8	32	16	21		15A	1/2	40	20	26							
Part Number	Rc (PT)	L	L1	B	Unit Price	Volume Discount Rate																																							
Type	No.				1 - 9 pc(s).	10-20 pcs.																																							
SJSFS	6A	1/8	21	10.5	14																																								
	8A	1/4	28	14	17																																								
	10A	3/8	32	16	21																																								
	15A	1/2	40	20	26																																								
<b>Female/Male Sockets</b>  <span>RoHS10</span>	<table border="1"> <tr> <th>Type</th> <th>Material</th> </tr> <tr> <td>SJSXS</td> <td>EN CW614N Equiv.</td> </tr> </table>	Type	Material	SJSXS	EN CW614N Equiv.																																								
	Type	Material																																											
SJSXS	EN CW614N Equiv.																																												
<table border="1"> <thead> <tr> <th>Part Number</th> <th>Rc (PT)</th> <th>R (PT)</th> <th>L</th> <th>d</th> <th>B</th> <th>Unit Price</th> <th>Volume Discount Rate</th> </tr> <tr> <th>Type</th> <th>No.</th> <th>T1</th> <th>T2</th> <th></th> <th></th> <th>1 - 9 pc(s).</th> <th>10-20 pcs.</th> </tr> </thead> <tbody> <tr> <td rowspan="4">SJSXS</td> <td>6A</td> <td>1/8</td> <td>1/8</td> <td>20</td> <td>5</td> <td>14</td> <td></td> </tr> <tr> <td>8A</td> <td>1/4</td> <td>1/4</td> <td>24</td> <td>8</td> <td>17</td> <td></td> </tr> <tr> <td>10A</td> <td>3/8</td> <td>3/8</td> <td>28</td> <td>11</td> <td>21</td> <td></td> </tr> <tr> <td>15A</td> <td>1/2</td> <td>1/2</td> <td>33</td> <td>15</td> <td>26</td> <td></td> </tr> </tbody> </table> <p>For orders larger than indicated quantity, please check with WOS.</p>	Part Number	Rc (PT)	R (PT)	L	d	B	Unit Price	Volume Discount Rate	Type	No.	T1	T2			1 - 9 pc(s).	10-20 pcs.	SJSXS	6A	1/8	1/8	20	5	14		8A	1/4	1/4	24	8	17		10A	3/8	3/8	28	11	21		15A	1/2	1/2	33	15	26	
Part Number	Rc (PT)	R (PT)	L	d	B	Unit Price	Volume Discount Rate																																						
Type	No.	T1	T2			1 - 9 pc(s).	10-20 pcs.																																						
SJSXS	6A	1/8	1/8	20	5	14																																							
	8A	1/4	1/4	24	8	17																																							
	10A	3/8	3/8	28	11	21																																							
	15A	1/2	1/2	33	15	26																																							
<b>Nipples</b>  <span>RoHS10</span>	<table border="1"> <tr> <th>Type</th> <th>Material</th> </tr> <tr> <td>SJSRN</td> <td>EN CW614N Equiv.</td> </tr> </table>	Type	Material	SJSRN	EN CW614N Equiv.																																								
	Type	Material																																											
SJSRN	EN CW614N Equiv.																																												
<table border="1"> <thead> <tr> <th>Part Number</th> <th>R (PT)</th> <th>L</th> <th>B</th> <th>Unit Price</th> <th>Volume Discount Rate</th> </tr> <tr> <th>Type</th> <th>No.</th> <th></th> <th></th> <th>1 - 9 pc(s).</th> <th>10-20 pcs.</th> </tr> </thead> <tbody> <tr> <td rowspan="4">SJSRN</td> <td>6A</td> <td>1/8</td> <td>22</td> <td>12</td> <td></td> </tr> <tr> <td>8A</td> <td>1/4</td> <td>28</td> <td>14</td> <td></td> </tr> <tr> <td>10A</td> <td>3/8</td> <td>33</td> <td>17</td> <td></td> </tr> <tr> <td>15A</td> <td>1/2</td> <td>38</td> <td>22</td> <td></td> </tr> </tbody> </table> <p>For orders larger than indicated quantity, please check with WOS.</p>	Part Number	R (PT)	L	B	Unit Price	Volume Discount Rate	Type	No.			1 - 9 pc(s).	10-20 pcs.	SJSRN	6A	1/8	22	12		8A	1/4	28	14		10A	3/8	33	17		15A	1/2	38	22													
Part Number	R (PT)	L	B	Unit Price	Volume Discount Rate																																								
Type	No.			1 - 9 pc(s).	10-20 pcs.																																								
SJSRN	6A	1/8	22	12																																									
	8A	1/4	28	14																																									
	10A	3/8	33	17																																									
	15A	1/2	38	22																																									
<b>Caps</b>  <span>RoHS10</span>	<table border="1"> <tr> <th>Type</th> <th>Material</th> </tr> <tr> <td>SJSCP</td> <td>EN CW614N Equiv.</td> </tr> </table>	Type	Material	SJSCP	EN CW614N Equiv.																																								
	Type	Material																																											
SJSCP	EN CW614N Equiv.																																												
<table border="1"> <thead> <tr> <th>Part Number</th> <th>Rc (PT)</th> <th>L</th> <th>L1</th> <th>B</th> <th>Unit Price</th> <th>Volume Discount Rate</th> </tr> <tr> <th>Type</th> <th>No.</th> <th></th> <th></th> <th></th> <th>1 - 9 pc(s).</th> <th>10-20 pcs.</th> </tr> </thead> <tbody> <tr> <td rowspan="4">SJSCP</td> <td>6A</td> <td>1/8</td> <td>9</td> <td>7</td> <td>12</td> <td></td> </tr> <tr> <td>8A</td> <td>1/4</td> <td>11</td> <td>9</td> <td>16</td> <td></td> </tr> <tr> <td>10A</td> <td>3/8</td> <td>14</td> <td>12</td> <td>19</td> <td></td> </tr> <tr> <td>15A</td> <td>1/2</td> <td>15</td> <td>13</td> <td>24</td> <td></td> </tr> </tbody> </table> <p>For orders larger than indicated quantity, please check with WOS.</p>	Part Number	Rc (PT)	L	L1	B	Unit Price	Volume Discount Rate	Type	No.				1 - 9 pc(s).	10-20 pcs.	SJSCP	6A	1/8	9	7	12		8A	1/4	11	9	16		10A	3/8	14	12	19		15A	1/2	15	13	24							
Part Number	Rc (PT)	L	L1	B	Unit Price	Volume Discount Rate																																							
Type	No.				1 - 9 pc(s).	10-20 pcs.																																							
SJSCP	6A	1/8	9	7	12																																								
	8A	1/4	11	9	16																																								
	10A	3/8	14	12	19																																								
	15A	1/2	15	13	24																																								
<b>Female/Male Elbows</b>  <span>RoHS10</span>	<table border="1"> <tr> <th>Type</th> <th>Material</th> </tr> <tr> <td>SJSXL</td> <td>EN CW617N Equiv.</td> </tr> </table>	Type	Material	SJSXL	EN CW617N Equiv.																																								
	Type	Material																																											
SJSXL	EN CW617N Equiv.																																												
<table border="1"> <thead> <tr> <th>Part Number</th> <th>R, Rc (PT)</th> <th>L1</th> <th>L2</th> <th>Unit Price</th> <th>Volume Discount Rate</th> </tr> <tr> <th>Type</th> <th>No.</th> <th></th> <th></th> <th>1 - 9 pc(s).</th> <th>10-20 pcs.</th> </tr> </thead> <tbody> <tr> <td rowspan="4">SJSXL</td> <td>6A</td> <td>1/8</td> <td>19</td> <td>22</td> <td></td> </tr> <tr> <td>8A</td> <td>1/4</td> <td>24</td> <td>25</td> <td></td> </tr> <tr> <td>10A</td> <td>3/8</td> <td>28</td> <td>29</td> <td></td> </tr> <tr> <td>15A</td> <td>1/2</td> <td>32</td> <td>34</td> <td></td> </tr> </tbody> </table> <p>For orders larger than indicated quantity, please check with WOS.</p>	Part Number	R, Rc (PT)	L1	L2	Unit Price	Volume Discount Rate	Type	No.			1 - 9 pc(s).	10-20 pcs.	SJSXL	6A	1/8	19	22		8A	1/4	24	25		10A	3/8	28	29		15A	1/2	32	34													
Part Number	R, Rc (PT)	L1	L2	Unit Price	Volume Discount Rate																																								
Type	No.			1 - 9 pc(s).	10-20 pcs.																																								
SJSXL	6A	1/8	19	22																																									
	8A	1/4	24	25																																									
	10A	3/8	28	29																																									
	15A	1/2	32	34																																									
<b>Elbows</b>  <span>RoHS10</span>	<table border="1"> <tr> <th>Type</th> <th>Material</th> </tr> <tr> <td>SJSFL</td> <td>EN CW617N Equiv.</td> </tr> </table>	Type	Material	SJSFL	EN CW617N Equiv.																																								
	Type	Material																																											
SJSFL	EN CW617N Equiv.																																												
<table border="1"> <thead> <tr> <th>Part Number</th> <th>Rc (PT)</th> <th>L1</th> <th>L2</th> <th>Unit Price</th> <th>Volume Discount Rate</th> </tr> <tr> <th>Type</th> <th>No.</th> <th></th> <th></th> <th>1 - 9 pc(s).</th> <th>10-20 pcs.</th> </tr> </thead> <tbody> <tr> <td rowspan="4">SJSFL</td> <td>6A</td> <td>1/8</td> <td>22</td> <td>22</td> <td></td> </tr> <tr> <td>8A</td> <td>1/4</td> <td>25</td> <td>25</td> <td></td> </tr> <tr> <td>10A</td> <td>3/8</td> <td>29</td> <td>29</td> <td></td> </tr> <tr> <td>15A</td> <td>1/2</td> <td>34</td> <td>34</td> <td></td> </tr> </tbody> </table> <p>For orders larger than indicated quantity, please check with WOS.</p>	Part Number	Rc (PT)	L1	L2	Unit Price	Volume Discount Rate	Type	No.			1 - 9 pc(s).	10-20 pcs.	SJSFL	6A	1/8	22	22		8A	1/4	25	25		10A	3/8	29	29		15A	1/2	34	34													
Part Number	Rc (PT)	L1	L2	Unit Price	Volume Discount Rate																																								
Type	No.			1 - 9 pc(s).	10-20 pcs.																																								
SJSFL	6A	1/8	22	22																																									
	8A	1/4	25	25																																									
	10A	3/8	29	29																																									
	15A	1/2	34	34																																									
<b>Male Elbows</b>  <span>RoHS10</span>	<table border="1"> <tr> <th>Type</th> <th>Material</th> </tr> <tr> <td>SJSML</td> <td>EN CW617N Equiv.</td> </tr> </table>	Type	Material	SJSML	EN CW617N Equiv.																																								
	Type	Material																																											
SJSML	EN CW617N Equiv.																																												
<table border="1"> <thead> <tr> <th>Part Number</th> <th>R (PT)</th> <th>L1</th> <th>L2</th> <th>Unit Price</th> <th>Volume Discount Rate</th> </tr> <tr> <th>Type</th> <th>No.</th> <th></th> <th></th> <th>1 - 9 pc(s).</th> <th>10-20 pcs.</th> </tr> </thead> <tbody> <tr> <td rowspan="4">SJSML</td> <td>6A</td> <td>1/8</td> <td>17</td> <td>17</td> <td></td> </tr> <tr> <td>8A</td> <td>1/4</td> <td>22</td> <td>22</td> <td></td> </tr> <tr> <td>10A</td> <td>3/8</td> <td>25</td> <td>25</td> <td></td> </tr> <tr> <td>15A</td> <td>1/2</td> <td>29</td> <td>29</td> <td></td> </tr> </tbody> </table> <p>For orders larger than indicated quantity, please check with WOS.</p>	Part Number	R (PT)	L1	L2	Unit Price	Volume Discount Rate	Type	No.			1 - 9 pc(s).	10-20 pcs.	SJSML	6A	1/8	17	17		8A	1/4	22	22		10A	3/8	25	25		15A	1/2	29	29													
Part Number	R (PT)	L1	L2	Unit Price	Volume Discount Rate																																								
Type	No.			1 - 9 pc(s).	10-20 pcs.																																								
SJSML	6A	1/8	17	17																																									
	8A	1/4	22	22																																									
	10A	3/8	25	25																																									
	15A	1/2	29	29																																									
<b>Tees</b>  <span>RoHS10</span>	<table border="1"> <tr> <th>Type</th> <th>Material</th> </tr> <tr> <td>SJSFT</td> <td>EN CW617N Equiv.</td> </tr> </table>	Type	Material	SJSFT	EN CW617N Equiv.																																								
	Type	Material																																											
SJSFT	EN CW617N Equiv.																																												
<table border="1"> <thead> <tr> <th>Part Number</th> <th>Rc (PT)</th> <th>L</th> <th>L1</th> <th>Unit Price</th> <th>Volume Discount Rate</th> </tr> <tr> <th>Type</th> <th>No.</th> <th></th> <th></th> <th>1 - 9 pc(s).</th> <th>10-20 pcs.</th> </tr> </thead> <tbody> <tr> <td rowspan="4">SJSFT</td> <td>6A</td> <td>1/8</td> <td>44</td> <td>22</td> <td></td> </tr> <tr> <td>8A</td> <td>1/4</td> <td>50</td> <td>25</td> <td></td> </tr> <tr> <td>10A</td> <td>3/8</td> <td>58</td> <td>29</td> <td></td> </tr> <tr> <td>15A</td> <td>1/2</td> <td>68</td> <td>34</td> <td></td> </tr> </tbody> </table> <p>For orders larger than indicated quantity, please check with WOS.</p>	Part Number	Rc (PT)	L	L1	Unit Price	Volume Discount Rate	Type	No.			1 - 9 pc(s).	10-20 pcs.	SJSFT	6A	1/8	44	22		8A	1/4	50	25		10A	3/8	58	29		15A	1/2	68	34													
Part Number	Rc (PT)	L	L1	Unit Price	Volume Discount Rate																																								
Type	No.			1 - 9 pc(s).	10-20 pcs.																																								
SJSFT	6A	1/8	44	22																																									
	8A	1/4	50	25																																									
	10A	3/8	58	29																																									
	15A	1/2	68	34																																									

<b>Male Tees</b>  <span>RoHS10</span>	<table border="1"> <tr> <th>Type</th> <th>Material</th> </tr> <tr> <td>SJSMT</td> <td>EN CW617N Equiv.</td> </tr> </table>	Type	Material	SJSMT	EN CW617N Equiv.																																													
	Type	Material																																																
SJSMT	EN CW617N Equiv.																																																	
<table border="1"> <thead> <tr> <th>Part Number</th> <th>R (PT)</th> <th>L</th> <th>L1</th> <th>Unit Price</th> <th>Volume Discount Rate</th> </tr> <tr> <th>Type</th> <th>No.</th> <th></th> <th></th> <th>1 - 9 pc(s).</th> <th>10-20 pcs.</th> </tr> </thead> <tbody> <tr> <td rowspan="4">SJSMT</td> <td>6A</td> <td>1/8</td> <td>34</td> <td>17</td> <td></td> </tr> <tr> <td>8A</td> <td>1/4</td> <td>44</td> <td>22</td> <td></td> </tr> <tr> <td>10A</td> <td>3/8</td> <td>50</td> <td>25</td> <td></td> </tr> <tr> <td>15A</td> <td>1/2</td> <td>58</td> <td>29</td> <td></td> </tr> </tbody> </table> <p>For orders larger than indicated quantity, please check with WOS.</p>	Part Number	R (PT)	L	L1	Unit Price	Volume Discount Rate	Type	No.			1 - 9 pc(s).	10-20 pcs.	SJSMT	6A	1/8	34	17		8A	1/4	44	22		10A	3/8	50	25		15A	1/2	58	29																		
Part Number	R (PT)	L	L1	Unit Price	Volume Discount Rate																																													
Type	No.			1 - 9 pc(s).	10-20 pcs.																																													
SJSMT	6A	1/8	34	17																																														
	8A	1/4	44	22																																														
	10A	3/8	50	25																																														
	15A	1/2	58	29																																														
<b>Female/Male Tees</b>  <span>RoHS10</span>	<table border="1"> <tr> <th>Type</th> <th>Material</th> </tr> <tr> <td>SJSXT</td> <td>EN CW617N Equiv.</td> </tr> </table>	Type	Material	SJSXT	EN CW617N Equiv.																																													
	Type	Material																																																
SJSXT	EN CW617N Equiv.																																																	
<table border="1"> <thead> <tr> <th>Part Number</th> <th>R Rc (PT)</th> <th>L</th> <th>L1</th> <th>L2</th> <th>Unit Price</th> <th>Volume Discount Rate</th> </tr> <tr> <th>Type</th> <th>No.</th> <th></th> <th></th> <th></th> <th>1 - 9 pc(s).</th> <th>10-20 pcs.</th> </tr> </thead> <tbody> <tr> <td rowspan="4">SJSXT</td> <td>6A</td> <td>1/8</td> <td>44</td> <td>22</td> <td>19</td> <td></td> </tr> <tr> <td>8A</td> <td>1/4</td> <td>50</td> <td>25</td> <td>24</td> <td></td> </tr> <tr> <td>10A</td> <td>3/8</td> <td>58</td> <td>29</td> <td>28</td> <td></td> </tr> <tr> <td>15A</td> <td>1/2</td> <td>68</td> <td>34</td> <td>32</td> <td></td> </tr> </tbody> </table> <p>For orders larger than indicated quantity, please check with WOS.</p>	Part Number	R Rc (PT)	L	L1	L2	Unit Price	Volume Discount Rate	Type	No.				1 - 9 pc(s).	10-20 pcs.	SJSXT	6A	1/8	44	22	19		8A	1/4	50	25	24		10A	3/8	58	29	28		15A	1/2	68	34	32												
Part Number	R Rc (PT)	L	L1	L2	Unit Price	Volume Discount Rate																																												
Type	No.				1 - 9 pc(s).	10-20 pcs.																																												
SJSXT	6A	1/8	44	22	19																																													
	8A	1/4	50	25	24																																													
	10A	3/8	58	29	28																																													
	15A	1/2	68	34	32																																													
<b>Plugs</b>  <span>RoHS10</span>	<table border="1"> <tr> <th>Type</th> <th>Material</th> </tr> <tr> <td>SJSPG</td> <td>EN CW614N Equiv.</td> </tr> </table>	Type	Material	SJSPG	EN CW614N Equiv.																																													
	Type	Material																																																
SJSPG	EN CW614N Equiv.																																																	
<table border="1"> <thead> <tr> <th>Part Number</th> <th>R (PT)</th> <th>L</th> <th>B</th> <th>Unit Price</th> <th>Volume Discount Rate</th> </tr> <tr> <th>Type</th> <th>No.</th> <th></th> <th></th> <th>1 - 9 pc(s).</th> <th>10-20 pcs.</th> </tr> </thead> <tbody> <tr> <td rowspan="4">SJSPG</td> <td>6A</td> <td>1/8</td> <td>14</td> <td>12</td> <td></td> </tr> <tr> <td>8A</td> <td>1/4</td> <td>18</td> <td>16</td> <td></td> </tr> <tr> <td>10A</td> <td>3/8</td> <td>21</td> <td>19</td> <td></td> </tr> <tr> <td>15A</td> <td>1/2</td> <td>25</td> <td>21</td> <td></td> </tr> </tbody> </table> <p>For orders larger than indicated quantity, please check with WOS.</p>	Part Number	R (PT)	L	B	Unit Price	Volume Discount Rate	Type	No.			1 - 9 pc(s).	10-20 pcs.	SJSPG	6A	1/8	14	12		8A	1/4	18	16		10A	3/8	21	19		15A	1/2	25	21																		
Part Number	R (PT)	L	B	Unit Price	Volume Discount Rate																																													
Type	No.			1 - 9 pc(s).	10-20 pcs.																																													
SJSPG	6A	1/8	14	12																																														
	8A	1/4	18	16																																														
	10A	3/8	21	19																																														
	15A	1/2	25	21																																														
<b>Reducing Hex Sockets</b>  <span>RoHS10</span>	<table border="1"> <tr> <th>Type</th> <th>Material</th> </tr> <tr> <td>SJSFSD</td> <td>EN CW614N Equiv.</td> </tr> </table>	Type	Material	SJSFSD	EN CW614N Equiv.																																													
	Type	Material																																																
SJSFSD	EN CW614N Equiv.																																																	
<table border="1"> <thead> <tr> <th>Part Number</th> <th>Rc (PT)</th> <th>L</th> <th>B</th> <th>Unit Price</th> <th>Volume Discount Rate</th> </tr> <tr> <th>Type</th> <th>No.</th> <th></th> <th></th> <th>1 - 9 pc(s).</th> <th>10-20 pcs.</th> </tr> </thead> <tbody> <tr> <td rowspan="6">SJSFSD</td> <td>12</td> <td>1/8</td> <td>1/4</td> <td>26</td> <td>17</td> </tr> <tr> <td>13</td> <td>1/8</td> <td>3/8</td> <td>28</td> <td>21</td> </tr> <tr> <td>23</td> <td>1/4</td> <td>3/8</td> <td>30</td> <td>21</td> </tr> <tr> <td>24</td> <td>1/4</td> <td>1/2</td> <td>36</td> <td>26</td> </tr> <tr> <td>34</td> <td>3/8</td> <td>1/2</td> <td>38</td> <td>26</td> </tr> <tr> <td>36</td> <td>3/8</td> <td>3/4</td> <td>44</td> <td>32</td> </tr> <tr> <td>46</td> <td>1/2</td> <td>3/4</td> <td>46</td> <td>32</td> </tr> </tbody> </table> <p>For orders larger than indicated quantity, please check with WOS.</p>	Part Number	Rc (PT)	L	B	Unit Price	Volume Discount Rate	Type	No.			1 - 9 pc(s).	10-20 pcs.	SJSFSD	12	1/8	1/4	26	17	13	1/8	3/8	28	21	23	1/4	3/8	30	21	24	1/4	1/2	36	26	34	3/8	1/2	38	26	36	3/8	3/4	44	32	46	1/2	3/4	46	32		
Part Number	Rc (PT)	L	B	Unit Price	Volume Discount Rate																																													
Type	No.			1 - 9 pc(s).	10-20 pcs.																																													
SJSFSD	12	1/8	1/4	26	17																																													
	13	1/8	3/8	28	21																																													
	23	1/4	3/8	30	21																																													
	24	1/4	1/2	36	26																																													
	34	3/8	1/2	38	26																																													
	36	3/8	3/4	44	32																																													
46	1/2	3/4	46	32																																														
<b>Reducing Female/Male Sockets</b>  <span>RoHS10</span>	<table border="1"> <tr> <th>Type</th> <th>Material</th> </tr> <tr> <td>SJSXSD</td> <td>EN CW614N Equiv.</td> </tr> </table>	Type	Material	SJSXSD	EN CW614N Equiv.																																													
	Type	Material																																																
SJSXSD	EN CW614N Equiv.																																																	
<table border="1"> <thead> <tr> <th>Part Number</th> <th>R (PT)</th> <th>Rc (PT)</th> <th>L</th> <th>B</th> <th>Unit Price</th> <th>Volume Discount Rate</th> </tr> <tr> <th>Type</th> <th>No.</th> <th>T1</th> <th>T2</th> <th></th> <th>1 - 9 pc(s).</th> <th>10-20 pcs.</th> </tr> </thead> <tbody> <tr> <td rowspan="6">SJSXSD</td> <td>12</td> <td>1/8</td> <td>1/4</td> <td>22</td> <td>17</td> </tr> <tr> <td>21</td> <td>1/4</td> <td>1/8</td> <td>22</td> <td>14</td> </tr> <tr> <td>23</td> <td>1/4</td> <td>3/8</td> <td>26</td> <td>21</td> </tr> <tr> <td>32</td> <td>3/8</td> <td>1/4</td> <td>26</td> <td>17</td> </tr> <tr> <td>34</td> <td>3/8</td> <td>1/2</td> <td>31</td> <td>26</td> </tr> <tr> <td>43</td> <td>1/2</td> <td>3/8</td> <td>30</td> <td>22</td> </tr> </tbody> </table> <p>For orders larger than indicated quantity, please check with WOS.</p>	Part Number	R (PT)	Rc (PT)	L	B	Unit Price	Volume Discount Rate	Type	No.	T1	T2		1 - 9 pc(s).	10-20 pcs.	SJSXSD	12	1/8	1/4	22	17	21	1/4	1/8	22	14	23	1/4	3/8	26	21	32	3/8	1/4	26	17	34	3/8	1/2	31	26	43	1/2	3/8	30	22					
Part Number	R (PT)	Rc (PT)	L	B	Unit Price	Volume Discount Rate																																												
Type	No.	T1	T2		1 - 9 pc(s).	10-20 pcs.																																												
SJSXSD	12	1/8	1/4	22	17																																													
	21	1/4	1/8	22	14																																													
	23	1/4	3/8	26	21																																													
	32	3/8	1/4	26	17																																													
	34	3/8	1/2	31	26																																													
	43	1/2	3/8	30	22																																													
<b>Reducing Hex Nipples</b>  <span>RoHS10</span>	<table border="1"> <tr> <th>Type</th> <th>Material</th> </tr> <tr> <td>SJSRND</td> <td>EN CW614N Equiv.</td> </tr> </table>	Type	Material	SJSRND	EN CW614N Equiv.																																													
	Type	Material																																																
SJSRND	EN CW614N Equiv.																																																	
<table border="1"> <thead> <tr> <th>Part Number</th> <th>R (PT)</th> <th>L</th> <th>B</th> <th>Unit Price</th> <th>Volume Discount Rate</th> </tr> <tr> <th>Type</th> <th>No.</th> <th>T1</th> <th>T2</th> <th></th> <th>1 - 9 pc(s).</th> <th>10-20 pcs.</th> </tr> </thead> <tbody> <tr> <td rowspan="6">SJSRND</td> <td>12</td> <td>1/8</td> <td>1/4</td> <td>26</td> <td>14</td> </tr> <tr> <td>13</td> <td>1/8</td> <td>3/8</td> <td>29</td> <td>17</td> </tr> <tr> <td>23</td> <td>1/4</td> <td>3/8</td> <td>31</td> <td>17</td> </tr> <tr> <td>24</td> <td>1/4</td> <td>1/2</td> <td>34</td> <td>22</td> </tr> <tr> <td>34</td> <td>3/8</td> <td>1/2</td> <td>36</td> <td>22</td> </tr> <tr> <td>36</td> <td>3/8</td> <td>3/4</td> <td>41</td> <td>27</td> </tr> <tr> <td>46</td> <td>1/2</td> <td>3/4</td> <td>43</td> <td>27</td> </tr> </tbody> </table> <p>For orders larger than indicated quantity, please check with WOS.</p>	Part Number	R (PT)	L	B	Unit Price	Volume Discount Rate	Type	No.	T1	T2		1 - 9 pc(s).	10-20 pcs.	SJSRND	12	1/8	1/4	26	14	13	1/8	3/8	29	17	23	1/4	3/8	31	17	24	1/4	1/2	34	22	34	3/8	1/2	36	22	36	3/8	3/4	41	27	46	1/2	3/4	43	27	
Part Number	R (PT)	L	B	Unit Price	Volume Discount Rate																																													
Type	No.	T1	T2		1 - 9 pc(s).	10-20 pcs.																																												
SJSRND	12	1/8	1/4	26	14																																													
	13	1/8	3/8	29	17																																													
	23	1/4	3/8	31	17																																													
	24	1/4	1/2	34	22																																													
	34	3/8	1/2	36	22																																													
	36	3/8	3/4	41	27																																													
46	1/2	3/4	43	27																																														
<b>Bushings</b>  <span>RoHS10</span>	<table border="1"> <tr> <th>Type</th> <th>Material</th> </tr> <tr> <td>SJSBP</td> <td>EN CW614N Equiv.</td> </tr> </table>	Type	Material	SJSBP	EN CW614N Equiv.																																													
	Type	Material																																																
SJSBP	EN CW614N Equiv.																																																	
<table border="1"> <thead> <tr> <th>Part Number</th> <th>Rc (PT)</th> <th>R (PT)</th> <th>L</th> <th>B</th> <th>Unit Price</th> <th>Volume Discount Rate</th> </tr> <tr> <th>Type</th> <th>No.</th> <th>T1</th> <th>T2</th> <th></th> <th>1 - 9 pc(s).</th> <th>10-20 pcs.</th> </tr> </thead> <tbody> <tr> <td rowspan="6">SJSBP</td> <td>12</td> <td>1/8</td> <td>1/4</td> <td>16</td> <td>17</td> </tr> <tr> <td>13</td> <td>1/8</td> <td>3/8</td> <td>19</td> <td>19</td> </tr> <tr> <td>23</td> <td>1/4</td> <td>3/8</td> <td>19</td> <td>19</td> </tr> <tr> <td>24</td> <td>1/4</td> <td>1/2</td> <td>21</td> <td>24</td> </tr> <tr> <td>34</td> <td>3/8</td> <td>1/2</td> <td>21</td> <td>24</td> </tr> <tr> <td>36</td> <td>3/8</td> <td>3/4</td> <td>25</td> <td>30</td> </tr> <tr> <td>46</td> <td>1/2</td> <td>3/4</td> <td>25</td> <td>30</td> </tr> </tbody> </table> <p>For orders larger than indicated quantity, please check with WOS.</p>	Part Number	Rc (PT)	R (PT)	L	B	Unit Price	Volume Discount Rate	Type	No.	T1	T2		1 - 9 pc(s).	10-20 pcs.	SJSBP	12	1/8	1/4	16	17	13	1/8	3/8	19	19	23	1/4	3/8	19	19	24	1/4	1/2	21	24	34	3/8	1/2	21	24	36	3/8	3/4	25	30	46	1/2	3/4	25	30
Part Number	Rc (PT)	R (PT)	L	B	Unit Price	Volume Discount Rate																																												
Type	No.	T1	T2		1 - 9 pc(s).	10-20 pcs.																																												
SJSBP	12	1/8	1/4	16	17																																													
	13	1/8	3/8	19	19																																													
	23	1/4	3/8	19	19																																													
	24	1/4	1/2	21	24																																													
	34	3/8	1/2	21	24																																													
	36	3/8	3/4	25	30																																													
46	1/2	3/4	25	30																																														



Fitting Specifications

Operating Temperature Range: -50 ~ 150°C (No Freezing)  
Max. Operating Pressure: 6.9MPa



Ordering Example: SJSMT6A

For orders larger than indicated quantity, please check with WOS.