

# Tubes

**Fluoro Rubber Tubes**  
Transparent Type  
**PUTFB**  
**PUTFBL**



Material: Fluoro Rubber

Part Number	Standard Length (m)	Configurable Length (0.5m Increment)	I.D. (mm)	O.D. Accuracy (mm)	Max. Operating Pressure (MPa)	Burst Pressure (MPa)	Mass (kg/m)	Standard		Configurable Length				
								Unit Price	Volume Discount Rate	Unit Price/m	Volume Discount Rate/m			
Type	O.D. (mm)	PUTFB	PUTFBL					1 ~ 4 pc(s)	5 ~ 10	1 ~ 4 pc(s)	5 ~ 10			
PUTFB (Standard Length)	4	10	0.5-9.5 10.5-19.5	2	±0.15	0.248	0.993	0.018						
		20												
	6	10		4					0.149	0.594	0.030			
PUTFBL (Configurable Length)	8	10		6					0.09	0.360	0.042			
		20												
	10	10		8					0.049	0.195	0.053			
		20												

Features: Excellent in transparency and chemical resistance.

**Fluoro Rubber Tubes**  
Heat Resistant Type  
**PUTFG**  
**PUTFGL**



Material: Fluoro Rubber

Part Number	Standard Length (m)	Configurable Length (0.5m Increment)	I.D. (mm)	Min. Bending Radius (mm)	O.D. Accuracy (mm)	Max. Operating Pressure (MPa)	Burst Pressure (MPa)	Mass (kg/m)	Standard		Configurable Length					
									Unit Price	Volume Discount Rate	Unit Price/m	Volume Discount Rate/m				
Type	O.D. (mm)	PUTFG	PUTFGL						1 ~ 4 pc(s)	5 ~ 10	1 ~ 4 pc(s)	5 ~ 10				
PUTFG (Standard Length)	4	10	0.5-9.5 10.5-19.5	2	±0.15	-	-	0.019								
		20														
	6	10		4					20	-	-	0.031				
PUTFGL (Configurable Length)	8	10		6					25	0.088	0.35	0.044				
		20														
	10	10		8					35	±0.2	-	-	0.080			
		20														

Features: Excellent in heat resistance (~ 200°C), oil resistance, ozone resistance, and chemical resistance.

**Silicon Tubes**  
**PUTC**  
**PUTCL**



Material: Silicon Rubber

Part Number	Standard Length (m)	Configurable Length (0.5m Increment)	I.D. (mm)	Min. Bending Radius (mm)	Mass (kg/m)	Standard		Configurable Length		
						Unit Price	Volume Discount Rate	Unit Price/m	Volume Discount Rate/m	
Type	O.D. (mm)	PUTC	PUTCL			1 ~ 4 pc(s)	5 ~ 10	1 ~ 4 pc(s)	5 ~ 10	
PUTC (Standard Length)	4	10	0.5-9.5 10.5-19.5	2	10	0.011				
		20								
PUTCL (Configurable Length)	6	10		4	20		0.018			
	8	10		6	45		0.025			
		20								
	10	10		8	70		0.033			
		20								
	12	10	9	65	0.058					
		20								

Ordering Example: Part Number - Length  
PUTFB4 - 10  
PUTCL4 - 3.5

Use Inserts for Soft Tubes when connecting Silicone Tubes to One-Touch Couplings. (P.12-1390)

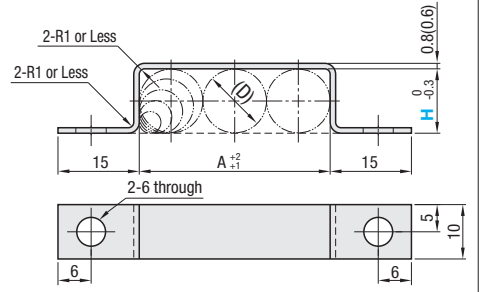
# Tube Clips / Tube Cutter

**Tube Clips**



RoHS10

Type	Material	Surface Treatment
CUCLP	EN 1.0330 Equiv.	Trivalent Chromate
CUCLPS	EN 1.4301 Equiv.	-



Dimensions in ( ) are for CUCLPS.

Part Number	Number of Tubes	A	Applicable Tube O.D. (D)	Unit Price	
				CUCLP	CUCLPS
Type	H				
CUCLP CUCLPS	4	2-10	4x pcs.	4	
	6		6x pcs.	6	
	8		8x pcs.	8	
	10		10x pcs.	10	
	12		12x pcs.	12	

Ordering Example: Part Number  
CUCLP4

**Soft Tube Inserts**



RoHS10

Type	Material	Surface Treatment
PUIT	EN CW508L Equiv.	Electroless Nickel Plating
PACK-PUSIT	EN 1.4301 Equiv.	-




Part Number	Applicable Tube O.D. (mm)	D	d	D1	L	PUIT		PACK-PUSIT	
						Unit Price	Volume Discount Rate	Unit Price	Volume Discount Rate
Type						1 ~ 9 pc(s)	10-30	1 ~ 2 pack(s)	3-10
PUIT PACK-PUSIT	4	2.5	2.5	2.1	2.8	18			
	6	4	4.0	3.6	4.5	18.5			
	8	5	5.0	4.6	5.5	20			
	10	6.5	6.5	6.1	7.0	22			

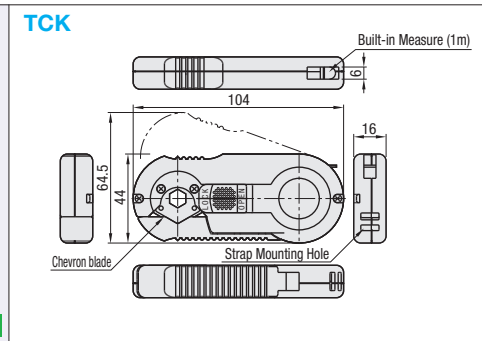
Ordering Example: Part Number  
PUIT4

10 pcs. per pack for PACK-PUSIT.  
Features:  
• Prevents shrinkage of tube from inside.  
• Insert this into the connecting part of soft tubes.

**Tube Cutter** **Tube Cutter Replacement Blade**  
**TCK** **TCKE**



RoHS10



Part Number	Unit Price
Type	1 ~ 20 pc(s)
TCK	

Part Number	Quantity	Unit Price
Type	1 ~ 10 pc(s)	
TCKE	10 pcs. / set	

Features:  
• New edges can be used by turning the chevron blade 180 degrees.  
• The tube can be cut at a desired length using the built-in measure.  
• The tube cutter can be safely stored using the lock mechanism.

Ordering Example: Part Number  
TCK