



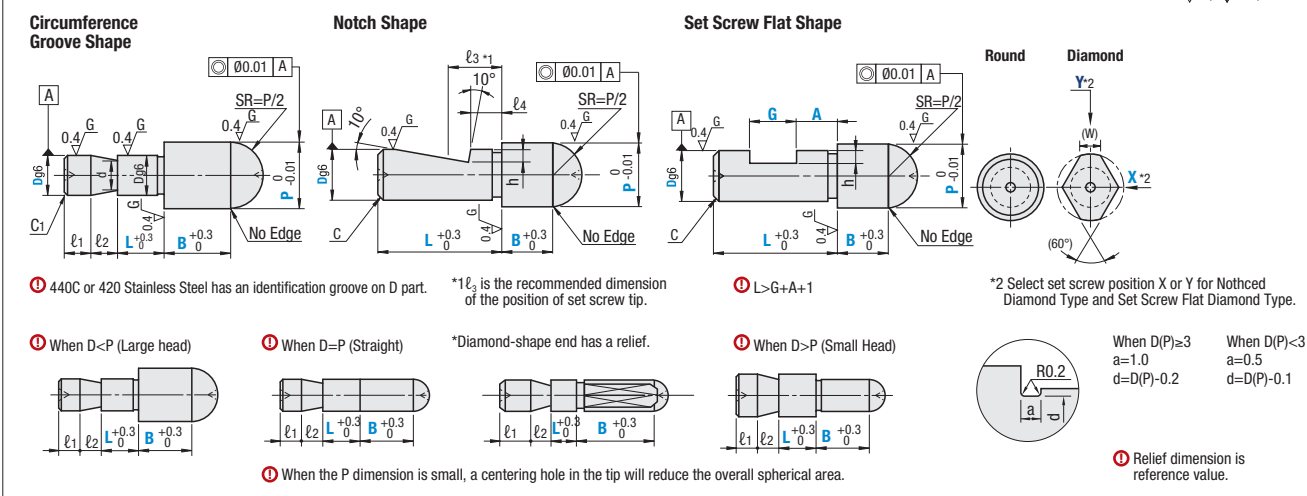
Locating Pins (Small & Large Spherical Head)

Set Screw Mounting Shank



RoHS10

Materials No.	Materials	Surface Treatment	Hardness	Type			Shape Code
				Circumference Groove	Notch	Set Screw Flat	
(1)	O1 Tool Steel Equivalent	—	Treated Hardness: 60-63 HRC min.	JPGQ	JPCQ	JPDQ	S (Sound) D (Diamond)
(2)	O1 Tool Steel Equivalent	Hard Chrome Plating	Hardness: 50-55 HRC min. Plating Hardness 750 HV min.	GJPGQ	GJPCQ	—	
(3)	304 Stainless Steel Equivalent	—	—	SJPGQ	SJPCQ	—	
(4)	440C or 420 Stainless Steel	—	Treated Hardness: 50-55 HRC min.	CJPGQ	—	—	



Circumference Groove Shape

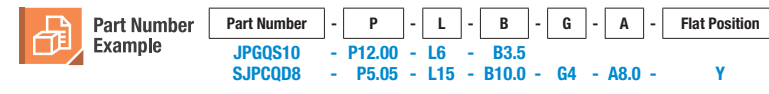
Type	Part Number Shape	D	D Tolerance g6	P 0.01 mm Increment	L 1 mm Increment	B 0.1 mm Increment	d	l ₁	l ₂	C ₁	(W)				
											When D < P	When D ≥ P			
JPGQ GJPGQ SJPGQ CJPGQ	S Round	6	-0.004	2.00-10.00	3-12	2.0-20.0	4.5	5	5	1	3	1.5			
		6S	-0.012		2-12										
		8	-0.005 -0.014	4-16	2.0-20.0 (15.0)										
		8S		3-16											
		10		5-20											
	10S	3.00-15.00	4-20	8	8	6	2	4	2.2						
	12	-0.006 -0.017	6-24							3.0-30.0 (25.0)					
	12S		5-24												
	16		8-32												
	16S	10.00-25.00	7-32							14	8	8	0.5	5	2.5
20	-0.007 -0.020	13.00-30.00	10-40	5.0-30.0	18	8	3	9	5						

B length in () is applicable to Diamond Shape.

Notch Shape / Set Screw Flat Shape

Type	Part Number Shape	D	D Tolerance g6	P 0.01 mm Increment	L 1 mm Increment	B 0.1 mm Increment	G 1 mm Increment	A 0.1 mm Increment	Flat Position	l ₃	l ₄	h	C	Applicable Set Screws	(W)								
															When D < P	When D ≥ P							
Notched Set Screw Flat JPCQ GJPCQ SJPCQ JPDQ	S Round	6	-0.004	5.00-10.00	12-20	5.0-20.0 (15.0)	3-9	2.0-8.0	X Y	5.5	2.5	1.0	1	M4	3	1.5							
		8	-0.005														5.00-13.00	14-22	5.0-30.0 (15.0)	7.5	3.5	1.2	1.5
		10	-0.014	5.00-15.00	15-25	5.0-30.0 (15.0)											7.5	3.5	1.2	2	M6	4	2.2
	D Diamond	12	-0.006	5.00-16.00	15-25	5.0-30.0 (15.0)											7.5	3.5	1.2	2	M6	5	2.5
		16	-0.017	10.00-25.00	24-35	5.0-30.0											10.5	5.5	2.0	3	M8	7	4
		20	-0.007	13.00-30.00	27-40	5.0-30.0											13.5	8.5	2.0	3	M8	9	5

① Applicable set screws in the table are the recommended sizes for Notch Shape. B length in () is applicable to Diamond Shape



Locating Pins (Small & Large Spherical Head)

Set Screw Mounting Shank, continued

Circumference Groove Shape

D	Available Types for Round Shape				Available Types for Diamond Shape			
	(1) O1 Tool Steel Hardened JPGQS	(2) Hard O1 Tool Steel GJPGQS	(3) 304 Stainless Steel SJPGQS	(4) 440C or 420 Stainless Steel CJPGQS	(1) O1 Tool Steel Hardened JPGQD	(2) Hard O1 Tool Steel GJPGQD	(3) 304 Stainless Steel SJPGQD	(4) 440C or 420 Stainless Steel CJPGQD
6	•	•	•	•	•	—	—	—
6S	•	•	•	•	•	—	—	—
8	•	•	•	•	•	—	—	—
8S	•	•	•	•	•	—	—	—
10	•	•	•	•	•	—	—	—
10S	•	•	•	•	•	—	—	—
12	•	•	•	•	•	—	—	—
16	•	•	•	•	•	—	—	—
16S	•	•	•	•	•	—	—	—
20	•	•	•	•	•	—	—	—

Notch Shape

D	Available Sizes for Round Shape			Available Sizes for Diamond Shape		
	(1) O1 Tool Steel Hardened JPCQS	(2) Hard O1 Tool Steel GJPGQS	(3) 304 Stainless Steel SJPCQS	(1) O1 Tool Steel Hardened JPCQD	(2) Hard O1 Tool Steel GJPGQD	(3) 304 Stainless Steel SJPCQD
6	•	•	—	•	•	•
8	•	•	—	•	•	•
10	•	•	—	•	•	•
12	•	•	—	•	•	•
16	•	•	—	•	•	•
20	•	•	—	•	•	•

Set Screw Flat Shape

D	Available Sizes for Round Shape	Available Sizes for Diamond Shape
	(1) O1 Tool Steel Hardened JPDQS	(1) O1 Tool Steel Hardened JPDQD
6	•	—
8	•	—
10	•	—
12	•	—
16	•	—
20	•	—

Locating Pins / Bushings for Locating Pins

Locating Pins / Bushings for Locating Pins