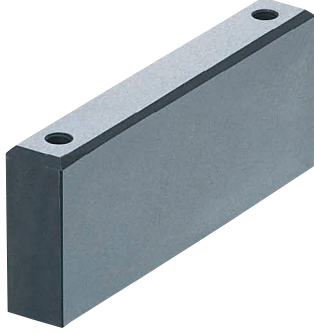


# CAVITY INSERT WEDGES

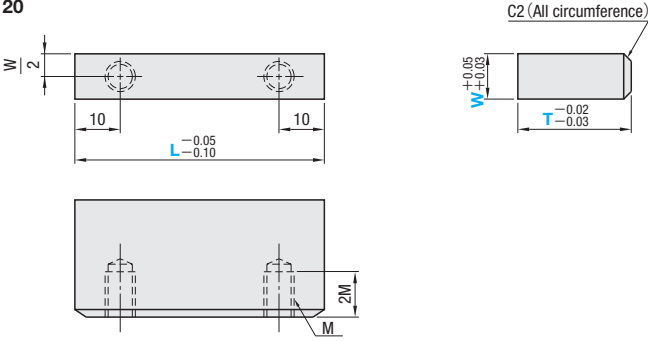
—PARALLEL TYPE—

Non JIS material definition is listed on P.1351 - 1352

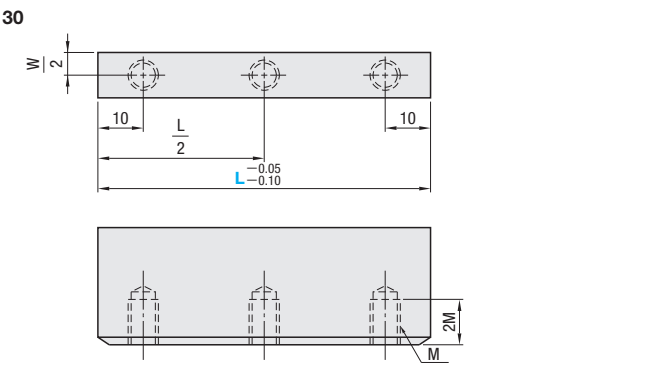


Part Number	M	H
IPS	SKS3	53~56HRC

**L ≤ 120**

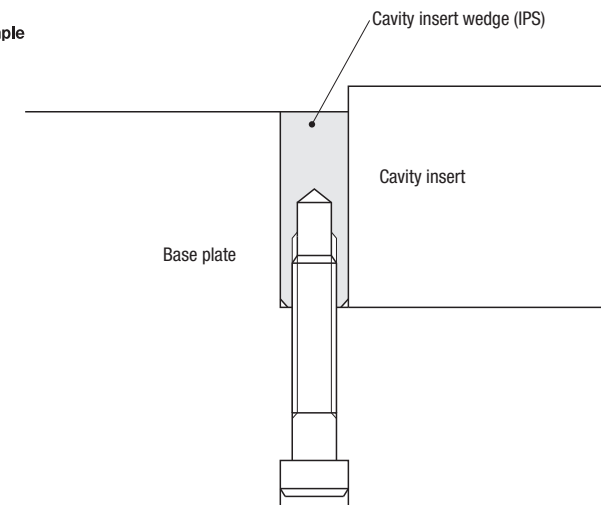


**L ≤ 130**



**P** Price **Quotation**

**ex** Example

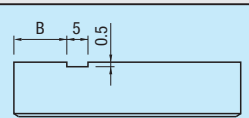
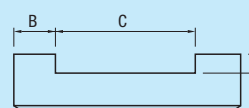


M	Part Number		T 5mm increments	L 10mm increments
	Type	W		
5	IPS	8	20~40	30~200
6		10		
7		15		
8		20		
		25		

Order **Part Number** - **T** - **L**  
IPS 15 - 30 - 150

Days to Ship **Quotation**

Alterations **Part Number** - **T** - **L** - (AVC · SRC)  
IPS 15 - 30 - 150 - AVC-B100

Alterations	Code	Spec.	1Code
	AVC	(Air vent processing) B=5mm increments $0 \leq B \leq L-5$ [Designation method] AVC-B100	<b>Quotation</b>
	SRC	(Slide core relief processing) B · C · D=5mm increments $0 \leq B \leq L-5, 5 \leq D \leq T/2, 0 \leq C \leq L-5, B+C \leq L-5$ $D < T-2M$ [Designation method] SRC-B30-C60-D10	

⊗ AVC and SRC cannot be combined.