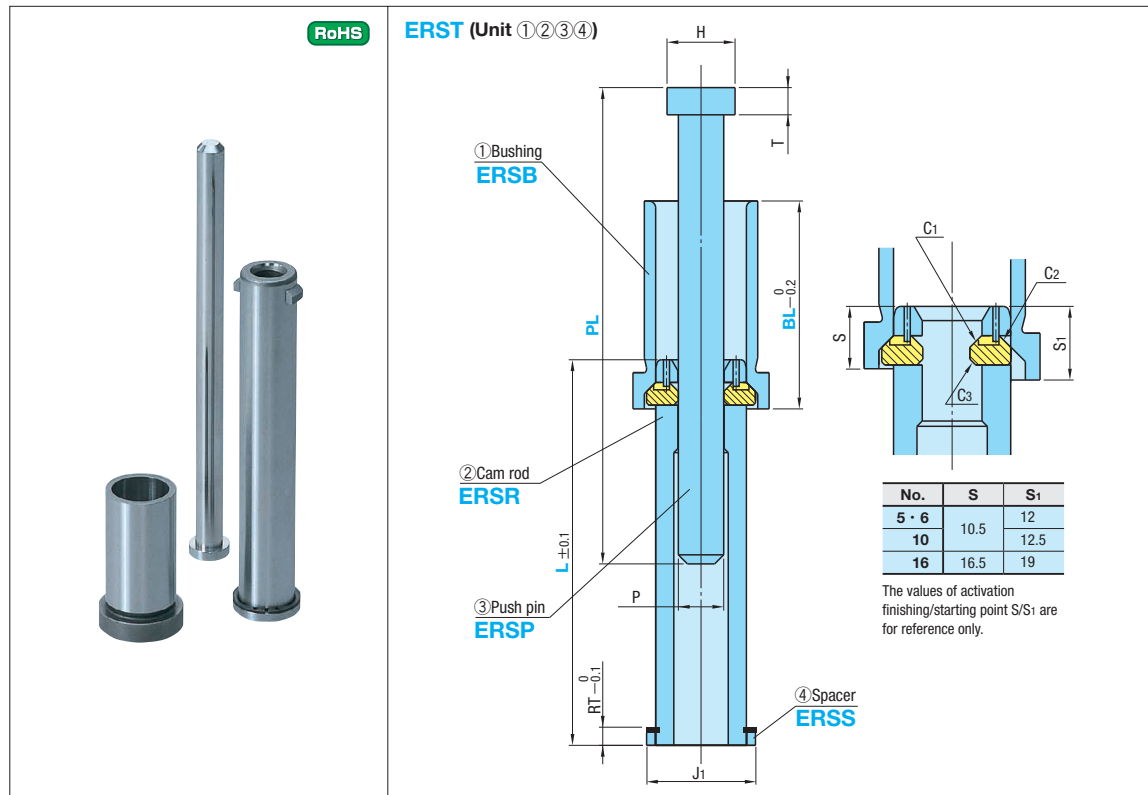
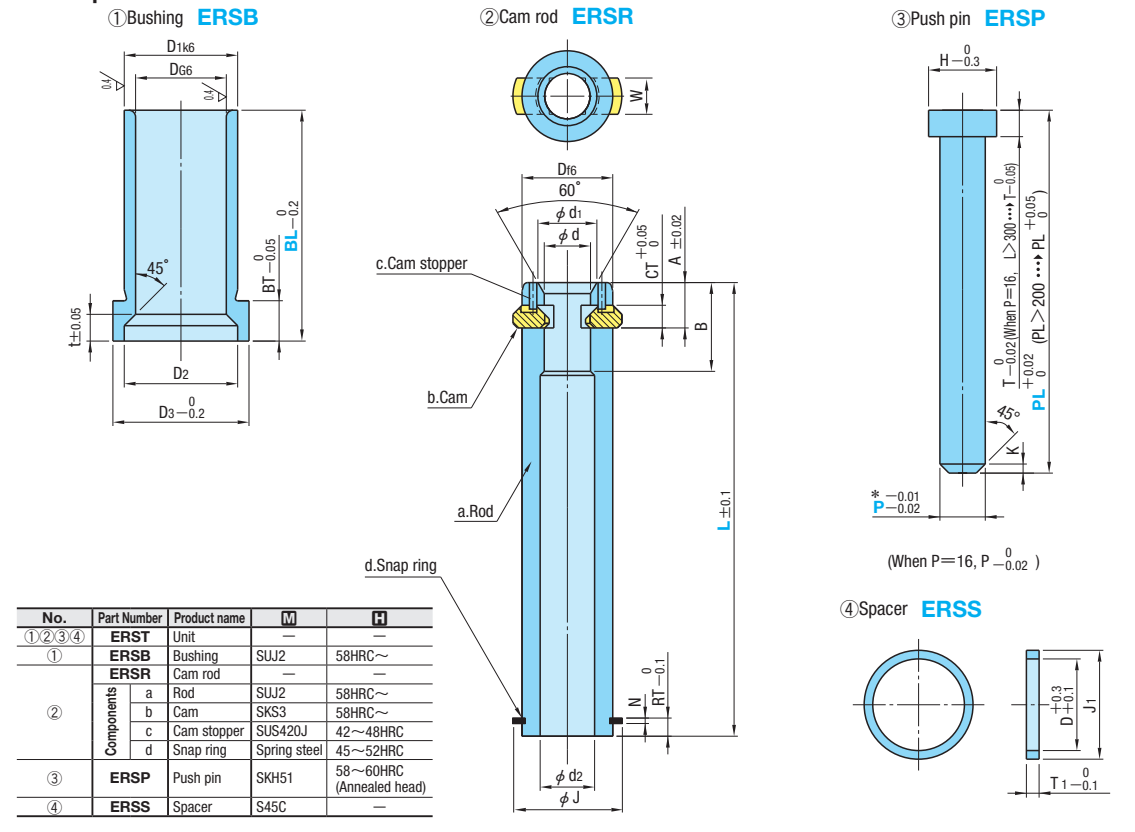


EARLY RETURN UNITS FOR EJECTOR PLATE

Ⓜ Non JIS material definition is listed on P.1351 - 1352



Components



Part Number	① Bushing							② Cam rod (Set of a, b, c, and d)														
	Type	No.	D _{G6}	D _{1k6}	D ₂	D ₃	BT	t	d	d ₁	d ₂	D _{f6}	C ₁	C ₂	C ₃	J	N	RT	CT	A	B	W
ERST	5	12	$12^{+0.017}_{+0.006}$	$16^{+0.015}_{+0.002}$	16	19	-	-	5	6.8	7	$12^{-0.016}_{-0.027}$	1.5	1.5	1	16	1	4	5	10	15	4.4
	6	15	$15^{+0.017}_{+0.006}$	$20^{+0.015}_{+0.002}$	19	24	8	5.5	6	8	8	$15^{-0.016}_{-0.027}$	2	2	1	18.6	1.2	4	5	10	18	5.6
	10	20	$20^{+0.020}_{+0.007}$	$25^{+0.015}_{+0.002}$	25	30	-	-	10	12	12	$20^{-0.020}_{-0.033}$	2	2	1	24.5	1.2	8	8	16	25	9
	16	30	$30^{+0.020}_{+0.007}$	$40^{+0.018}_{+0.002}$	36	46	13	8.5	16	19	18	$30^{-0.020}_{-0.033}$	2.5	2.5	1.5	35.5	1.5	8	8	16	32	14

P	H	T	K	③ Push pin		④ Spacer		Part Number	Type	No.	① Length of bushing	② Length of cam rod	③ Length of push pin
				BL	L	PL	50.00~150.00				150.01~250.00*1	250.01~350.00*2	
5	8	6	1.5	12	16	3	ERST	5	20~50	50.0~100.0	50.0~100.0	50.0~150.00	
6	10	6	2	15	18.8	3	ERST	6	25~60	50.0~100.0 100.5~125.0	50.0~100.0 100.5~125.0	50.0~200.00	
10	15	8	2	20	24.5	2.8	ERST	10	35~100	50.0~100.0 100.5~160.0	50.0~100.0 100.5~160.0	50.0~300.00	
16	21	8	4	30	35.5	6.5	ERST	16	40~100	50.0~100.0 100.5~160.0	50.0~100.0 100.5~160.0	50.0~350.00	

Units (①②③④)

Part Number	Type	No.	BL	L	PL	U/Price/1~9												
						50.00~150.00	150.01~250.00*1	250.01~350.00*2										
ERST	5	5	20~50	50.0~100.0	50.0~100.0	50.00~150.00	150.01~250.00*1	250.01~350.00*2										
									6	6	25~60	50.0~100.0 100.5~125.0	50.0~100.0 100.5~125.0					
														10	10	35~100	50.0~100.0 100.5~160.0	50.0~100.0 100.5~160.0

Components (Unit)

① Bushing				③ Push pin			
Part Number	Type	BL	U/Price 1~9	Part Number	Type	BL	U/Price 1~9
ERSB	No.	1mm increments	BL25~40 BL41~60* BL61~80 BL81~100	ERSP	No.	0.01mm increments	PL50.00~150.00 PL150.01~250.00*1 PL250.01~350.00*2
5	5	20~50	Quotation	5	5	50.00~150.00	Quotation
6	6	25~60	Quotation	6	6	50.00~200.00	Quotation
10	10	35~100	Quotation	10	10	50.00~300.00	Quotation
16	16	40~100	Quotation	16	16	50.00~350.00	Quotation

*1 The length of push pin ERST6 is PLmax.=200 *2 The length of push pin ERST10 is PLmax.=300

② Cam rod (Set of a, b, c, and d)

Part Number	Type	No.	L	U/Price 1~9
ERSR	No.	0.5mm increments	L50.0~100.0 L100.5~160.0	Quotation
5	5	50.0~100.0	Quotation	
6	6	50.0~125.0	Quotation	
10	10	60.0~160.0	Quotation	
16	16	60.0~160.0	Quotation	

Order	Part Number	BL	L	PL
☎	ERST 10	BL50	L128.5	PL180.00
	ERSB 10	BL50	-	-
	ERSR 10	-	L123.5	-
	ERSP 10	-	-	PL160.00
	ERSS 10	-	-	-

Days to Ship **Quotation**

Price **Quotation**

Alterations	Part Number	BL	L	PL	(HC・TC)
🔧	ERST10	BL48	L120.5	PL152.00	TC5
	ERSP10	-	-	PL162.00	HC13

Alterations	Code	Spec.	1Code
🔧	HC	Head diameter change HC=0.1mm increments P+1≤HC<H Ⓜ Available for ERST/ERSP	Quotation
🔧	TC	Head thickness change TC=0.1mm increments T/2≤TC<T Dimension PL remains unchanged. Ⓜ T-TC≤PLmax.-PL Ⓜ Available for ERST/ERSP	Quotation