


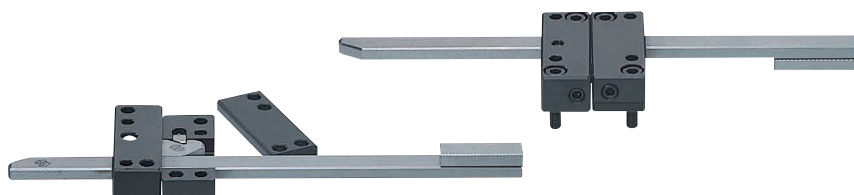
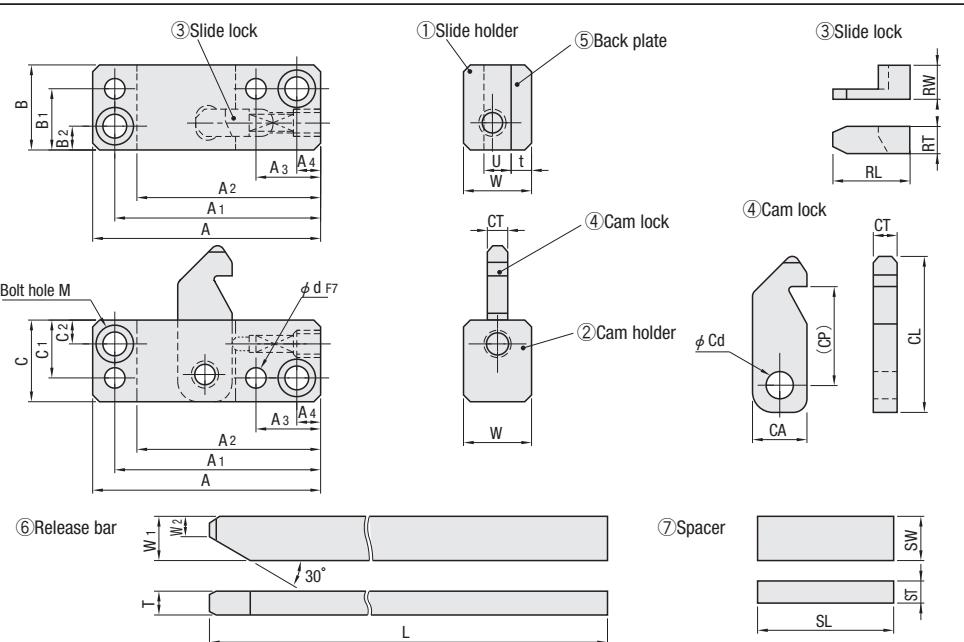
# PARTING LOCK SETS

—FOR LIGHT • MEDIUM • HEAVY LOAD—

# PARTING LOCK SETS

—COMPACT TYPE—

Ⓜ Non JIS material definition is listed on P.1351 - 1352

Item	① Slide holder	② Cam holder	③ Slide lock	④ Cam lock	⑤ Back plate	⑥ Release bar	⑦ Spacer
M	SKD61	SKD61	SKD11	SKD11	SK	S45C	S45C
G	50~55HRC	50~55HRC	58HRC~	58HRC~	50HRC~	45HRC~ (Induction hardening)	—

Part Number	① Slide holder • ② Cam holder												③ Slide lock					
	A	A <sub>1</sub>	A <sub>2</sub>	A <sub>3</sub>	A <sub>4</sub>	B	B <sub>1</sub>	B <sub>2</sub>	C	C <sub>1</sub>	C <sub>2</sub>	W	U	Bolt hole M	d	RL	RT	RW
PLS	68	61.5	55	19	7	26	19	7	24	17	7	20	8	For M6	φ 6	18	7	11
PLM	88	79	70	24	9	38	29	9	30	21	9	30	12	For M8	φ 8	20	9	16
PLL	104	93	82	27	11	48	37	11	38	27	11	45	20	For M10	φ 10	24	12	26

CL	④ Cam lock			⑤ Release bar				⑦ Spacer			Accessories		Part Number	U/Price (①~⑦) 1~9 sets		
	CP	CA	CT	Cd	t	W <sub>1</sub>	W <sub>2</sub>	T	L	SW	ST	SL			Bolt 4 pcs.	Dowel pin 4 pcs.
45	28	16	7.5	8	6	13	5.9	7	250	13	6.5	40	CB6-25	MSTM6-30	WHH6-15	PLS
64	41	20	10	10	7	16	8	10	300	16	8	50	CB8-35	MSTM8-40	WHH8-20	PLM
84	53.5	25	18	13	8	20	9.5	15.5	350	20	10.2	55	CB10-50	MSTM10-50	WHH8-20	PLL

■ Components (Unit) Use when a cam holder unit is necessary, such as during two-color molding or insert molding, or when a lock set with a long release bar is necessary.

Part Number	①③⑤+Accessories Slide holder unit	U/Price for 1~9 sets	②④+Accessories Cam holder unit	U/Price for 1~9 sets	⑥(L: 300mm)⑦ Release bar long type	U/Price for 1~9 sets
For PLS	PLS-SH	Quotation	PLS-CH	Quotation	PLS-RL	Quotation
For PLM	PLM-SH	Quotation	PLM-CH	Quotation	—	Quotation

Ⓜ When PLS with a long release bar is necessary, use PLS-SH, PLS-CH and PLS-RL.

■ Components (Single Items) Ⓜ Consumable components-cam locks, slide locks and release bars can be purchased independently.

Part Number	③ Slide lock only	U/Price for 1~9	④ Cam lock only	U/Price for 1~9	⑥ Release bar only	U/Price for 1~9
For PLS	PRS	Quotation	PRK	Quotation	PRL	Quotation
For PLM	PRSM	Quotation	PRKM	Quotation	PRLM	Quotation
For PLL	PRSL	Quotation	PRKL	Quotation	PRLL	Quotation



Part Number  
PLM





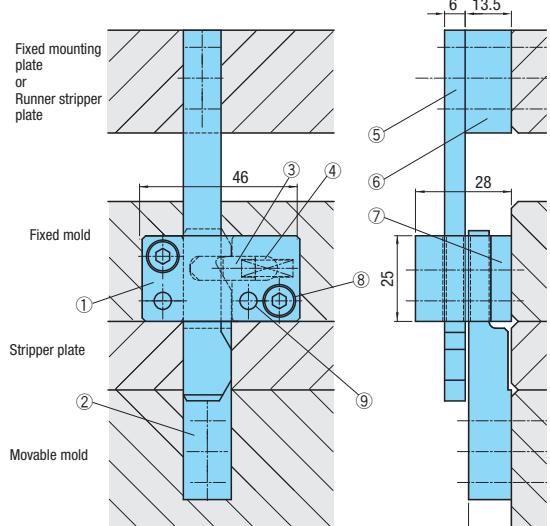
Days to Ship

Quotation



Price

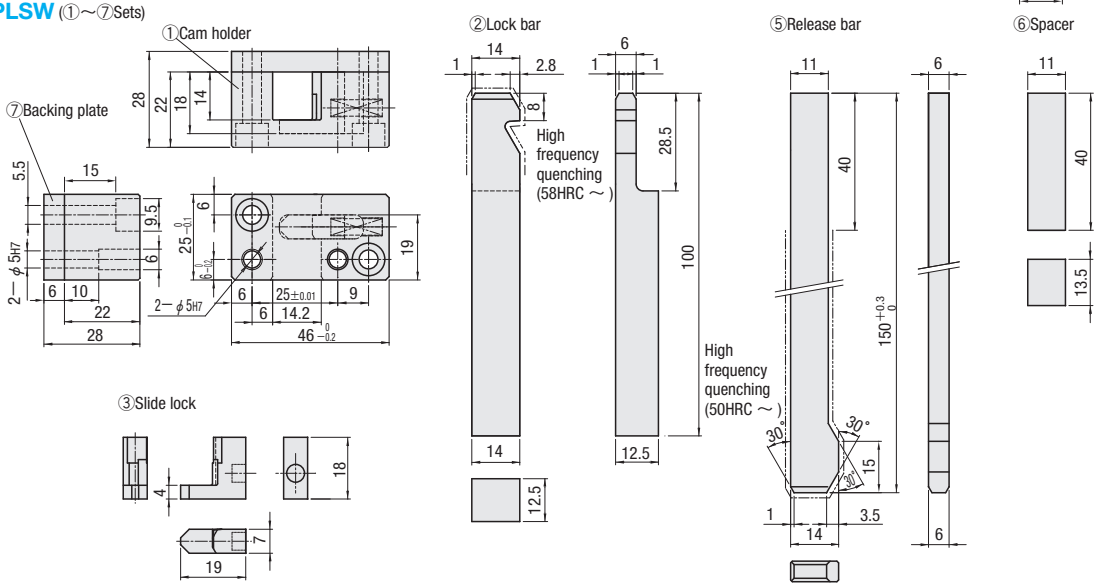
Quotation

Items	M	G
① Cam holder	SKD61	50~55HRC
② Lock bar	SKS3	58HRC~ (High frequency quenching)
③ Slide lock	SKD11	58~60HRC
④ Spring	SUS631	—
⑤ Release bar	SKS3	50HRC~ (High frequency quenching)
⑥ Spacer	S45C	—
⑦ Backing plate	SKS3	50HRC~

A: ⑧ CB5-30 (2Pcs.) ⑨ MSTM5-25 (2Pcs.)

PLSW (①~⑦ Sets)



■ Parting Lock Set

Components	Part Number	U/Price 1~9 Sets
①~⑦ Sets	PLSW	Quotation



Order

Part Number  
PLSW



Days to Ship

Quotation

■ Features

- Space saving.....The lock bar and release bar are constructed in such a way that they overlap when operating, thus realizing compactness (width is 46 mm).
- The lock bar is included, so it can also be used for thrusting out the stripper plate.

■ Cam holder unit

Components	Part Number	U/Price 1~9 Sets
①③④⑦+Accessories	PLSW-CH	Quotation

■ Release bar long type

Components	Part Number	U/Price 1~9 Sets
⑤ (Length: 250mm)⑥	PLSW-RL	Quotation

Ⓜ If a lock set with long release bar is necessary, use PLSW-CH, PLSW-RL and PRKW.

■ Components (Single Items)

Components	Part Number	U/Price 1~9
② Lock bar	PRKW	Quotation
③ Slide lock	PRSW	Quotation
⑤ Release bar	PRLW	Quotation

Ⓜ Consumable components-lock bars, slide locks and release bars can be purchased independently.



Price

Quotation