

QUICK-FITTING JOINTS FOR MOLD COOLING—INTEGRATED PLUG • SOCKET—


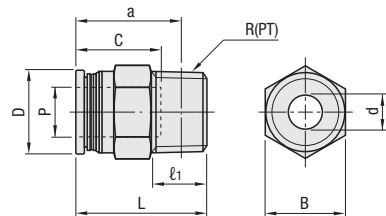
—FOR HIGH TEMPERATURE TYPE (HEAT RESISTANT 99°C SERIES)—

QUICK-FITTING JOINTS FOR MOLD COOLING—INTEGRATED PLUG • SOCKET—

—FOR HIGH TEMPERATURE TYPE (HEAT RESISTANT 99°C SERIES) L-SHAPED TYPE—

ⓘ Non JIS material definition is listed on P.1351 - 1352


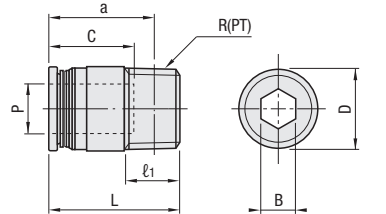
RoHS **M-KC**

M Body: Brass (C3604)+Electroless Nickel plating
 Release ring: Brass (C3604)+Electroless Nickel plating
 Thread: Brass (C3604)+Electroless Nickel plating
 Thread JIS B0203 tapered thread for tubing R(PT)
 ※Thread part is applied with heat resistant sealant.
 ⓘ M-KC is made in integral structure, and cannot be disassembled.
 ⓘ Use in normal pressure 300kPa (3kgf/cm²) or lower.
 ⓘ Keep water temperature under 99°C.
 ⓘ Set the surge pressure (the pressure that acts instantaneously due to an impact flow) so that it does not exceed the maximum working pressure (300 kPa).
 ⓘ Be sure to use an insert sleeve (P.1102) when using this socket.

Matching tubes Outer×Inner dia.	Tube inserting hole		D	d	L	a	B	l ₁	R(PT)	Part Number		U/Price 1~19
	Hole dia. P	Depth C								Type	No.	
4×2.5	4	14.5	9.4	2.5	20.6	16.6	10	8	1/8	M-KC	4-01-1	Quotation
											6-01-1	
6×4	6	16.6	11.4	4	22.2	18.2	12	11	1/4		6-02-1	
											8-01-1	
8×6	8	17.7	13.4	6	27.4	23.4	14	8	1/8		8-02-1	
											10-01-1	
10×7.5	10	20	16.4	8	30.1	26.1	17	11	1/4		10-02-1	
											10-03-1	
12×9	12	22.6	19.4	8.5	35.2	29.2	21	11	1/4		12-02-1	
											12-03-1	


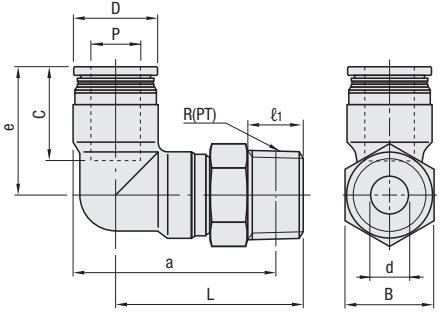
RoHS **M-KOC**

M Body: Brass (C3604)+Electroless Nickel plating
 Release ring: Brass (C3604)+Electroless Nickel plating
 Thread: Brass (C3604)+Electroless Nickel plating
 Thread JIS B0203 tapered thread for tubing R(PT)
 ※Thread part is applied with heat resistant sealant.
 ⓘ M-KOC is made in integral structure, and cannot be disassembled.
 ⓘ Use in normal pressure 300kPa (3kgf/cm²) or lower.
 ⓘ Keep water temperature under 99°C.
 ⓘ Set the surge pressure (the pressure that acts instantaneously due to an impact flow) so that it does not exceed the maximum working pressure (300 kPa).
 ⓘ Be sure to use an insert sleeve (P.1102) when using this socket.

Matching tubes Outer×Inner dia.	Tube inserting hole		D	L	a	B	l ₁	R(PT)	Part Number		U/Price 1~19
	Hole dia. P	Depth C							Type	No.	
4×2.5	4	14.5	9.9	20.6	16.6	2.5	8	1/8	M-KOC	4-01-1	Quotation
										6-01-1	
6×4	6	16.6	11.9	22.2	18.2	4	11	1/4		8-01-1	
										8-02-1	
8×6	8	17.7	13.9	27.4	23.4	5	8	1/8		10-01-1	
										10-02-1	
10×7.5	10	20	16.9	29.1	23.1	6	11	1/4		10-03-1	
										12-03-1	
12×9	12	22.6	20.8	31.2	24.9	8	12	3/8			


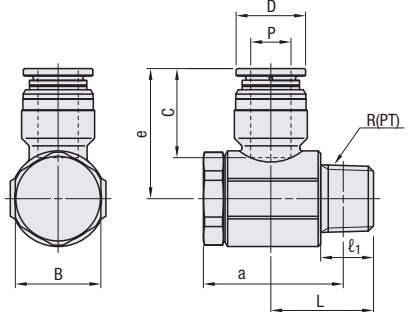
RoHS **M-KL**

M Body: Brass (C3604)+Electroless Nickel plating
 Release ring: Brass (C3604)+Electroless Nickel plating
 Thread: Brass (C3604)+Electroless Nickel plating
 Thread JIS B0203 tapered thread for tubing R(PT)
 ※Thread part is applied with heat resistant sealant.
 ⓘ M-KL is made in integral structure, and cannot be disassembled.
 ⓘ Use in normal pressure 300kPa (3kgf/cm²) or lower.
 ⓘ Keep water temperature under 99°C.
 ⓘ Set the surge pressure (the pressure that acts instantaneously due to an impact flow) so that it does not exceed the maximum working pressure (300 kPa).
 ⓘ Be sure to use an insert sleeve (P.1102) when using this socket.

Matching tubes Outer×Inner dia.	Tube inserting hole		D	d	L	a	e	B	l ₁	R(PT)	Part Number		U/Price 1~19
	Hole dia. P	Depth C									Type	No.	
4×2.5	4	14.5	10.5	2.5	22.8	24.1	17.6	10	8	1/8	M-KL	4-01-1	Quotation
												6-01-1	
6×4	6	16.5	12.5	4	25	27.3	20.1	12	11	1/4		8-01-1	
												8-02-1	
8×6	8	17.7	14.5	6	28	31.3	22.3	14	8	1/8		10-01-1	
												10-02-1	
10×7.5	10	20	18.5	8	35.5	38.7	26.1	17	11	1/4		10-03-1	
												12-02-1	
12×9	12	22.6	21.5	9	37.5	42.2	29.7	21	11	1/4		12-02-1	
												12-03-1	

RoHS **M-KH**

M Body: Brass (C3604)+Electroless Nickel plating
 Release ring: Brass (C3604)+Electroless Nickel plating
 Thread: Brass (C3604)+Electroless Nickel plating
 Thread JIS B0203 tapered thread for tubing R(PT)
 ※Thread part is applied with heat resistant sealant.
 ⓘ M-KH is made in integral structure, and cannot be disassembled.
 ⓘ Use in normal pressure 300kPa (3kgf/cm²) or lower.
 ⓘ Keep water temperature under 99°C.
 ⓘ Set the surge pressure (the pressure that acts instantaneously due to an impact flow) so that it does not exceed the maximum working pressure (300 kPa).
 ⓘ Be sure to use an insert sleeve (P.1102) when using this socket.

Matching tubes Outer×Inner dia.	Tube inserting hole		D	Allen side B	L	a	e	l ₁	R(PT)	Part Number		U/Price 1~19
	Hole dia. P	Depth C								Type	No.	
6×4	6	16.5	12.5	14	15.6	23.8	23.2	8	1/8	M-KH	6-01-1	Quotation
											8-01-1	
8×6	8	17.7	14.5	17	20.4	28.3	25.9	11	1/4		8-02-1	
											10-02-1	
10×7.5	10	20	18.5	17	20.4	28.3	28	11	1/4		12-03-1	
12×9	12	22.6	21.5	21	23.1	32.4	32.4	12	3/8			

Order **Part Number**
 M-KC8-01-1
 M-KOC6-01-1

Days to Ship **Quotation**

Price **Quotation**

Order **Part Number**
 M-KL4-01-1
 M-KH6-01-1

Days to Ship **Quotation**

Price **Quotation**