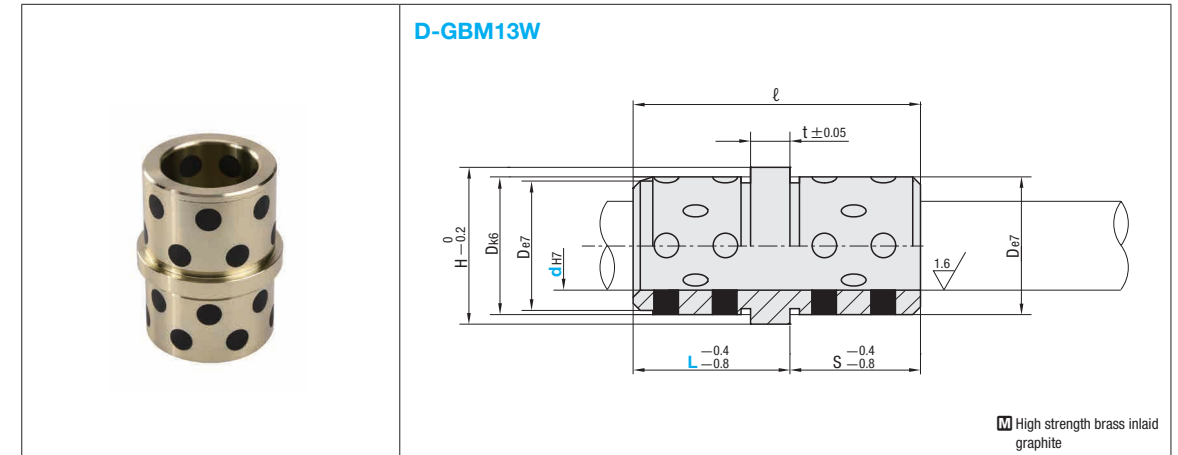


L1	D	H	t	l	Part No. Type	d	L				
8.3	20	25	6	—	D-GBM1100W	14	17				
13.3				22							
18.3				27							
27.3				36							
37.3				46							
47.3	56										
13.3	22	27	6	—		D-GBM1100W	16	22			
18.3				27							
27.3				36							
37.3				46							
47.3				56							
8.3	26	31	6	—			D-GBM1100W	18	17		
13.3				27							
18.3				36							
27.3				46							
37.3				56							
47.3	66										
57.3	30	35	6	40	D-GBM1100W			20	66		
67.3				76							
12.6				—					D-GBM1100W	22	22
17.6				27							
26.6				36							
36.6	46										
46.6	56										
56.6	42	47	6	48		D-GBM1100W		24		66	
66.6				76							
76.6				86							
86.6				96							
15.85				—			D-GBM1100W			30	27
24.85	36										
34.85	46										
44.85	56										
54.85	64										
64.85	54	60	10	64	D-GBM1100W			32		76	
74.85				86							
84.85				96							
104.9				116							
30.15				—					D-GBM1100W	40	46
40.15	56										
50.15	66										
60.15	76										
70.15	86										
80.15	54	60	10	96		D-GBM1100W		42		116	
100.15				136							
120.15				—							

dH7	dB13	De7	Dk6
14	+0.018 0	14	20
15		15	20
18		18	26
20	+0.021 0	20	26
22		22	30
24		24	30
30	+0.025 0	30	42
32		32	42
40		40	54
42	+0.025 0	42	54
		42	54
		42	54

Order Part No. — d — L
D-GBM1100W — 14 — 17



R	S	t	D	H	Part No. Type	d	L
26	9	6	20	25	D-GBM13W	14	17
			20			15	17
39	17		26	31		18	22
			26			20	22
49	22		30	35		22	27
			30			24	27
63	27		42	47		30	36
			42			32	36

dH7	De7	Dk6
14	+0.018 0	20
15		20
18		26
20		26
22		30
24	+0.021 0	30
30		42
32	+0.025 0	54
		54

Order Part No. — d — L
D-GBM13W — 14 — 17