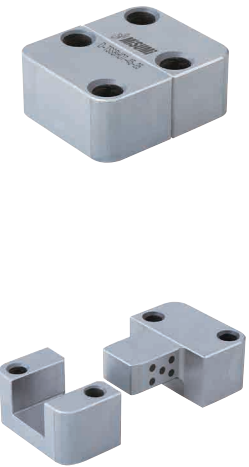
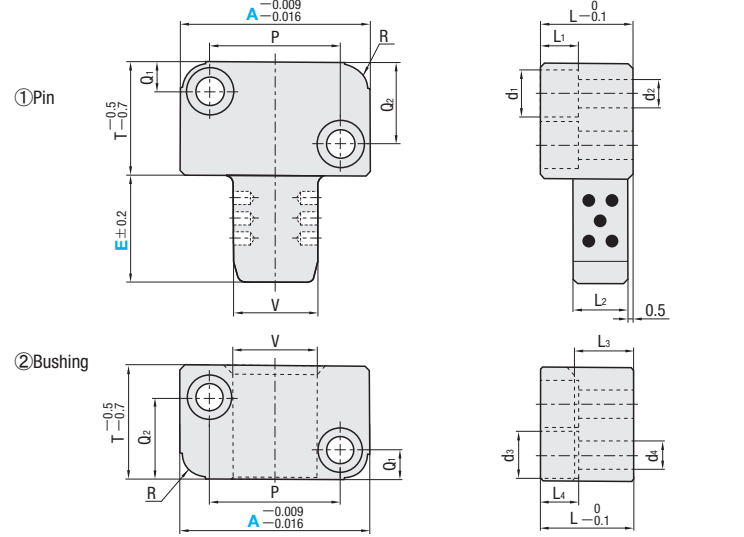


OIL-FREE SIDE STRAIGHT BLOCK SETS

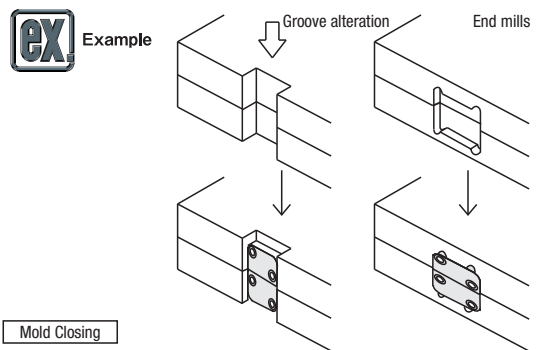


Part No.	V Tolerance		Positioning precision (Clearance)	V dimension symmetry against A plane	M	□
	① Pin	② Bushing				
D-TSSBH07	0 -0.007	+0.012 +0.005	0.005 0.015	0.005 or less	SKS3	53~58HRC



V	T	R	Bolt Hole								L	L1	L2	L3	L4	Part No.		E
			P	Q1	Q2	d1	d2	d3	d4	Type						A		
16	22	6	26	7	15	11	6.6	10.3	6.3	20	6.9	11	12	6.2	D-TSSBH07 (①+②Set)	40	20	
20	27		31		19							13	14			45	50	
25	36	8	35	9	27	15	9	15	9	32	9	14	15	50		32		
32	46		45	11	35							19	20	9		63	40	
40	56	10	60	15	40	18	11	18	11	36	11	22	23	11		85	50	
50	66		74	18	48							20	14	20		14	40	13
																	100	112

Order - -
D-TSSBH07 - 45 - 25



■ Features

- Suitable for positioning in precision molds such as connector and electronic device.
- It is capable of preventing wear and damage in core pins since it can be positioned before core pins and such are inlaid on cavity.
- Positioning is easily performed by simultaneously processing plates in piles (refers to drawing on the right).
- Use precision leader pins since clearance is fairly small.
- There are lubricant coating on the sliding part of the side block sets and on both sides of the pin.
- The oil grooves that oil is fed to the sliding part, thus preventing the straight locating block set from scuffing or seizing.

■ Usage

- Contacting the pin and bushing when mold is closed may cause damage. Please leave a clearance of about 1mm on PL.

