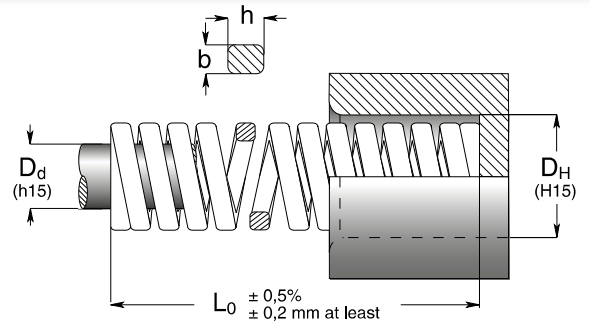


# Hyper-strong load springs - ISWW -

## Rectangular Wire



Catalog-No.	$D_H$	$D_d$	$L_0$ Free Length	$R$	$F_{max.}$	
	Hole Diameter	Rod Diameter		Spring Rate		
	----- b x h			$\pm 10\%$	N/mm	mm
	mm	mm	mm	N/mm	mm	N
ISWW16-20	16	6.3	20	1818.0	2.2	4000
ISWW16-35			35	1000.0	4.0	
ISWW16-50			50	615.0	6.5	
ISWW16-75			75	400.0	10.0	
ISWW16-100	----- 4.6 x 5.0		100	286.0	14.0	
ISWW19-25	19	8	25	2400.0	2.5	6000
ISWW19-40			40	1333.0	4.5	
ISWW19-50			50	1000.0	6.0	
ISWW19-75			75	600.0	10.0	
ISWW19-100	----- 5.1 x 6.5		100	429.0	14.0	
ISWW25-30	25	10	30	4800.0	2.5	12000
ISWW25-50			50	2400.0	5.0	
ISWW25-75			75	1500.0	8.0	
ISWW25-100			100	1000.0	12.0	
ISWW25-125	----- 6.9 x 9.1		125	857.0	14.0	
ISWW32-35	32	12.5	35	6667.0	3.0	20000
ISWW32-50			50	3636.0	5.5	
ISWW32-75			75	2222.0	9.0	
ISWW32-100			100	1538.0	13.0	
ISWW32-125			125	1250.0	16.0	
ISWW32-150	----- 9.25 x 10.8		150	1053.0	19.0	
ISWW38-40	38	16	40	7143.0	3.5	25000
ISWW38-50			50	5000.0	5.0	
ISWW38-75			75	2778.0	9.0	
ISWW38-100			100	1923.0	13.0	
ISWW38-150			150	1316.0	19.0	
ISWW38-200			----- 10.5 x 12.6		200	