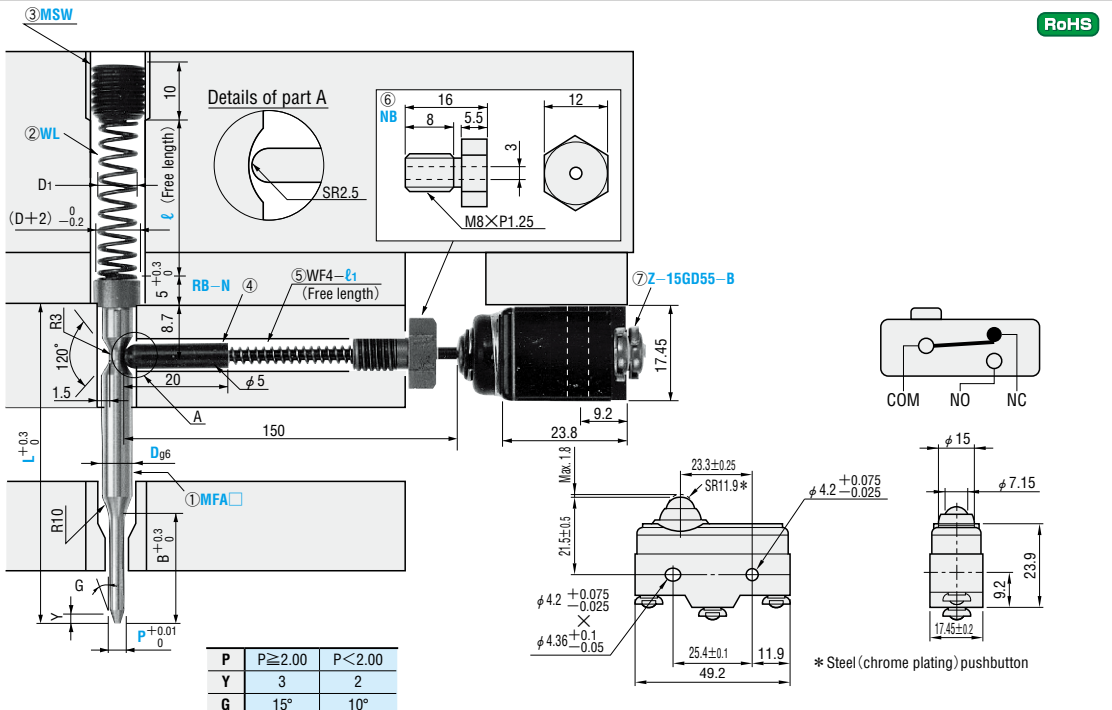


# MICROSWITCH MISFEED SENSOR UNITS

— HOLE FEED TYPE —

Ⓢ The hole feed type requires machining of a hole on the punch plate for installing the relation pin Ⓢ.



RoHS

## ① Misfeed pin

B	Catalog No.	Type	D	L						P	Base unit price 0.01mm increments	Volume discount unit price		
				1~4	5~9	10~19	20~50	1~4 pieces	5~9			10~19	20~50	
10	MFAS		5	50	60	70	80	90	100	2.00~4.97				
				6	50	60	70	80	90	100	2.00~5.97			
				8	50	60	70	80	90	100	3.00~7.97			
15	MFAL		5	60	70	80	90	100	2.00~4.97					
				8	60	70	80	90	100	3.00~7.97				
				10	60	70	80	90	110	3.00~9.97				
27	MFA		5	60	70	80	90	100	2.00~4.97					
				6	60	70	80	90	100	2.00~5.97				
				8	70	80	90	100	3.00~7.97					
32			10	70	80	90	100	110	3.00~9.97					

Order

Catalog No. — L — P  
MFAL 10 — 80 — P6.00

Days to Ship

Quotation

Quotation

Alterations

Catalog No. — L(LC) — P(PC) — (BC·HC·NTC·PKC)  
MFAL 10 — LC79 — P6.00

Alteration	Code	Spec.	1Code
	PC	Tip diameter change PC ≥ 0.50 (D=5) PC ≥ P <sub>min</sub> /2 (D=6~10) 0.01mm increments	Quotation
	BC	Tip length change Y+2 ≤ BC ≤ Bmax. BC ≤ L(LC) - 30 0.1mm increments	
	LC	L dimension change 0.1mm increments	

Alteration	Code	Spec.	1Code
	HC	Head diameter change D ≤ HC < D+2 0.1mm increments	Quotation
	NTC	Elimination of tip taper	
	PKC	Tip diameter tolerance change P + 0.01 ↔ + 0.005	

## ② Sensor units (2③④⑤⑥⑦⑧)

Catalog No.	Type	D	②				Type	⑤	Base unit price 1~4 sets	Volume discount unit price						
			Type	②	Type	⑤				5~9	10~19	20~50				
MF	WL	5	25	30	35	40	WF	10	15	20	25	Quotation				
			45	50	55	60							30	35	40	45
			65	70	50	60										
			10													

Order

Catalog No. — ② Type - ⑤  
MF 10 — WL 30 — WF 30

Days to Ship

Quotation

## ⑦ Component parts (Individual parts)

Part No.	Name	Catalog No.	Base unit price 1~4 pieces	Volume discount unit price
④	Relation pin	RB-N		
⑥	Plug for relation pin	NB		Quotation
⑦	Microswitch	Z-15GD55-B		
⑧	Protective cover	AP-Z		

Refer to the corresponding pages for details of the following components.

Part No.	Name	Catalog No.	Page
②	Spring for misfeed pin	WL	P.1401
③	Screw plug	MSW	P.819
⑤	Spring for relation pin	WF	P.1400

Part No.	Name	Catalog No.	Material	Part No.	Name	Catalog No.	Material
①	Misfeed pin	MFAS MFAL MFA	Equivalent to SKD11 H60~63HRC	⑤	Spring for relation pin	WF	P.1400
②	Spring for misfeed pin	WL	P.1401	⑥	Plug for relation pin	NB	S45C 34~43HRC
③	Screw plug	MSW	P.819	⑦	Microswitch	Z-15GD55-B	Made by OMRON
④	Relation pin	RB-N	SK4 Black oxide	⑧	Protective cover	AP-Z	Made by OMRON

Type	WL Spring constant 1N/mm (0.1kgf/mm)				WF Spring constant 0.5N/mm (0.05kgf/mm)				⑦ Microswitch (Z-15GD55-B)			
	D5		D6		D8		D10			Type	⑤	d
② WL	25	0.65	10	0.75	10	0.9	10	0.9	10	10	0.9	10
	30	0.7	12	0.8	12	0.9	12	0.9	12	12	0.9	12
	35	0.7	14	0.8	14	0.9	14	0.9	14	14	0.9	14
	40	0.7	16	0.8	16	0.9	16	0.9	16	16	0.9	16
	45	0.75	18	0.85	18	1.0	18	1.0	18	18	1.0	18
	50	0.75	20	0.85	20	1.0	20	1.0	20	20	1.0	20
	55	0.75	22	0.85	22	1.0	22	1.0	22	22	1.0	22
	60	0.8	24	0.9	24	1.0	24	1.0	24	24	1.0	24
	65	0.8	26	0.9	26	1.1	26	1.1	26	26	1.1	26
70	0.85	28	1.0	28	1.1	28	1.1	28	28	1.1	28	
③ MSW	M10xP1.5		M10xP1.5		M12xP1.5		M14xP1.5		⑤ WF	10*	0.35	4.5
										15*	0.4	6.7
										20*	0.4	9
										25*	0.45	11.2
										30*	0.45	13.5
										35	0.5	15.7
								40	0.5	18		
								45	0.5	20		
								50	0.5	22.5		
								60	0.5	27		

(\* For WF10~30, neither end is ground.) Spring load (N) = Spring constant (N/mm) × Deflection F (mm) (N) = kgf × 9.80665

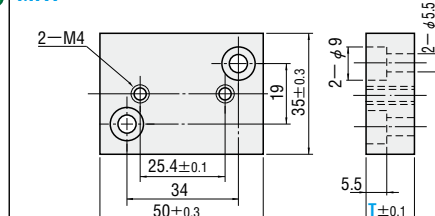
Order

Catalog No. — RB-N

Days to Ship

Quotation

## Microswitch mounting plates RoHS MFA



S45C Black oxide (Fe<sub>3</sub>O<sub>4</sub>)

## Standard for selecting thickness (T) of the microswitch mounting plate

The plate thickness must be decided assuming the use of a protective cover.

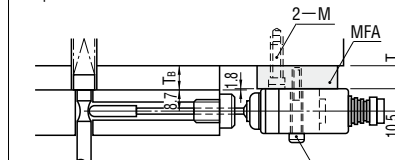


Plate thickness (T) = Backing plate thickness (T<sub>B</sub>) - 1.8  
Backing plate thickness (T<sub>B</sub>) Mounting plate thickness (T)

10	8.2
13	11.2
16	14.2
20	18.2

Catalog No.	Type	T	Base unit price 1~4 pieces	Volume discount unit price		
				5~9	10~19	20~50
MFA		8.2				
		11.2				
		12.1				
		14.2				
		18.2				

Order

Catalog No. — MFA 8.2

Days to Ship

Quotation