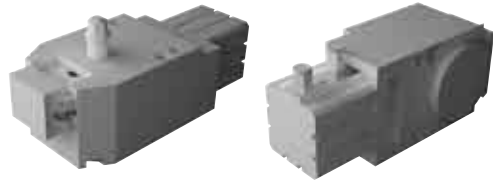


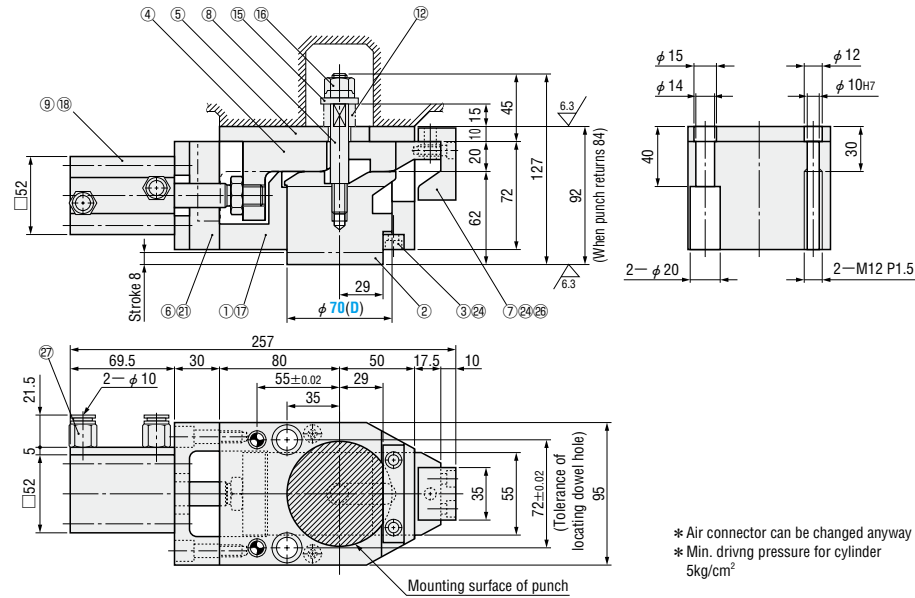
REMOVABLE PUNCH RETAINER UNITS

—AIR TYPE—

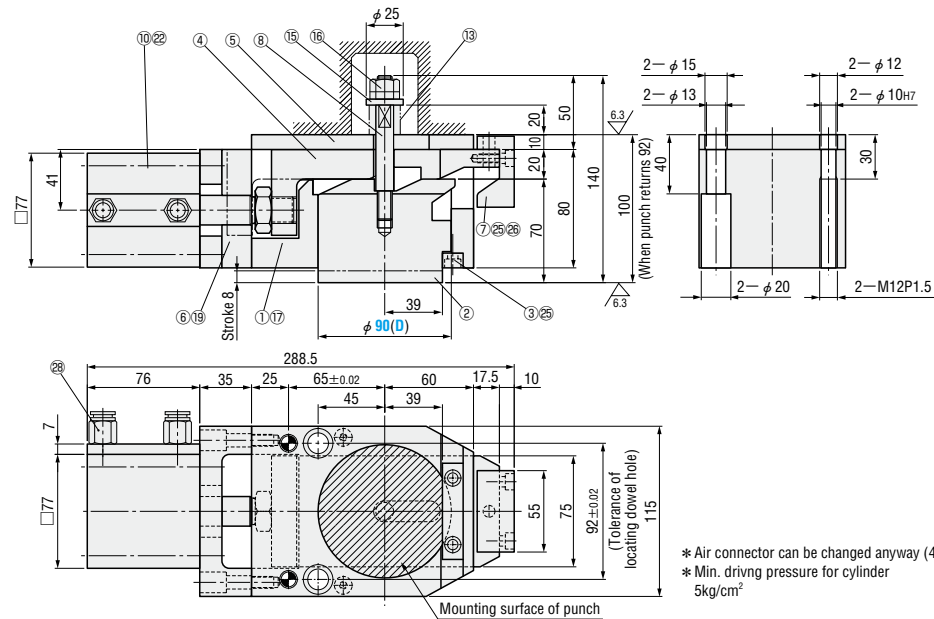


⑫⑬⑭ Spring		⑨⑩⑪ Cylinder stroke	Weight kg	Processing capacity	Bearing capacity
Initial load	Max. load				
96N {3.8kgf}	206N {21.0kgf}	30	12	40.8kN	5kg
124N {12.7kgf}	206N {21.0kgf}	30	18	58.4kN	6kg
218N {22.2kgf}	392N {40.0kgf}	50	25	164.3kN	10kg

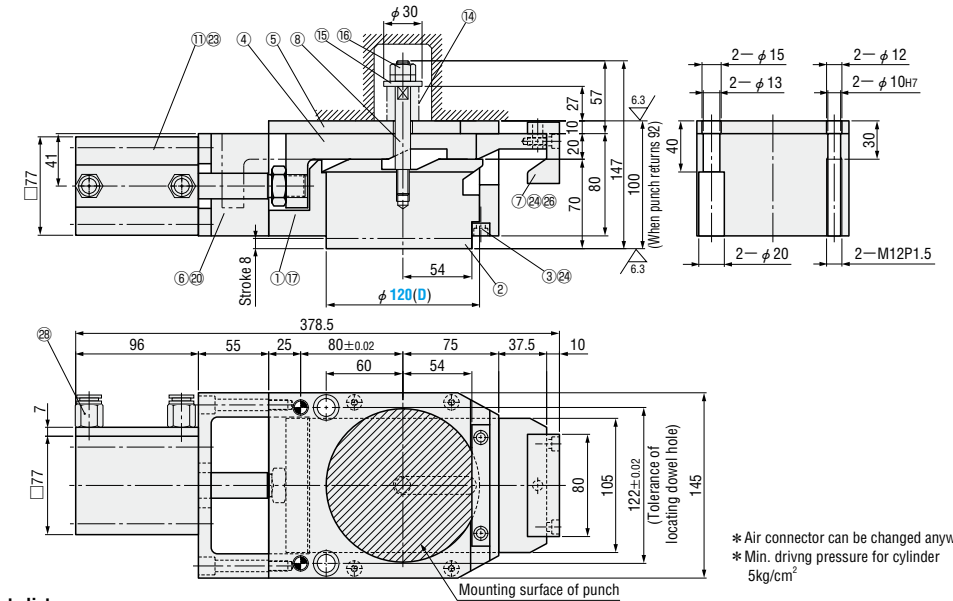
SLR 70



SLR 90



SLR 120



Components list

No.	Name	Qty.	Material & remarks	No.	Name	Qty.	Material & remarks
①	Sliding cover	1	Tempered S45C	⑮	Washer	1	Equivalent to SS400
②	Floating pin	1	S45C	⑯	Forced lock nut	1	S45C and for M10
③	Key	1	Tempered S45C	⑰	Small cross recessed flat head screw	2	M5×16
④	Sliding plate	1	S45C HRC50~	⑱	Hexagon socket head cap screw	4	M5×75 (For 70)
⑤	Backing plate of mould	1	Tempered S45C	⑲	Hexagon socket head cap screw	4	M8×30 (For 90)
⑥	Retainers	1	Equivalent to SS400	⑳	Hexagon socket head cap screw	4	M8×55 (For 120)
⑦	Forced reset plate	1	S45C HRC50~	㉑	Hexagon socket head cap screw	2	M8×30 (For 70)
⑧	Stud	1	Equivalent to SS400	㉒	Hexagon socket head cap screw	4	M8×80 (For 90)
⑨	Cylinder	1	Made in China (For 70)	㉓	Hexagon socket head cap screw	4	M8×95 (For 120)
⑩	Cylinder	1	Made in China (For 90)	㉔	Special hexagon socket head cap screw	4	M6×15 (For 70 and 120)
⑪	Cylinder	1	Made in China (For 120)	㉕	Special hexagon socket head cap screw	4	M6×16 (For 90)
⑫	Spring	1	SWR21-30 (For 70)	㉖	Dowel pin with female thread	1	φ8×18
⑬	Spring	1	SWR21-40 (For 90)	㉗	Connector with male thread	2	GWS10-6 (For 70)
⑭	Spring	1	SWR25-45 (For 120)	㉘	Connector with male thread	2	GWS10-8 (For 90 and 120)

⑫⑬⑭ Spring		⑨⑩⑪ Cylinder stroke	Weight kg	Catalog No.	(D)
Initial load	Max. load				
96N {3.8kgf}	206N {21.0kgf}	30	12	SLR	70
124N {12.7kgf}	206N {21.0kgf}	30	18		90
218N {22.2kgf}	392N {40.0kgf}	50	25		120



Alterations



Catalog No. — (LHC)
SLR70 — LHC

Alterations	Code	Spec.
	LHC	Change the provided quick-fittings to L type (elbow).
	S	Change the cylinder to SMC cylinder.



Order

Catalog No. (D)
SLR 70



Days to Ship

Quotation



Price

Quotation