



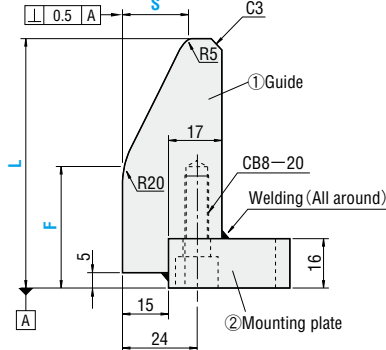
NEST GUIDES

—NO DOWEL PILOT HOLE·GUIDE R TYPE—

NEST GUIDES (WITH MOUNTING PLATES, CONFIGURABLE SHAPE)

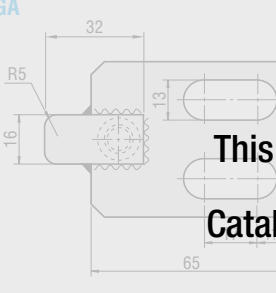
—REINFORCED TYPE—



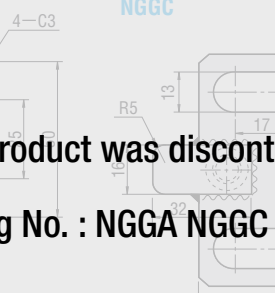



NGGBR


NGGA



NGGC



NGGBL




This product was discontinued in 2017.
Catalog No. : NGGA NGGC NGGBR NGGBL


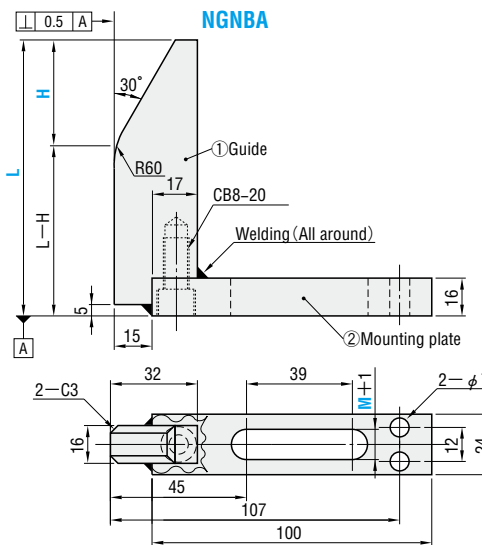
⦿ F is the dimension prior to R20 machining.
⦿ (L-F) ≥ 10

■ Mounting bolts and other accessories

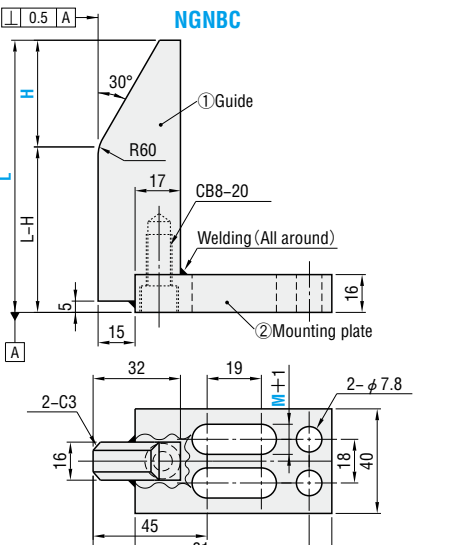
M	A
M12	CB12—35 (2 pcs.) Spring washer for M12 (2 pcs.)

Mounting orientation	Catalog No.	M
Center	NGGA NGGC	①S45C
R type	NGGBR	②SS400
L type	NGGBL	



NGNBA



NGNBC


⦿ H is the dimension at R60, before GRC machining.


■ Mounting bolts and other accessories


M	A
M10	CB10—35 (2 pcs.) Spring washer for M10 (2 pcs.)
M12	CB12—35 (2 pcs.) Spring washer for M12 (2 pcs.)

Ⓜ ①S45C
②SS400

Catalog No.	L	F 10mm increments	S	Base unit price 1~9 pieces
NGGA NGGC NGGBR NGGBL	60	20~50	15 20	Quotation
	80	20~70		
	100	20~90		
	120	20~110		
	140	20~130		
	160	20~150		
	180	20~170		
200	20~190			

Order  **Quotation**


Days to Ship  **Quotation**


Price  **Quotation**


Catalog No. — L — F — S
NGGA — 200 — 50 — 15

Catalog No.	L 5mm increments	H 5mm increments	Mounting bolt hole M	Base unit price 1~9 pieces
NGNBA NGNBC	65~100	20~40	M10 (M12)	Quotation
	105~150			
	155~200			


⦿ M12 can be used for NGNBA only.
⦿ The guide ① and the mounting plate ② are fastened by welding and bolting.
⦿ As the guide ① is made of S45C, it can be hardened by flame hardening by alteration HTC.


Order  **Quotation**

Days to Ship  **Quotation**





Price  **Quotation**

Catalog No. — L — H — M
NGNBA — 185 — 40 — M10

Price  **Quotation**

Alterations  **Quotation**

Catalog No. — L — H — M — (HTC-GRC-WSS-ENT)
NGNBA — 120 — 40 — M12 — HTC

Alteration	Code	Spec.	1Code
	HTC	①The guide is hardened. ⦿ ~ 45HRC	
	GRC	The corner R (R60) of the guide is reduced. R10 ~ 30 10mm increments	Quotation
	WSS	Provided spring washers are changed to washers for oblong holes WSS (2 pcs.). ⦿ Can be used for NGNBA only.	Quotation
	ENT	①The lower of a guide is extended. ②Height at the bottom is united with a mounting plate.	